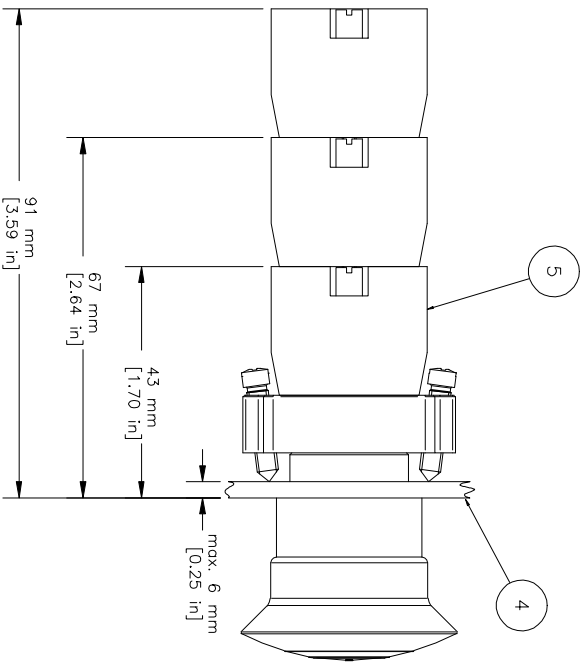
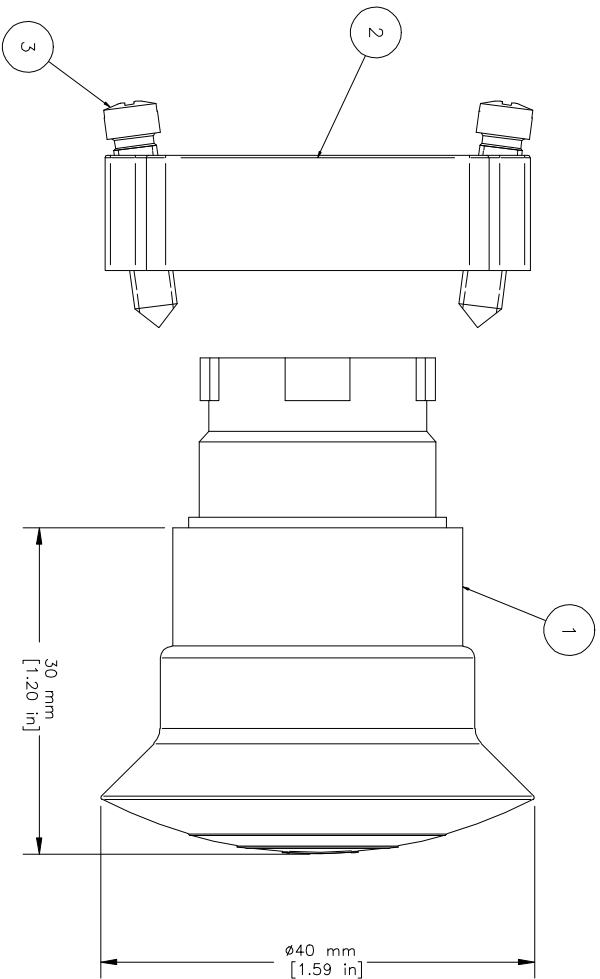
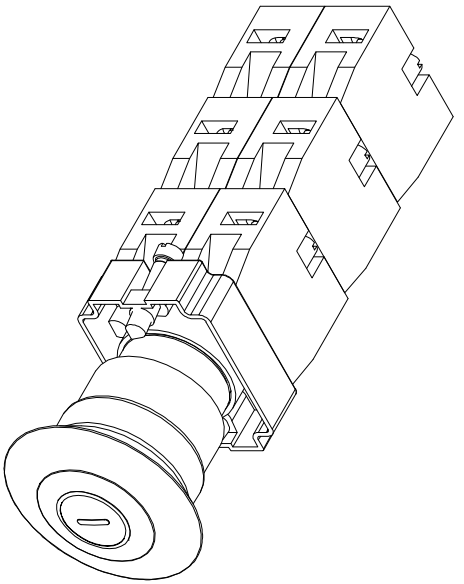


REVISIONS FOR DWG # 1PB-2AMPPx

REV	CH. NO.	DESCRIPTION	DATE	REVISED BY
-	-	ORIGINAL DESIGN	09/17/07	Phil E.



ITEM	DESCRIPTION	CAT. NO.	COLOR	MIN. QTY.	MAX. QTY.
1	Mushroom Push-Pull Operator (comes with mounting bracket 2BRK)	2AMP P1	White	1	1
		2AMP P2	Black	1	1
		2AMP P3	Green	1	1
		2AMP P4	Red	1	1
		2AMP P6	Blue	1	1
2AMP P8	Yellow	1	1		
2	Mounting Bracket	2BRK	-	1	1
3	Mounting Bracket Screws	Incl. in 2BRK	-	2	2
4	Panel	-	-	-	-
		S1	Green	1	6
S2	Red	1	6		
S3	Green/Gray	1	6		
S4	Red/Gray	1	6		
5	Switch Contacts				

UNLESS OTHERWISE SPECIFIED  
 • ALL DIMENSIONS ARE IN MILLIMETERS  
 • THIRD ANGLE PROJECTION

TOLERANCE

XX	±1 mm
XX X	±0.5 mm
XX.XX	±0.2 mm
ALL	- mm

This Drawing is the property of  
**Attech Corp.**  
 35 Royal Road  
 Flemington NJ 08822-6000  
 (908) 806-9400 • Fax (908) 806-9490

AND IS A CONFIDENTIAL DISCLOSURE  
 LENT WITHOUT CONSIDERATION OTHER  
 THAN THE BORROWER'S AGREEMENT  
 THAT IT SHALL NOT BE REPRODUCED,  
 COPIED, LENT, OR DISPOSED OF  
 DIRECTLY OR INDIRECTLY NOR USED  
 FOR ANY PURPOSE OTHER THAN THAT  
 FOR WHICH IT IS SPECIFICALLY  
 FURNISHED.

TITLE: 22mm Non-Illuminated Mushroom Push-Pull  
 Metal Operators 2AMPPx (x=color)

DRAWN BY: Philipp Ernstberger 09/17/07  
 CHECKED BY: Laszlo Gyorgypal 09/17/07  
 RELEASED BY: Laszlo Gyorgypal 09/17/07

DRAWING NO.: 1PB-2AMPPx  
 SCALE: - SHEET: 1 OF: 1

REV: -

M-H-R-C