

| Certification | Mounting |
|---------------|----------|
|---------------|----------|

UL. Wet Location. Max. weight: 32 lbs.
 Installation: Pedestal mount. Min. 24" above grade. 4" Octagonal sealed electrical box.
 Separate gasketed installation plate with additional muting holes.

| Specification | LX170 . LX174 |
|---------------|---------------|
|---------------|---------------|

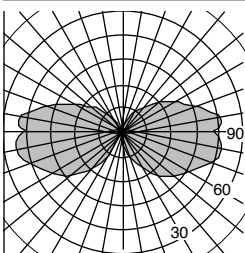
All exposed cast aluminum components are made of non corrosive pure aluminum copper free (Aluminum is less than .1% copper content.#356 alloy.)
 Finish: All polyester powder baked coatings preceded with a 5 baths preparation process. Meets military grade MIL-C781706 with a 2000 hours salt spray test.

- Pulse rated medium base porcelain socket.
- 75W/600V thermoplastic compact fluorescent socket.
- One-piece molded silicone gasket with memory retention.
- High power factor CWA ballast. Or 98% P.F. electronic smart ballast with end of life detection for compact fluorescent.
- All stainless steel hardware.
- All Moving and removable parts are sealed with a memory retention silicone gasket.
- Cast aluminum swing out hinge mechanism for quick maintenance access.

- 1 - One piece copper free cast aluminum pyramid housing available with closed or open luminous faces.
- 2 - White translucent high impact frosted acrylic triangular lens diffuser.
- 3 - Heavy wall borosilicate frosted glass diffuser with inner linear prismatic pattern for structural reinforcement.
- 4 - Stainless steel captive hexagonal cap screws.
- 5 - White translucent frosted high impact acrylic perimeter lens diffuser
- 6 - Cast aluminum isolated ballast compartment.
- 7 - Casketed aluminum mounting plate.

LX170: Enclosed pyramid top housing perimeter general lighting
LX174: Pyramid top housing with quad triangular openings and perimeter general lighting

Photometry

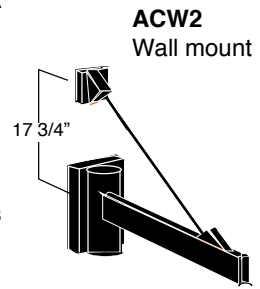
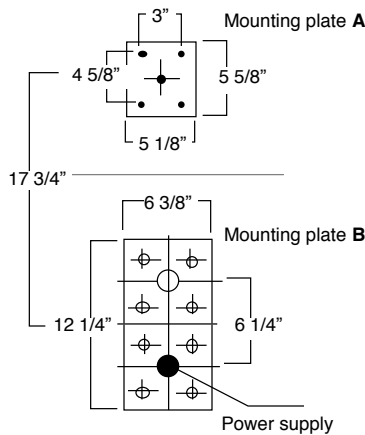
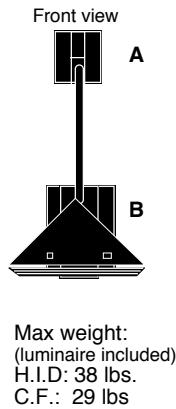
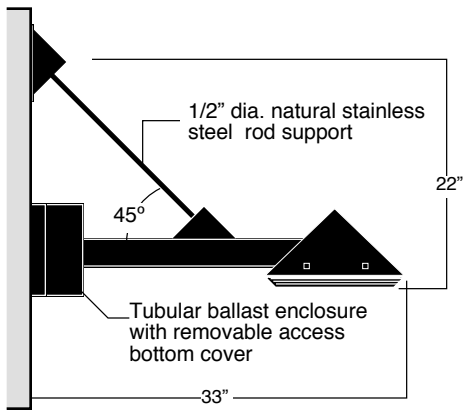


Separate updated technical specification sheets with related models and light sources with I.E.S formatted photometry are available on www.luminis.com.

For options details and specifications, please refer to pages 42 .

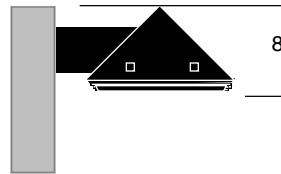
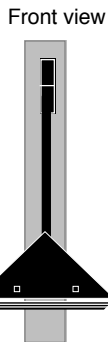
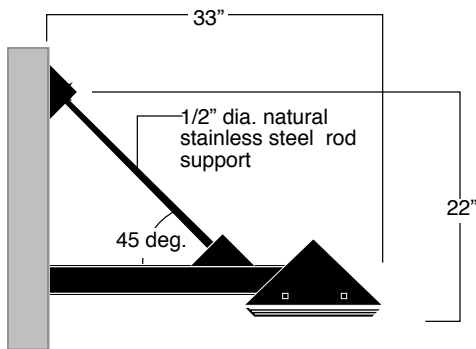
| Model# | Light source selection | Voltage | Finish | Options | | | | | | | | | | | | | | | | | | | | |
|--|---|------------------|-------------------|------------------------------|-------------------------------|-------------------------------|-------------------------------|--|-------------------------------|--|-------------------------------|-------------------|-------------------|------------------------------|-------------------------------|-------------------------------|-------------------------------|--|-------------------------------|--|-----------------|---|---|--|
| <input type="checkbox"/> LX170 <input type="checkbox"/> LX174 | <p style="font-size: small; margin: 0;">Best results with H.I.D. coated lamps</p> <table style="width: 100%; border: none;"> <tr> <td style="background-color: black; color: white; padding: 2px;">MH (ED17)</td> <td style="background-color: black; color: white; padding: 2px;">CF (Gx24q)</td> </tr> <tr> <td style="padding: 2px;"><input type="checkbox"/> M70</td> <td style="padding: 2px;"><input type="checkbox"/> F132</td> </tr> <tr> <td style="padding: 2px;"><input type="checkbox"/> M100</td> <td style="padding: 2px;"><input type="checkbox"/> F142</td> </tr> <tr> <td></td> <td style="padding: 2px;"><input type="checkbox"/> F157</td> </tr> <tr> <td></td> <td style="padding: 2px;"><input type="checkbox"/> F170</td> </tr> <tr> <td style="background-color: black; color: white; padding: 2px;">HPS (ED17)</td> <td style="background-color: black; color: white; padding: 2px;">CF (Gx24q)</td> </tr> <tr> <td style="padding: 2px;"><input type="checkbox"/> H70</td> <td style="padding: 2px;"><input type="checkbox"/> F226</td> </tr> <tr> <td style="padding: 2px;"><input type="checkbox"/> H100</td> <td style="padding: 2px;"><input type="checkbox"/> F232</td> </tr> <tr> <td></td> <td style="padding: 2px;"><input type="checkbox"/> F242</td> </tr> <tr> <td></td> <td style="background-color: black; color: white; padding: 2px;">Two lamp</td> </tr> </table> | MH (ED17) | CF (Gx24q) | <input type="checkbox"/> M70 | <input type="checkbox"/> F132 | <input type="checkbox"/> M100 | <input type="checkbox"/> F142 | | <input type="checkbox"/> F157 | | <input type="checkbox"/> F170 | HPS (ED17) | CF (Gx24q) | <input type="checkbox"/> H70 | <input type="checkbox"/> F226 | <input type="checkbox"/> H100 | <input type="checkbox"/> F232 | | <input type="checkbox"/> F242 | | Two lamp | <p>120 V Standard factory prewired (If no voltage is specified) For other voltages, please specify with catalog number.</p> <p style="background-color: black; color: white; padding: 2px; margin: 5px 0;">H.I.D.</p> <p><input type="checkbox"/> 208 V <input type="checkbox"/> 240 V <input type="checkbox"/> 277 V <input type="checkbox"/> 347 V</p> <p style="background-color: black; color: white; padding: 2px; margin: 5px 0;">COMP. FLUO.</p> <p>Smart ballast 120/277 <input type="checkbox"/> 347 V (To specify)</p> | <p>(Refer to color chart)</p> <p style="background-color: black; color: white; padding: 2px; margin: 5px 0;"><u>Standard selection</u></p> <p><input type="checkbox"/> WHT: Snow white <input type="checkbox"/> BKT: Jet black <input type="checkbox"/> BZT: Bronze <input type="checkbox"/> GRT: Titanium gray <input type="checkbox"/> DGT: Gun metal <input type="checkbox"/> CHT: Champagne <input type="checkbox"/> MST: Matte silver <input type="checkbox"/> GNT: Forest green</p> <p style="background-color: black; color: white; padding: 2px; margin: 5px 0;"><u>Optional colors</u></p> <p><input type="checkbox"/> CS: Custom color <input type="checkbox"/> RAL: RAL# color</p> | <p style="background-color: black; color: white; padding: 2px; margin: 5px 0;">Electrical</p> <p><input type="checkbox"/> FS: Fuse <input type="checkbox"/> PH1: 120/277V photo cell <input type="checkbox"/> PH2: 347V photo cell <input type="checkbox"/> EM42S: 1 lamp (26/32/42W) EM battery.</p> <p style="font-size: small; margin-top: 10px;">Note: EM optional battery test switch and pilot lamp are installed remotely. (Refer to page 72)</p> |
| MH (ED17) | CF (Gx24q) | | | | | | | | | | | | | | | | | | | | | | | |
| <input type="checkbox"/> M70 | <input type="checkbox"/> F132 | | | | | | | | | | | | | | | | | | | | | | | |
| <input type="checkbox"/> M100 | <input type="checkbox"/> F142 | | | | | | | | | | | | | | | | | | | | | | | |
| | <input type="checkbox"/> F157 | | | | | | | | | | | | | | | | | | | | | | | |
| | <input type="checkbox"/> F170 | | | | | | | | | | | | | | | | | | | | | | | |
| HPS (ED17) | CF (Gx24q) | | | | | | | | | | | | | | | | | | | | | | | |
| <input type="checkbox"/> H70 | <input type="checkbox"/> F226 | | | | | | | | | | | | | | | | | | | | | | | |
| <input type="checkbox"/> H100 | <input type="checkbox"/> F232 | | | | | | | | | | | | | | | | | | | | | | | |
| | <input type="checkbox"/> F242 | | | | | | | | | | | | | | | | | | | | | | | |
| | Two lamp | | | | | | | | | | | | | | | | | | | | | | | |
| | ● (Lamps by others) | ● | ● | ● | | | | | | | | | | | | | | | | | | | | |

luminaires may be altered for design improvements or discontinued without prior notice.



LX120-ACW2 Compact fluorescent
LX124-ACW2 H.I.D

Extruded aluminum wall mounted adaptor . 5" dia.x 12 3/4" lg. tubular ballast enclosure with removable cover for access to ballast tray. Cast aluminum wall mounted plate. 1/2" dia.stainless steel rod support. Extruded arm and all other parts are painted same color as luminaire .



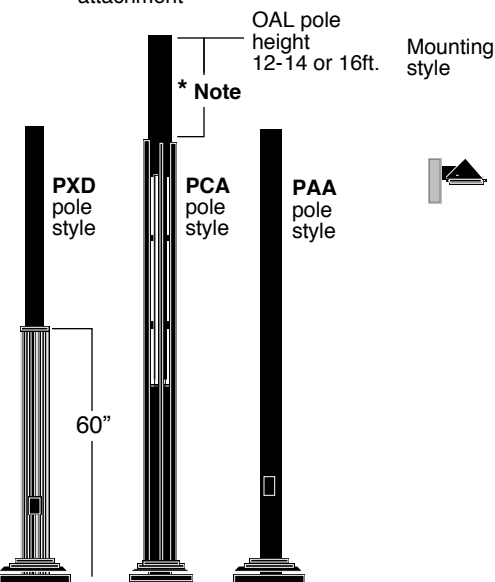
LX150-PC Compact fluorescent
LX150-PH H.I.D

E.P.A.: .74
Extruded aluminum side pole mounting adaptor. 2" X 4" Extruded arm and all other parts are painted same color as luminaire..

LX120-ACA2 Compact fluorescent
LX124-ACA2 H.I.D

E.P.A.: 2.0
Extruded aluminum side pole mounting adaptor. 1/2" dia. stainless steel natural rod support. Extruded arm and all other parts are painted same color as luminaire.

* Note: 36" extension with ACA2 attachment
24" extension with LX150PC / LX150PH attachment



Post side mount for LX150PC
(For Luxor Compact Fluorescent.)

| 4"O.D. | 5"O.D. | 4"O.D. | 4"O.D. |
|------------|------------|-----------|-----------|
| PAA410-APC | PAA510-APC | | PXD10-APC |
| PAA412-APC | PAA512-APC | PCA12-APC | PXD12-APC |
| PAA414-APC | PAA514-APC | PCA14-APC | PXD14-APC |
| PAA416-APC | PAA516-APC | PCA16-APC | PXD16-APC |
| PAA418-APC | PAA518-APC | | PXD18-APC |
| PAA420-APC | PAA520-APC | | PXD20-APC |

Post side mount for LX150PH
(For Luxor HID.)

| 5"O.D. | Pole height |
|------------|-------------|
| PAA510-APC | 10 ft |
| PAA512-APC | 12 ft |
| PAA514-APC | 14 ft |
| PAA516-APC | 16 ft |
| PAA518-APC | 18 ft |
| PAA520-APC | 20 ft |

Post side mount with ACA2 attachment accessory

Post top mounting for LX120-ACA2 and LX124-ACA2

| | |
|------------|-------|
| PAA514-ACA | 14 ft |
| PAA516-ACA | 16 ft |
| PAA518-ACA | 18 ft |
| PAA520-ACA | 20 ft |

For poles details and specification, please refer to pages 140 to 144

luminaires may be altered for design improvements or discontinued without prior notice.