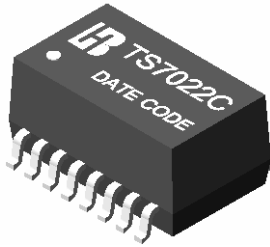


10 BASE-T SMD ETHERNET TRANSFORMER

P/N:TS7022C DATA SHEET

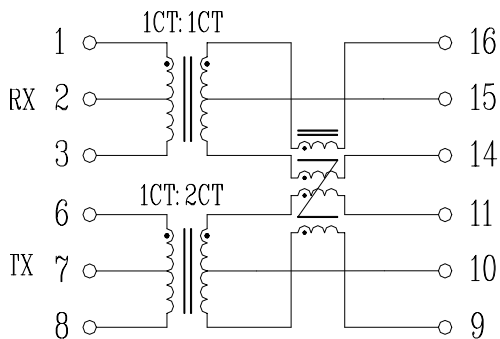
Feature



- Single-port modules available with and without common mode chokes.
- Conforms to IEEE 802.3 standards.
- Low profile, surface mount packaging rated to 225°C peak IR reflow temperature.
- Operating temperature range: 0°C to +70°C.
- Storage temperature range: -25°C to +125°C.

Electrical Specifications @ 25°C						
Part Number	Turns Ratio(±5%)		OCL(uH Min) @100KHz/50mV		PRI Pins	HI-POT (Min Vrms)
	RX	TX	RX	TX		
TS7022C	1CT:1CT	1CT:2CT	110	28	(1-3)&(6-8)	1500
Continue						
Part Number	Insertion Loss (dBMax)	Return Loss (dB Min)	Cross talk(dB Min)	DCMR(dB Min)		
	1-10 MHz	1-10 MHz	1-10 MHz	10-30 MHz	100MHz	
TS7022C	-1.0	-18	-40	-40	-30	

Schematic



Mechanical

