



Frontier Electronics Corp.

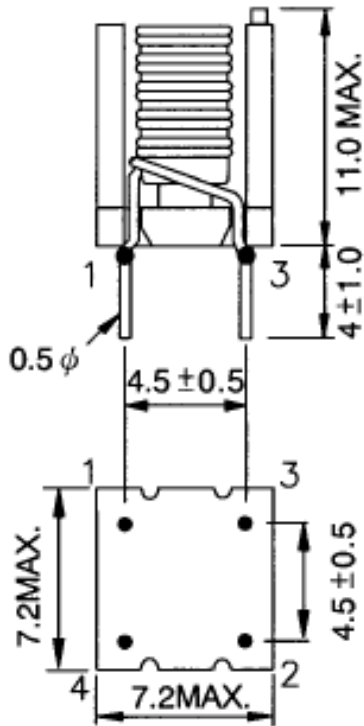
667 E. COCHRAN STREET, SIMI VALLEY, CA 93065
 TEL: (805) 522-9998 FAX: (805) 522-9989
 E-mail: frontiersales@frontierusa.com
 Web: frontierusa.com

Common Mode Line Filters—3702-461

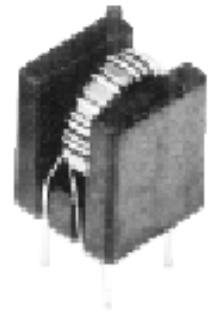
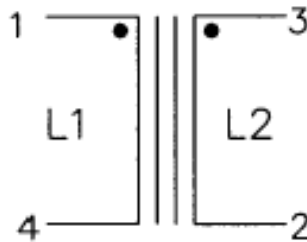
A. Specifications:

| Part Number | Inductance (uH) $\pm 25\%$ | Test Condition | /L1-L2/ (uH) Max. | DCR Max. (OHMS) | Rated Current (mA) RMS. |
|-------------|----------------------------|----------------|-------------------|-----------------|-------------------------|
| 3702-461 | 460 | 100K/1.0V | 30 | 0.10 | 500 |

B. Mechanical Dimensions: (Unit: mm)



UNIT : mm



C. General information:

1. Insulation Resistance: 10 MΩ minimum @ 100Vdc.
2. Rated Voltage (V): 50V.
3. Electrical specifications at 25°C.
4. Temperature Rise: 40°C.
5. Operating temperature: -25°C TO + 85°C.

★ Custom specifications are available.

Note: **RoHS** compliant; for the **ROHS** parts, we add “-LFR” at the end of the P/N.