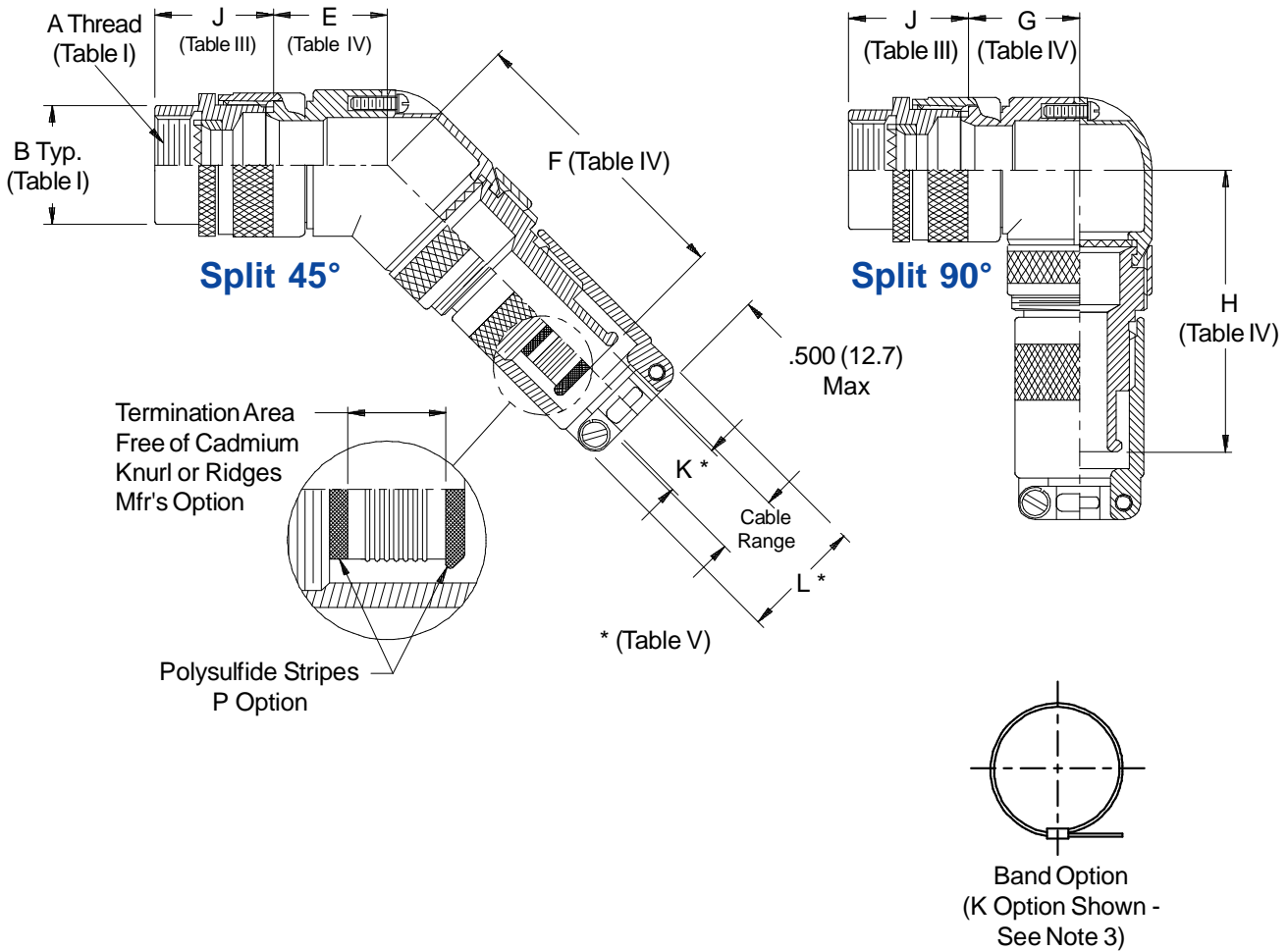
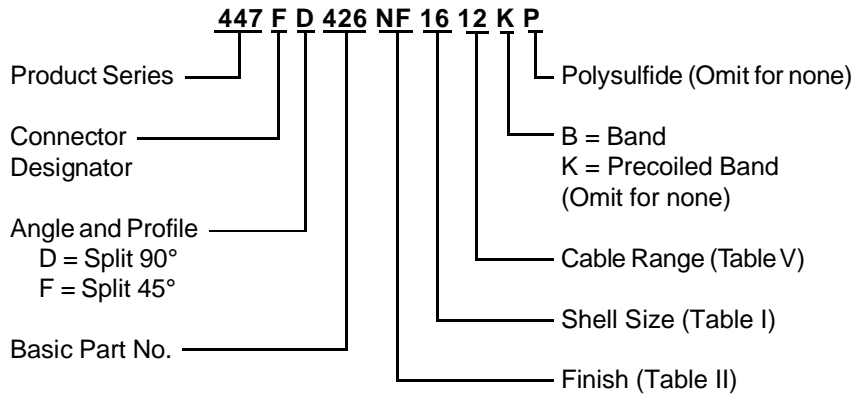


CONNECTOR DESIGNATORS
A-B*-C-D-E-F
G-H-J-K-L-S
 * Conn. Desig. B See Note 2
DIRECT COUPLING



See inside back cover fold-out or
pages 13 and 14 for Tables I and II.

TABLE III: FRONT ADAPTER			
Shell Size	J Max - Conn. Designator		
	A-E-F J-H-L-S	D-B-G-K	C
08/09	1.180 (30.0)	1.250 (31.8)	
10/11	1.180 (30.0)	1.250 (31.8)	
12/13	1.180 (30.0)	1.250 (31.8)	1.735 (44.1)
14/15	1.180 (30.0)	1.250 (31.8)	1.915 (48.6)
16/17	1.380 (35.0)	1.560 (39.6)	1.915 (48.6)
18/19	1.380 (35.0)	1.560 (39.6)	1.915 (48.6)
20/21	1.380 (35.0)	1.560 (39.6)	1.915 (48.6)
22/23	1.380 (35.0)	1.560 (39.6)	1.915 (48.6)
24/25	1.380 (35.0)	1.560 (39.6)	1.915 (48.6)
28/29	1.610 (40.9)	1.560 (39.6)	1.915 (48.6)
32/33	1.610 (40.9)	1.750 (44.5)	1.915 (48.6)
36	1.610 (40.9)	1.750 (44.5)	1.915 (48.6)
40	1.610 (40.9)	2.190 (55.6)	1.915 (48.6)

TABLE IV: ELBOW DIMENSIONS								
Elbow Size	E Max	F Max	G Max	H Max				
10/12	.500 (12.7)	1.870 (47.5)	.750 (19.1)	1.810 (46.0)				
14	.560 (14.2)	1.940 (49.3)	.810 (20.6)	1.880 (47.8)				
16/18	.680 (17.3)	2.070 (52.6)	.930 (23.6)	2.010 (51.1)				
20	.750 (19.1)	2.130 (54.1)	1.000 (25.4)	2.070 (52.6)				
22	.820 (20.8)	2.190 (55.6)	1.060 (26.9)	2.130 (54.1)				
24	.880 (22.4)	2.250 (57.2)	1.120 (28.4)	2.190 (55.6)				
28	.940 (23.9)	3.100 (78.7)	1.180 (30.0)	2.250 (57.2)				
32	.990 (25.1)	2.400 (61.0)	1.340 (34.0)	2.410 (61.2)				

TABLE V: CABLE RANGE							
Dash No.	K		L Max	Cable Range			
	±.030	±(.8)		Min		Max	
10	.220	(5.6)	1.000 (25.4)	.130 (3.3)	.250 (6.4)		
12	.310	(7.9)	1.250 (31.8)	.250 (6.4)	.380 (9.7)		
14	.440	(11.2)	1.340 (34.0)	.310 (7.9)	.440 (11.2)		
16	.560	(14.2)	1.470 (37.3)	.375 (9.5)	.630 (16.0)		
18	.630	(16.0)	1.560 (39.6)	.560 (14.2)	.690 (17.5)		
20	.750	(19.1)	1.620 (41.1)	.630 (16.0)	.750 (19.1)		
22	.880	(22.4)	1.750 (44.5)	.750 (19.1)	.880 (22.4)		
24	1.000	(25.4)	1.870 (47.5)	.880 (22.4)	1.000 (25.4)		
28	1.060	(26.9)	1.970 (50.0)	1.000 (25.4)	1.130 (28.7)		
32	1.190	(30.2)	2.090 (53.1)	1.130 (28.7)	1.250 (31.8)		

1. Metric dimensions (mm) are indicated in parentheses.
2. When using Connector Designator B refer to pages 18 and 19 for part number development.
3. Backshells supplied with 600-052-* band, see Glenair Series 600 Tool Catalog for installation.