

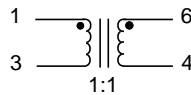
## EPA3774GE

- 6 Pin SMD Package •
- 2000 Vrms Isolation •
- Operating Temperature : -40°C to +85°C •

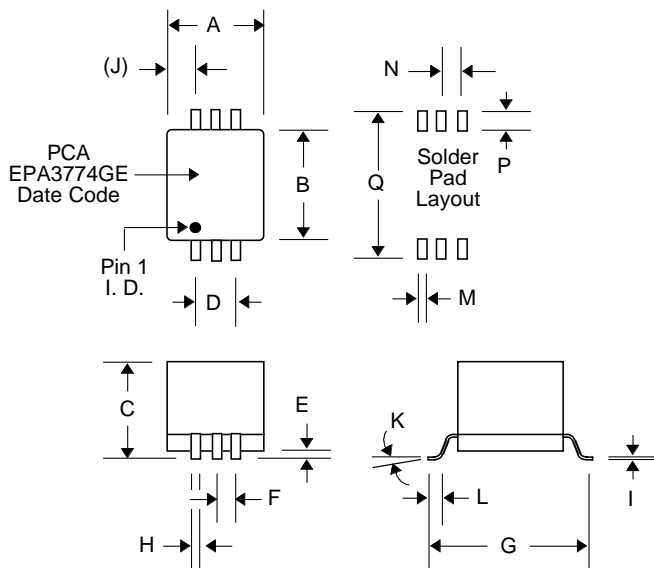
### Electrical Parameters @ 25° C

Open Circuit Inductance (mH Typ.)	DCR ( $\Omega$ Max.)	Vt (V- $\mu$ Sec.)
@ 100 KHz, 0.1 Vrms (Pins 1-3)	(Pins 1-3, 6-4)	---
2.0	1.0	34

### Schematic



### Package



### Dimensions

Dim.	(Inches)			(Millimeters)		
	Min.	Max.	Nom.	Min.	Max.	Nom.
A	.340	.360	.350	8.64	9.14	8.89
B	.360	.380	.370	9.14	9.65	9.40
C	.230	.250	.240	5.84	6.35	6.10
D	---	---	.200	---	---	5.08
E	.010	.015	.013	.254	.381	.318
F	---	---	.100	---	---	2.54
G	.455	.475	.465	11.56	12.07	11.81
H	.016	.022	.020	.406	.559	.508
I	.008	.012	.010	.203	.305	.254
(J)	---	---	.075	---	---	1.91
K	0°	8°	---	0°	8°	---
L	.025	.045	.035	.635	1.14	.889
M	---	---	.030	---	---	.762
N	---	---	.100	---	---	2.54
P	---	---	.055	---	---	1.40
Q	---	---	.510	---	---	12.95