

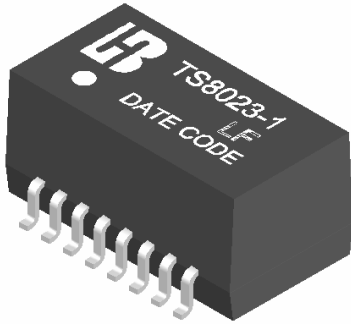


TS8023-1 LF

10 BASE-T SMD ETHERNET TRANSFORMER

P/N:TS8023-1 LF DATA SHEET

Feature

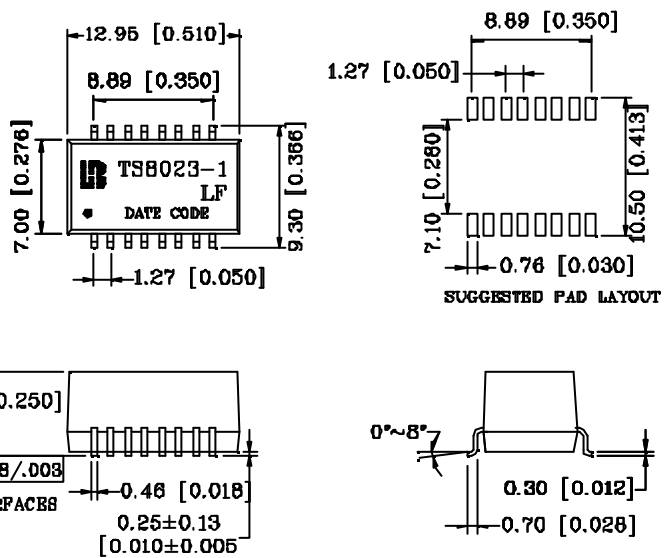
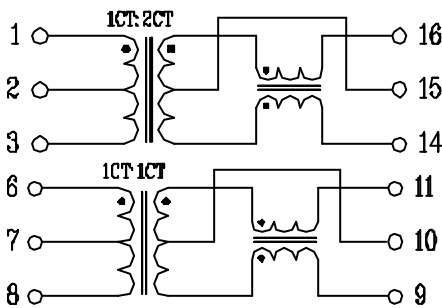


- Designed for use in (can) car area network.
- Dual channel low cost.
- Comply with RoHS requirements-whole part No Cd, No Hg, No Cr6+, No PBB and PBDE and No Pb on external pins.
- Comply with Air reflow profile of JEDEC 020C.
- Operation temperature range: 0 to +70 .
- Storage temperature range: -25 to +125 .

Electrical Specifications @ 25°C							
Part Number	Turns Ratio (±5%)		PRI OCL @100KHz/50mVrms (uH Min)	L.L (uH Max)	C <sub>ww</sub> (pFMax)	DCR ( Max)	HI-POT (Vrms)
	(1-2-3):(16-15-14)	(6-7-8):(11-10-9)	(1-3)&(6-8)			(1-3)&(6-8)	
TS8023-1 LF	1CT:2CT	1CT:1CT	200	0.3	12	1.0	1500

Schematic

Mechanical



Units: mm[Inches] Tolerances: xx.x0±0.25[0.010]  
 0.xx±0.05[0.002]