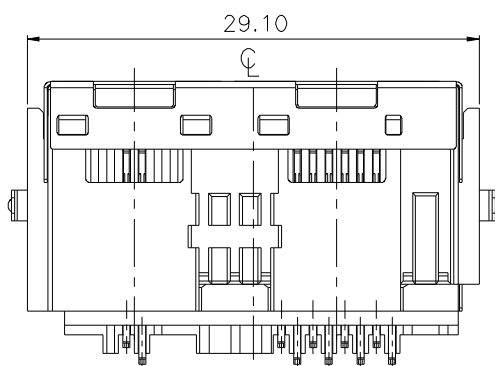
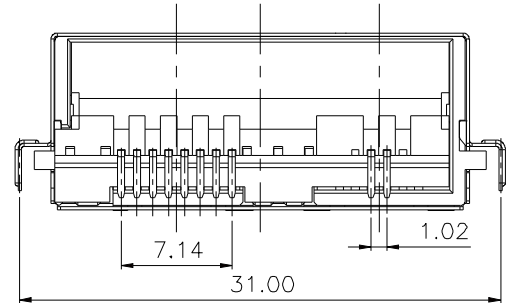
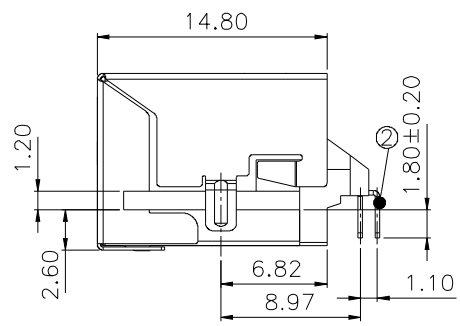
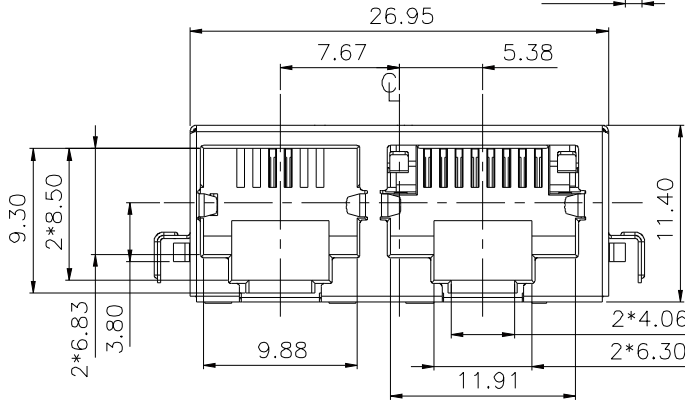
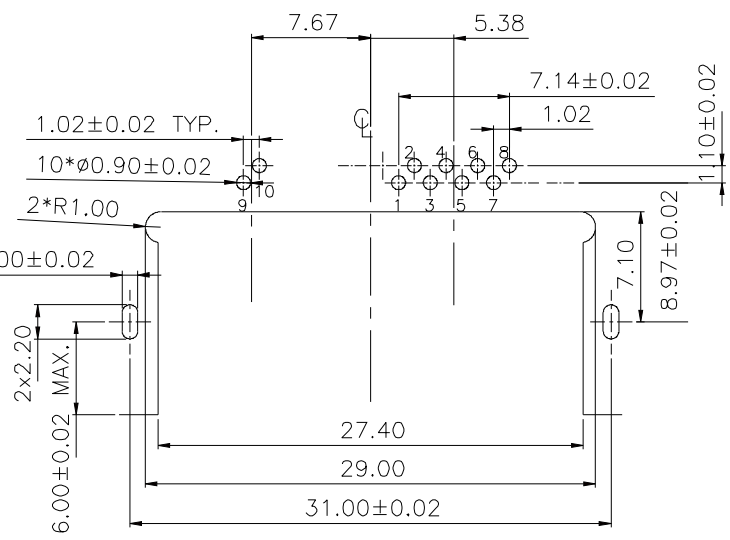
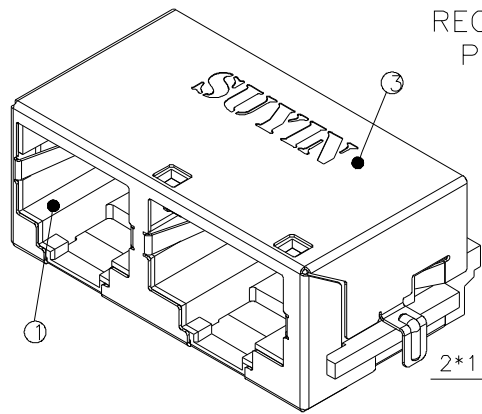
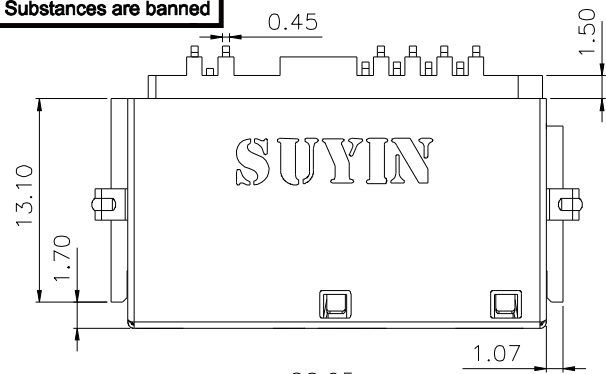




RoHS Compliant
2002/95/EC
HSF

Level-1 Controlled Substances are banned

RECOMMENDED P.C.B.LAYOUT (COMPONENT SIDE)
P.C.B THICKNESS=1.20mm (TOLERANCE=±0.05)
WITHOUT LOCKING FUNCTION



P/N:100052FR010SX09ZL

CONTACT PLATED:
S1-05u"MIN.GOLD IN CONTACT AREA/
100u"MIN.TIN IN SOLDER AREA.
S2-GOLD FLASH IN CONTACT AREA/
100u"MIN.TIN IN SOLDER AREA.
S3-10u"MIN.GOLD IN CONTACT AREA/
100u"MIN.TIN IN SOLDER AREA.
S4-15u"MIN.GOLD IN CONTACT AREA/
100u"MIN.TIN IN SOLDER AREA.
S5-30u"MIN.GOLD IN CONTACT AREA/
100u"MIN.TIN IN SOLDER AREA.

BLACK VIEW
=====

NO.	DESCRIPTION	MATERIAL	COLOR	REMARK
3	SHELL	COPPER ALLOY		NICKEL PLATED
2	TERMINAL	COPPER ALLOY		SELECTIVE GOLD/TIN
1	HOUSING	HIGH TEMP PLASTIC	BLACK	UL94V-0



CUSTOMER COPY	TITLE: RJ JACK CONNECTOR			
	PART NO. 100052FR010SX09ZL			
	PRODUCT SPEC. 100052FR SERIES			
FILE NAME.	100052FR010SX09ZL-C			
SCALE	2:1	UNIT:mm	A4	SHEET: 1 of 2

ECN(DCN) NO.	REV	DATE	DESCRIPTION	CHANGE	APPRO.	GENERAL TOLERANCE UNLESS OTHERWISE NOTED	APPRO.	DATE
	0		NEW RELEASE	羅 凡 鄭家奇		Angle ±2° 30 ~ ±0.50	DRAW	羅 凡 08'/01/09
	P0	07'/08/15	NEW	羅 凡 鄭家奇		10 ~ 30 ±0.30	DESIGN	羅 凡 08'/01/09
						~ 10 ±0.15	CHECK	羅志兵 08'/01/09
							APPRO.	鄭家奇 08'/01/09

Original:Draw:羅 凡 Design:羅 凡 Check:羅志兵 Appro:鄭家奇 發行日期:07'/08/15

070815-BB066