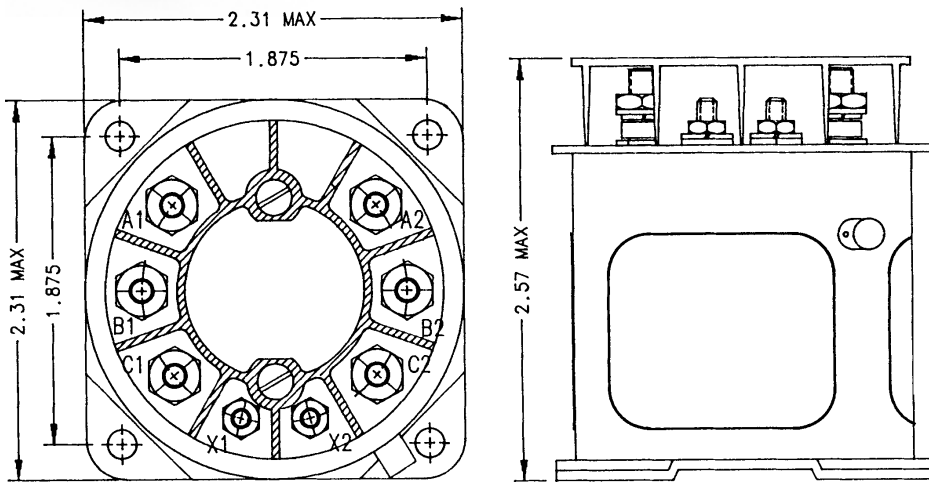


**CR-21A 3PST N.O., Double Break, 5 Amps,  
440 VAC, 60 Hz, 380 VAC, 50 Hz**

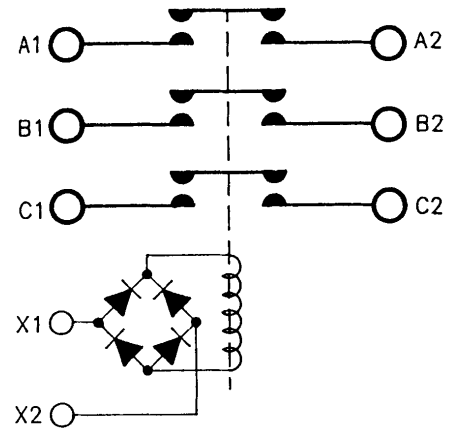


Dimensions for this product are expressed in inches. Multiply values by 25.4 for millimeters.

**Features:**

- 3PST N.O. Double Break Main Contacts
- AC Coil
- 440 VAC, 60 Hz or 380 VAC, 50 Hz
- 5 Amps
- High Reliability
- Meets many requirements of MIL-R-6106
- Light Weight Construction

**CONTACTOR CONFIGURATION**



**Notes:**

PRODUCT SPECIFICATIONS	
Construction	Gasket Sealed, Vented
Main Contacts:	
Configuration	3PST N.O.
Voltage (Nominal)	440 VAC, 60 Hz, 380 VAC, 50 Hz
Current (Resistive)	5 Amps
Coil Data:	
Duty Cycle	Continuous
Voltage (Nominal)	90 - 125 VAC, 60 Hz
Pick-Up Voltage	90 VAC Maximum
Drop-Out Voltage	15 - 50 VAC
Coil Current @ 125 VAC & +25°C	
In-Rush	.48 Amp
Hold	.48 Amp
Operating Temperature	-55°C to +71°C
Life:	
Electrical	50,000 Cycles
Mechanical	100,000 Cycles
Weight	6.8 Oz.

For factory-direct application assistance, contact the HARTMAN product team at (419) 521-9500, Fax (419) 526-2749.

© 2004 by Tyco Electronics Corporation. All Rights Reserved. HARTMAN and TYCO are trademarks.