

47 μ F AC-Coupling Capacitor Low Voltage Video Driver with LPF

■GENERAL DESCRIPTION

The **NJM2512A** is a Low Voltage Video Amplifier featuring small AC-coupling Capacitor.

The NJRC original Technology "ASC(Advanced SAG Correction)" realizes 47 μ F AC-Coupling Capacitor which enables to downsize mounting space.

No worrying about beat noise caused by charge-pump circuit, and over-current caused by circuit short out than Capacitor-less video driver.

The **NJM2512A** is suitable for any video application.

NJM2512: Gain=6dB

NJM2512A : Gain=12dB

■PACKAGE OUTLINE

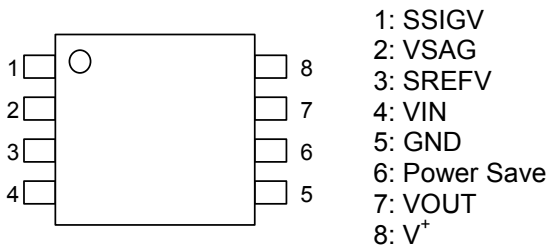


NJM2512ARB1

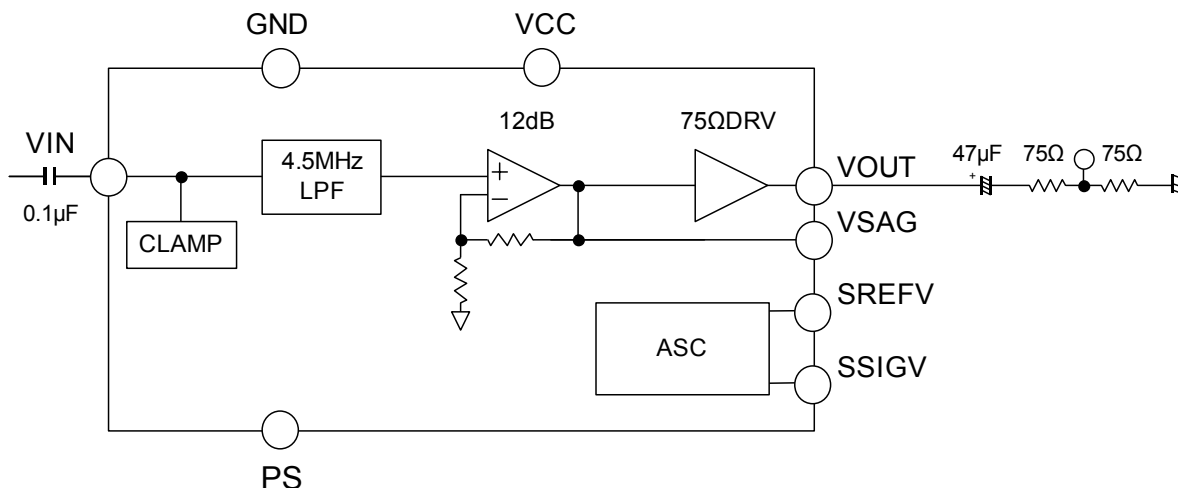
■FEATURES

- Operating Voltage 3.0 to 5.5V
- AC-Coupling capacitor 47 μ F
- 6dB Amplifier
- 75 Ω Driver
- Internal LPF 0dBtyp.at 4.5MHz
 -33dBtyp.at 19MHz
- Power-save Circuit
- Bipolar Technology
- Package Outline TVSP8

■PIN CONNECTION



■BLOCK DIAGRAM



Ver.0

NJM2512A

■ABSOLUTE MAXIMUM RATINGS (Ta=25°C)

PARAMETER	SYMBOL	RATINGS	UNIT
Supply Voltage	V ⁺	7.0	V
Power Dissipation	P _D	580(Note1)	mW
Operating Temperature Range	Topr	-40 to +85	°C
Storage Temperature Range	Tstg	-40 to +150	°C

(Note1) At on a board of EIA/JEDEC specification. (114.3 x 76.2 x 1.6mm Two layers, FR-4)

■RECCOMENDED OPERATING CONDITIONS (Ta=25°C)

PARAMETER	SYMBOL	TEST CONDITION	MIN.	TYP.	MAX.	UNIT
Operating voltage	Vopr		3.0	-	5.5	V

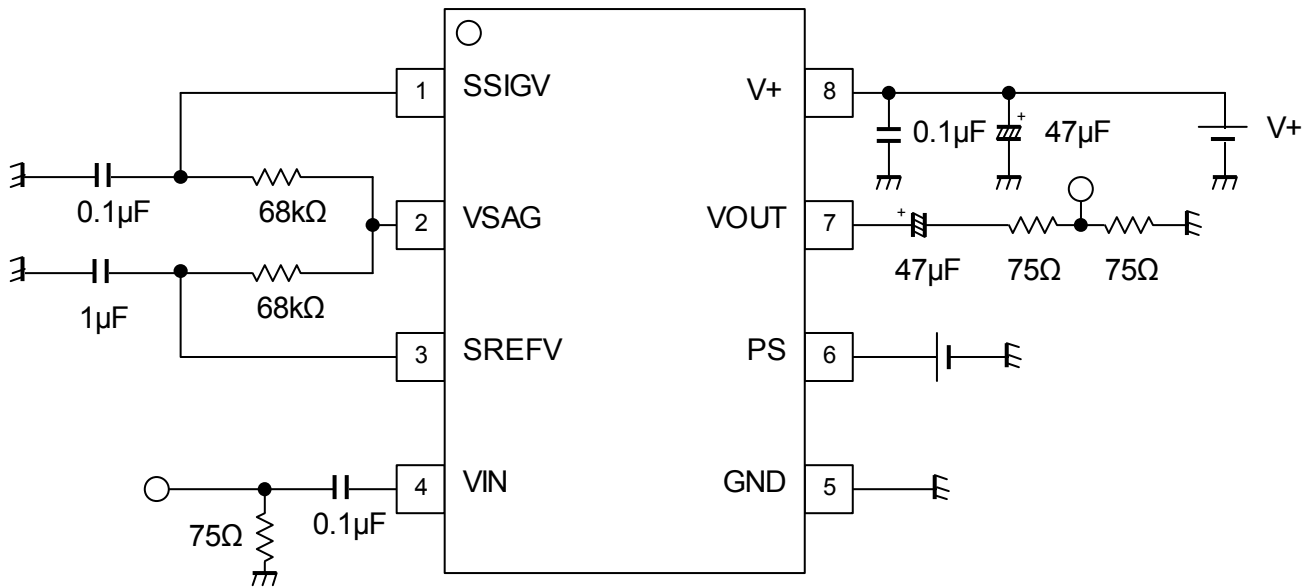
■ELECTRICAL CHARACTERISTICS (V⁺=3.3V, RL=150Ω, Ta=25°C)

PARAMETER	SYMBOL	TEST CONDITION	MIN.	TYP.	MAX.	UNIT
Supply Current	I _{CC}	No signal	-	10	15	mA
Supply Current at Power Save Mode	I _{save}	Power save mode	-	20	50	μA
Maximum Output Level	V _{om}	Vin=100kHz, sin-signal, THD=1%,	2.2	-	-	Vp-p
Voltage Gain	Gv	Vin=1MHz, 1.0Vp-p sin-signal	11.5	12.0	12.5	dB
Low Pass Filter Characteristic	Gf4.5M	Vin=4.5MHz/1MHz, 1.0Vpp sin-signal	-0.6	-0.1	+0.4	dB
	Gf19 M	Vin=19MHz/1MHz, 1.0Vpp sin-signal	-	-33	-23	dB
Differential Gain	DG	Vin=1.0Vp-p 10step video signal	-	0.5	-	%
Differential Phase	DP	Vin=1.0Vp-p 10step video signal	-	0.5	-	deg
S/N Ratio	SN	100kHz to 6MHz, Vin=1.0Vp-p 100% White Video Signal, RL=75Ω	-	60	-	dB
SW Voltage High Level	V _{thH}	Active	1.8	-	V ⁺	V
SW Voltage Low Level	V _{thL}	Non-Active	0	-	0.3	V
SW Sink Current High Level	I _{thH}	V=5V	-	-	300	μA
SW Sink Current Low Level	I _{thL}	V=0.3V	-	-	5	μA

■ CONTROL TERMINAL

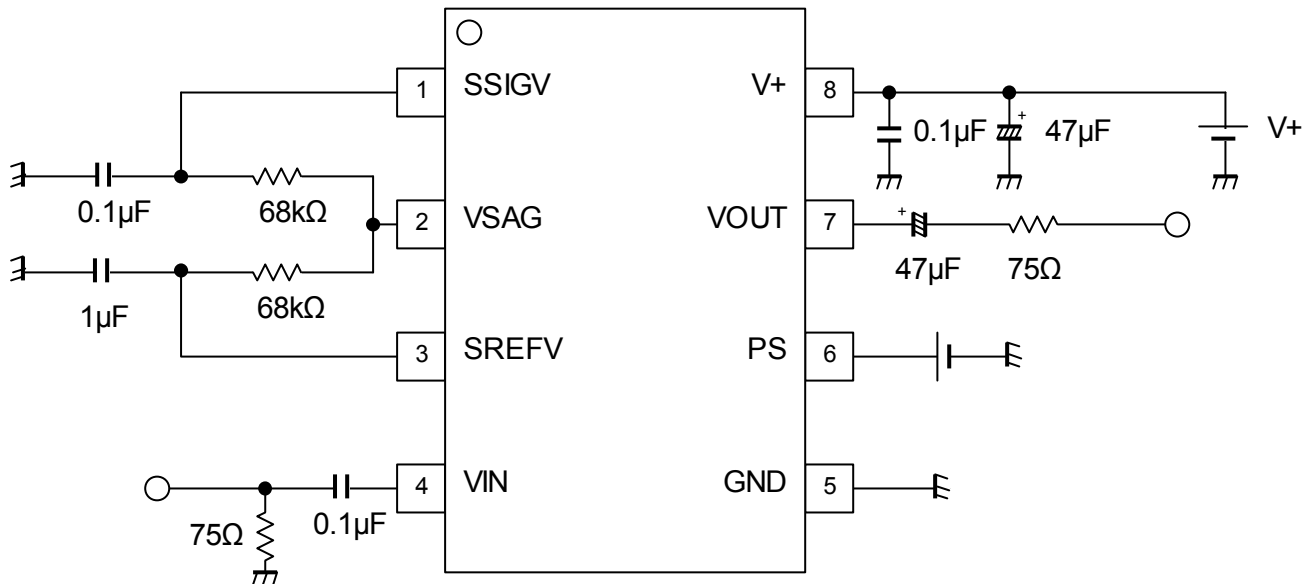
PARAMETER	STATUS	MODE
Power Save	H	Power save: OFF Active mode
	L	Power save: ON Non-Active mode (Mute)
	OPEN	Power save: OFF Non-Active mode (Mute)

■ TEST CIRCUIT

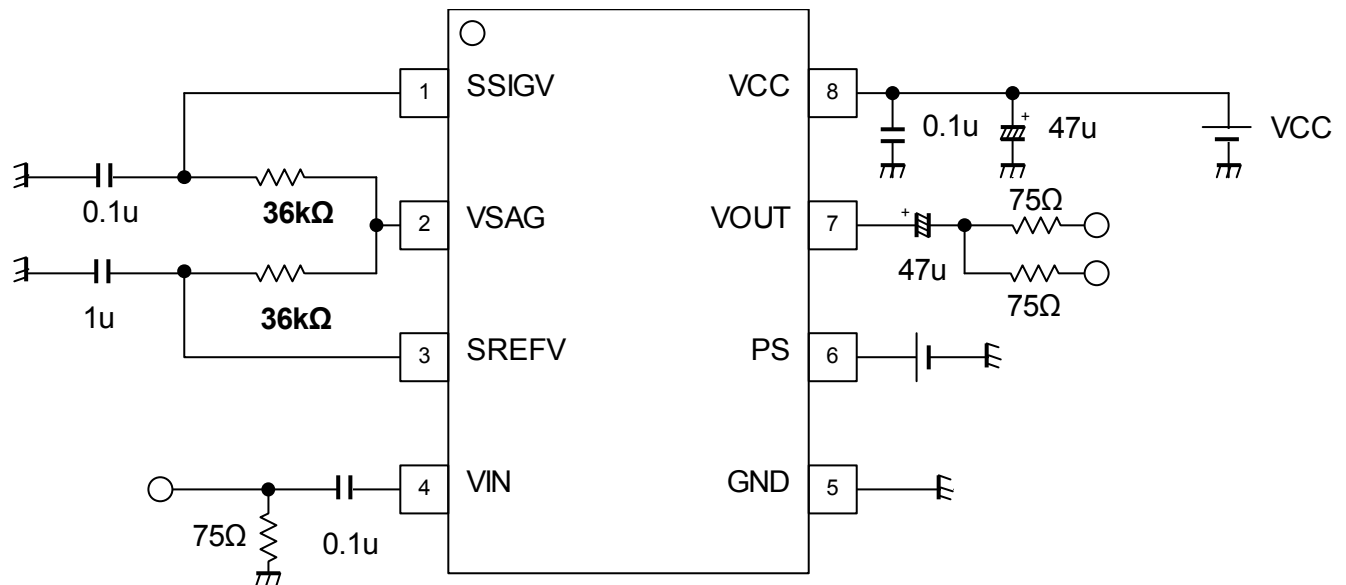


NJM2512A

APPLICATION CIRCUIT1



APPLICATION CIRCUIT2(2-line drive)



APPLICATION NOTE

NJM2512A has possibilities that decrease in the capacitance in low-frequency band when the ceramic capacitor is used (pin 7). It is a possibility that the sag is generated when the ceramic capacitor decreases capacity. Please verify it in consideration of the capacity drop of the ceramic capacitor.

[CAUTION]

The specifications on this databook are only given for information, without any guarantee as regards either mistakes or omissions. The application circuits in this databook are described only to show representative usages of the product and not intended for the guarantee or permission of any right including the industrial rights.