

POC-176

17" Point-of-Care Terminal Featuring Intel® Core™ 2 Duo Processor

NEW



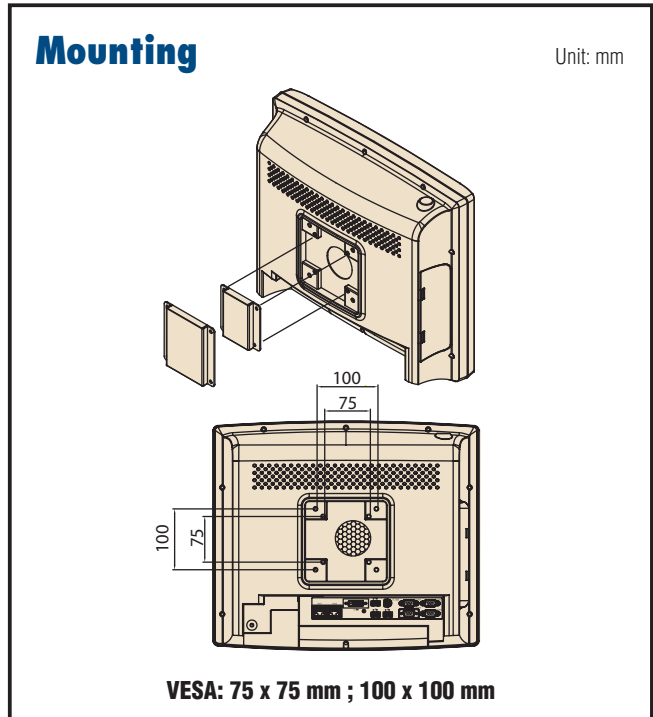
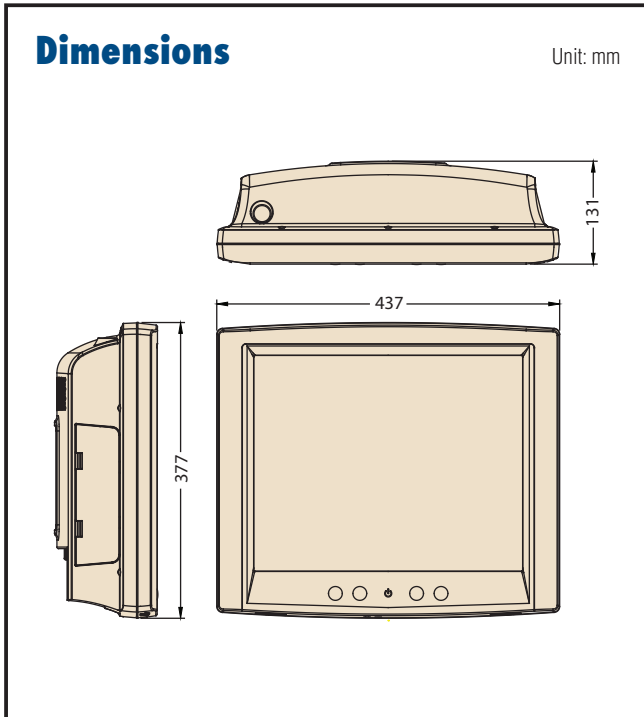
Features

- Point-of-Care terminal for eHealthcare/Medical Applications
- 17" LCD display
- IPX1 water resistant enclosure with additional IP65 dust-tight front panel
- UL60601-1/EN60601-1, CE & FCC Class B certified
- Smart card reader built-in helps verify clinician identification
- 800 MB High speed IEEE 1394b interface
- Optional 802.11 b/g/n or 802.11 a/b/g/n module



Specifications

| | | |
|----------------------|--------------------|---|
| Computing System | Chipset | 945GME/ ICH7M Chipset |
| | CPU | Intel Core 2 Duo processor T7400 or Intel® Celeron® M 440 processor (2.16 GHz 667 MHz 4 MB Unified 34 watts 1.1625 V-1.3 V 100° C 478µFC-PGA) |
| | Front Side Bus | 667 MHz |
| | Memory | DDR2 533/667 Unbuffered Non ECC SODIMM sockets x 2 (max. 4 GB) * Due to standard PC architecture, a certain amount of memory is reserved for system usage and therefore the actual memory size is less than the stated amount. |
| Graphics | Controller | Intel GMA 950 Graphics technology Up to 144/224MB of DVMT for graphics memory |
| Expansion Slot | PCI-E | 1 x mini PCI-E |
| | PCI | 1 x PCI 2.3, accepts low profile PCI Card |
| Storage | HDD | 1 x 2.5" SATA drive |
| | Optical Device | 1 x DVD-RW |
| Ethernet | Interface | 2 x Gigabit Ethernet (isolated) interfaces (RJ-45) |
| Identification | | 1 x Smart card reader |
| I/O Ports | | 2 x RS-232 (isolated), 1 x RS-232, 1 x RS-232/422/485 serial port (isolated) 4 x USB 2.0 ports 1 x IEEE 1394b Port 1 x PS/2 mouse and K/B 1 x DVI-I VGA port 2 x SATA ports (internal) |
| Speakers | | 2 x 1 W speakers; 1 x MIC-in and Speaker-out |
| Display | Display type | 17" TFT LCD. |
| | Max. Resolution | 1280 x 1024 |
| | Max. Colors | 16.7M |
| | Dot size (mm) | 0.264 (per triand) x 0.264 |
| | Viewing angle | 160°/160° |
| | Luminance | 300 cd/m ² |
| | Contrast ratio | 800 : 1 |
| | LCD MTBF | 50,000 hours |
| Power Supply | Backlight lifetime | 50,000 hours at 6.5 mA |
| | AC Model | Internal ATX power supply |
| | Input voltage | 100 ~ 240 V _{ac} , 5 ~ 3 A, @ 60 ~ 50 Hz |
| Optional Touchscreen | Output voltage | Max, Output power : 300 W (+3.3 V & +5 V = 120 W Max) (3.3 V & +5 V & +12 V1 & +12 V2 = 281 W MAX) +3.3 V @ 16 A, +5 V @ 18 A, +12 V1 @ 16 A,+12 V2 @ 16 A, +5 Vsb @ 2.5 A, -12 V @ 0.5 A, -5 V @ 0.2 A |
| | Type | Analog Resistive |
| | Resolution | Continuous |
| | Light transmission | 75% |
| | Controller | RS-232 interface (Uses COM5) |
| Certification | Durability | 30 million touches |
| | | CE & FCC Class B certified UL60601-1, EN60601-1 approved |



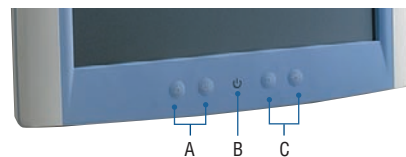
| | | |
|--------------------------|------------------------|--|
| Environment | Temperature | 0 ~ 40° C (32 ~ 104° F) (Operating) |
| | Humidity | 10 ~ 95%@40 (non-condensing) |
| | Shock Resistance | 30G peak acceleration (11ms duration) |
| | Power MTBF | 100,000 hrs |
| | Water/dust Resistance | IPX1 water resistant enclosure with additional IP65 dust-tight front panel |
| Physical Characteristics | Dimensions (W x H x D) | 437 x 377 x 131 mm (17.20" x 14.84" x 5.15") |
| | Weight | 10.5 kg |

Ordering Information

| Part Number | Touch Panel | CPU | HDD | RAM |
|-----------------|-------------|--------|-----|------|
| POC-176-D1A-ATE | Res. TS | T7400 | - | 2 GB |
| POC-176-C1A-ATE | Res.TS | CM 440 | - | 2 GB |

*Optional HDD will go with T Part Number. Please contact Advantech sales for more details.

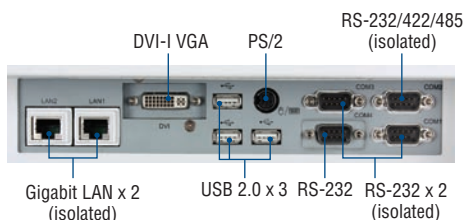
Function keys



A. Audio Control Button
B. Power Light

C. Brightness Control Button

Rear I/O



Side I/O

