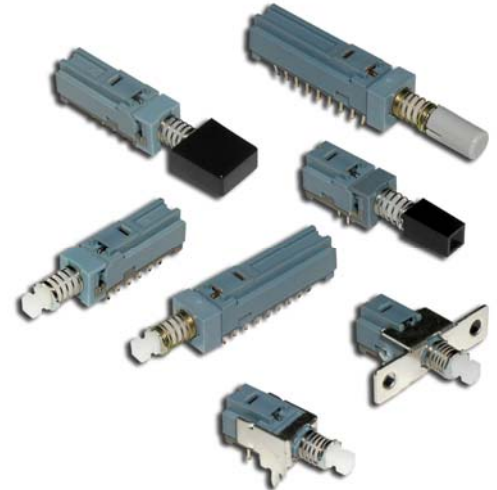


**SPECIFICATIONS**

|                       |                                     |
|-----------------------|-------------------------------------|
| Electrical Ratings    | 100mA @ 30 VDC                      |
| Electrical Life       | 30,000 cycles typical               |
| Contact Resistance    | < 50 mΩ max initial @ 2-4VDC, 100mA |
| Dielectric Strength   | 1250Vrms min                        |
| Insulation Resistance | > 100MΩ min                         |
| Operating Temperature | -20°C to 70°C                       |
| Storage Temperature   | -40°C to 85°C                       |



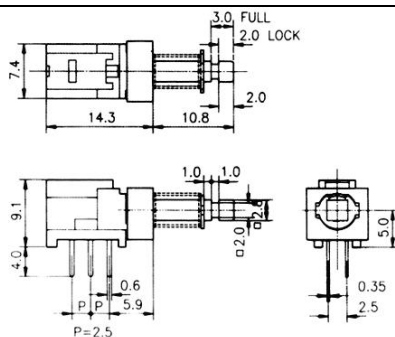
**MATERIALS ←RoHS COMPLIANT**

|               |                            |
|---------------|----------------------------|
| Actuator      | POM, UL94-HB               |
| Housing       | PBT, UL94-HB               |
| Terminal Base | 6/6 Nylon, UL94-HB         |
| Contacts      | Phosphor Bronze, Ag plated |
| Terminals     | Brass, Ag plated           |
| Chassis       | Steel                      |
| Spring        | Steel                      |
| Latching Pin  | Steel                      |

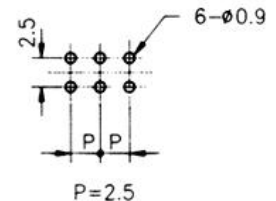
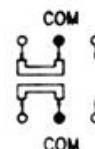
**ORDERING INFORMATION**

|                          |  |   |   |   |      |
|--------------------------|--|---|---|---|------|
| <b>Series:</b>           | RPH  | 2 | N | P | C012 |
| <b>Number of Poles:</b>  | 2 = DPDT<br>4 = 4PDT<br>6 = 6PDT   |   |   |   |      |
| <b>Switch Function:</b>  | N = Non-latching<br>L = Latching   |   |   |   |      |
| <b>Terminal Options:</b> | P = PC Terminals<br>S = Snap-In PC Terminals   |   |   |   |      |
| <b>Mounting Options:</b> | Blank = No Chassis (standard)<br>C = Mounting Chassis, Single Stage<br>Z = PC Mounting Bracket |   |   |   |      |
| <b>Caps:</b>             | Blank = No Cap<br>C01<br>C02<br>C03<br>C04<br>C05  |   |   |   |      |
| <b>Cap Colors:</b>       | ** See Cap Options for color availability  |   |   |   |      |

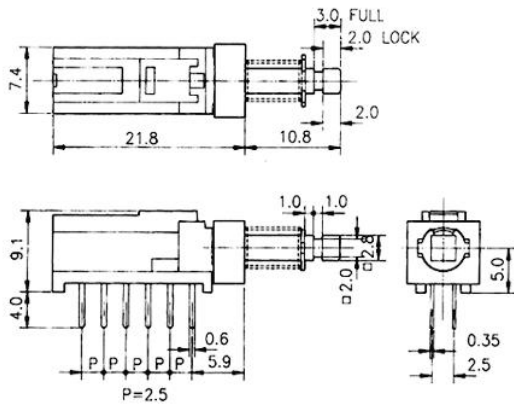
**DIMENSIONS - DPDT**



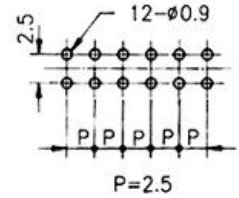
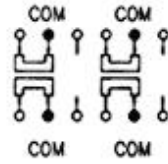
**SCHEMATIC & PC LAYOUT**



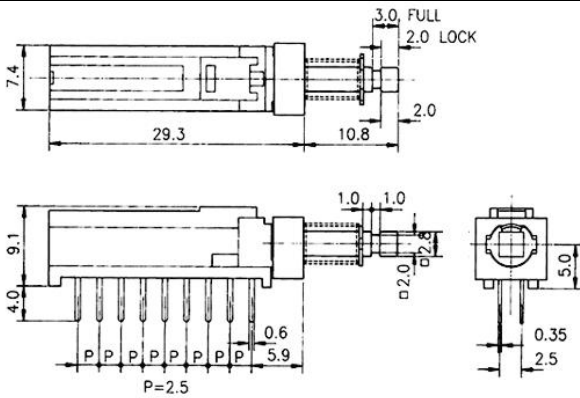
**DIMENSIONS – 4PDT**



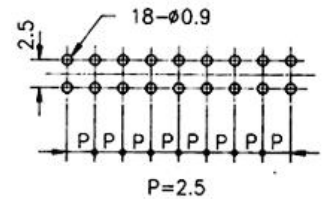
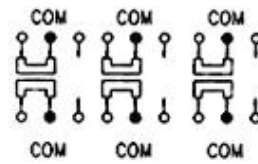
**SCHEMATIC & PC LAYOUT**



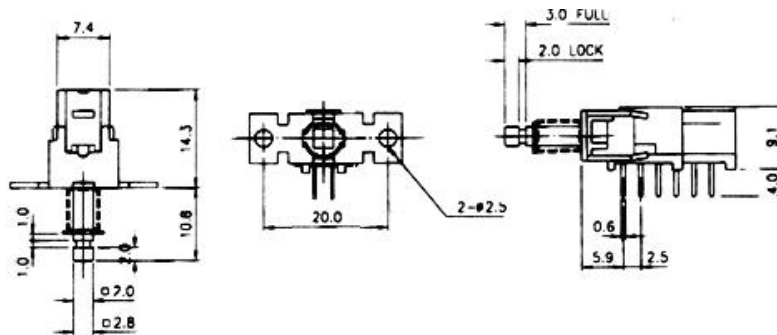
**DIMENSIONS – 6PDT**



**SCHEMATIC & PC LAYOUT**

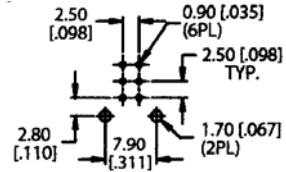
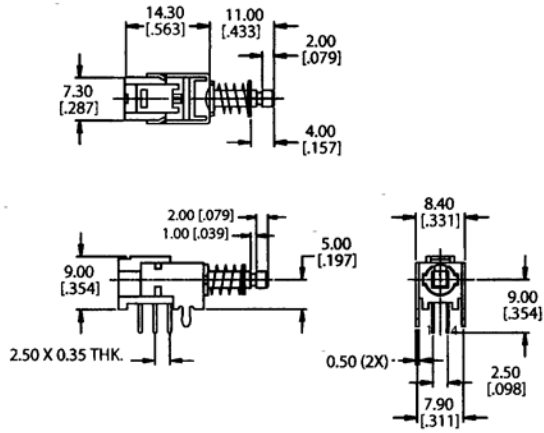


**MOUNTING OPTIONS**



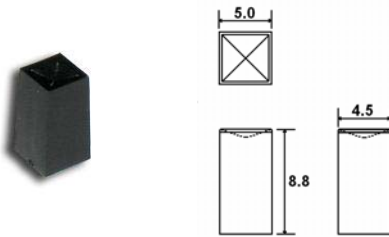
**C - SINGLE STAGE CHASSIS**

**MOUNTING OPTIONS**



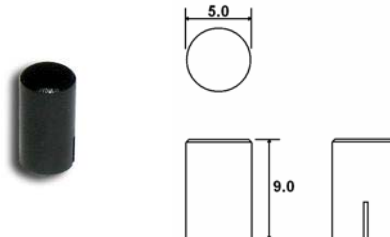
**Z – PC MOUNTING BRACKET**

**CAP OPTIONS**



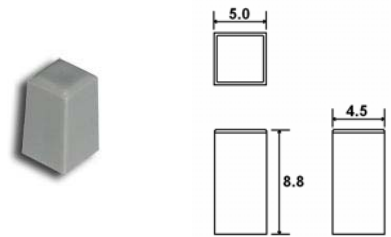
**C01\_**

1 = White, 2 = Black, 3 = Red, 9 = Light Gray  
 Contact Factory for other available colors



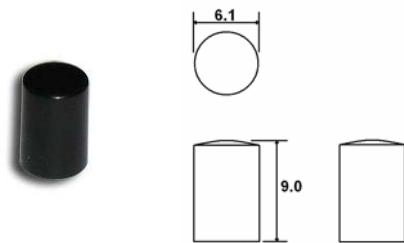
**C02\_**

1 = White, 2 = Black, 3 = Red, 9 = Light Gray  
 Contact Factory for other available colors



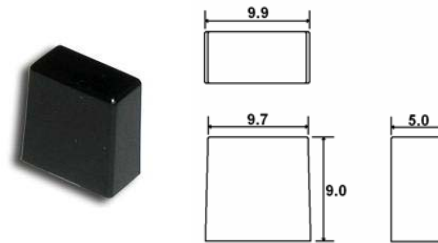
**C03\_**

1 = White, 2 = Black, 3 = Red, 9 = Light Gray  
 Contact Factory for other available colors



**C04\_**

1 = White, 2 = Black, 3 = Red, 9 = Light Gray  
 Contact Factory for other available colors



**C05\_**

1 = White, 2 = Black, 3 = Red, 9 = Light Gray  
 Contact Factory for other available colors