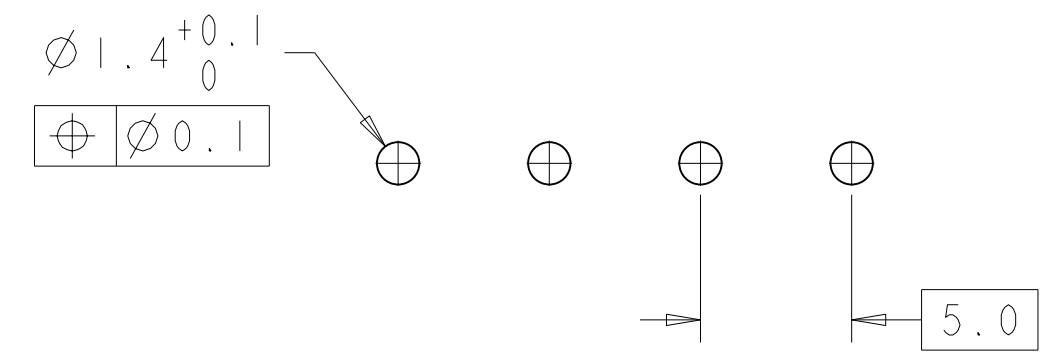
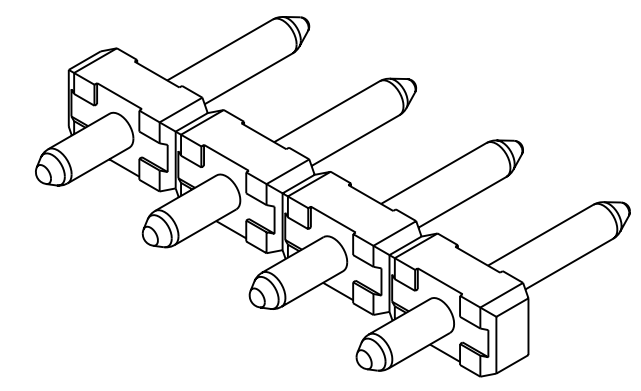
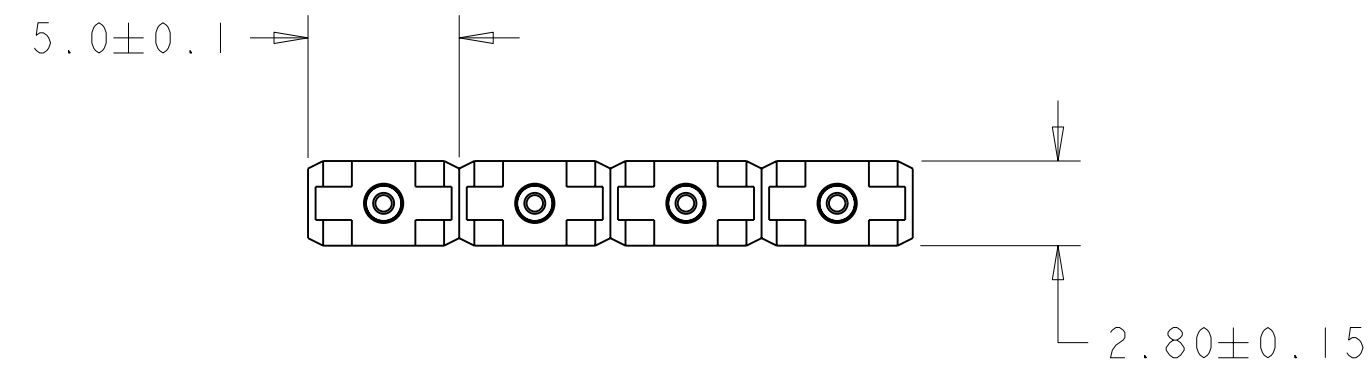


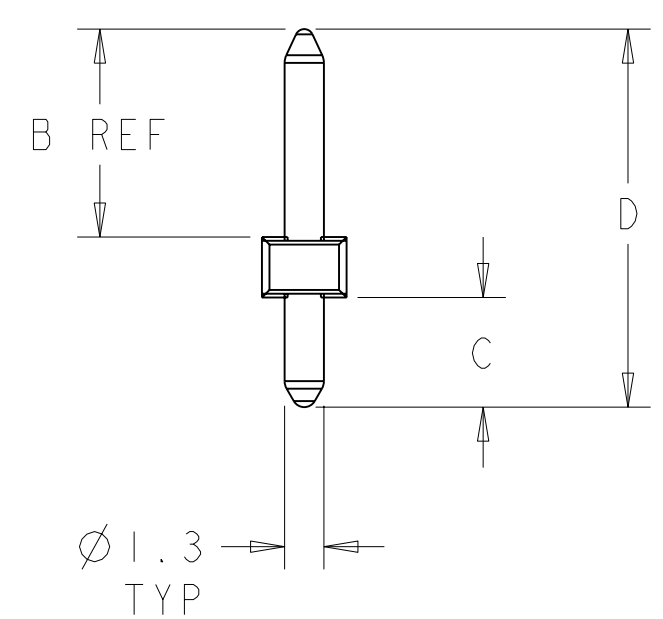
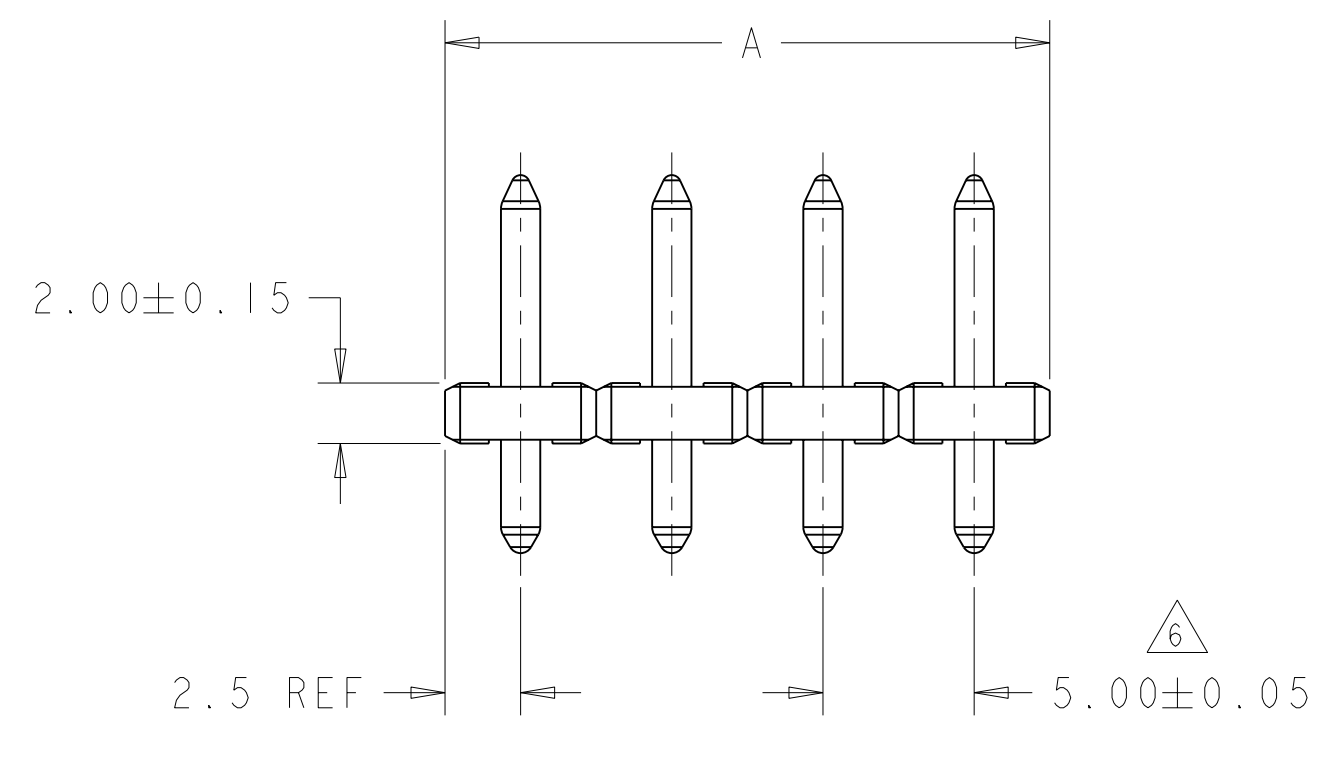
THIS DRAWING IS UNPUBLISHED. RELEASED FOR PUBLICATION 20
 © COPYRIGHT 20 BY TYCO ELECTRONICS CORPORATION. ALL RIGHTS RESERVED.

LOC		DIST		REVISIONS			
P	LTR	DESCRIPTION	DATE	DWN	APVD		
	H	ADDED 3-4, 3-5 EC 0G3B-0502-03	17JUN2003	SW	CR		
	HI	ADDED 3--7, ECO-05-010011	09NOV2005	SW	CR		



RECOMMENDED PC BOARD LAYOUT

282832-4 AS SHOWN



FINISH	16.5	3.5	11	20	4	3-282832-7				
TIN	20.5	4.5	14	15	3	3-282832-6				
	12.5	3.5	15.6	20	4	3-282832-5				
15				3	3-282832-4					
15			3	3-282832-3						
10			2	3-282832-2						
15			3	2-282832-7						
125			25	2-282832-6						
120			24	2-282832-5						
115			23	2-282832-4						
110			22	2-282832-3						
105			21	2-282832-2						
100			20	2-282832-1						
TIN	12.5	3.5	7	95	19	2-282832-0				
				90	18	1-282832-9				
				85	17	1-282832-8				
				80	16	1-282832-7				
				75	15	1-282832-6				
				70	14	1-282832-5				
				65	13	1-282832-4				
				16.5	3.5	11	40	8	1-282832-3	
				TERMINAL PLATING	D	C	B	A	NO OF POSN	PART NUMBER
55	11	1-282832-1								
50	10	1-282832-0								
45	9	282832-9								
40	8	282832-8								
35	7	282832-7								
30	6	282832-6								
25	5	282832-5								
20	4	282832-4								
15	3	282832-3								
10	2	282832-2								

1. MATERIALS AND FINISH:
 HOUSING: PA 6-6, UL 94-V0, COLOR GREEN.
 TERMINAL: BRASS, PLATING: SEE TABLE.
2. SUITABLE FOR 1,6-2,4mm PC BOARD THICKNESS.
3. END-TO-END STACKABLE WITHOUT LOSS OF CENTERLINE SPACING.
4. RECOGNIZED UNDER THE COMPONENT PROGRAM OF UNDERWRITERS LABORATORIES INC. FILE N° E60677.
5. IMQ CERTIFICATE WITH SURVEILLANCE IN CONFORMITY WITH IEC 998-1/998-2-1.
6. NOT CUMULATIVE TOLERANCE.

THIS DRAWING IS A CONTROLLED DOCUMENT FOR TYCO ELECTRONICS CORPORATION. IT IS SUBJECT TO CHANGE AND THE CONTROLLING ENGINEERING ORGANIZATION SHOULD BE CONTACTED FOR THE LATEST REVISION.

DWN: F. ZANOLINI 4AUG2001
 CHK: D. BIEVENOUR 4AUG2001
 APVD: D. BIEVENOUR 4AUG2001

BUCHANAN Tyco Electronics
 Harrisburg, PA 17105-3608

NAME: TERMINAL BLOCK PIN HEADER
 UNSHROUDED
 5.0 mm PITCH

PRODUCT SPEC: 108-20166
 APPLICATION SPEC: 114-20079

SIZE: A2 CAGE CODE: 00779 DRAWING NO: C=282832 RESTRICTED TO: -

MATERIAL: - FINISH: - WEIGHT: -

CUSTOMER DRAWING SCALE: 4:1 SHEET: 1 OF 1 REV: HI