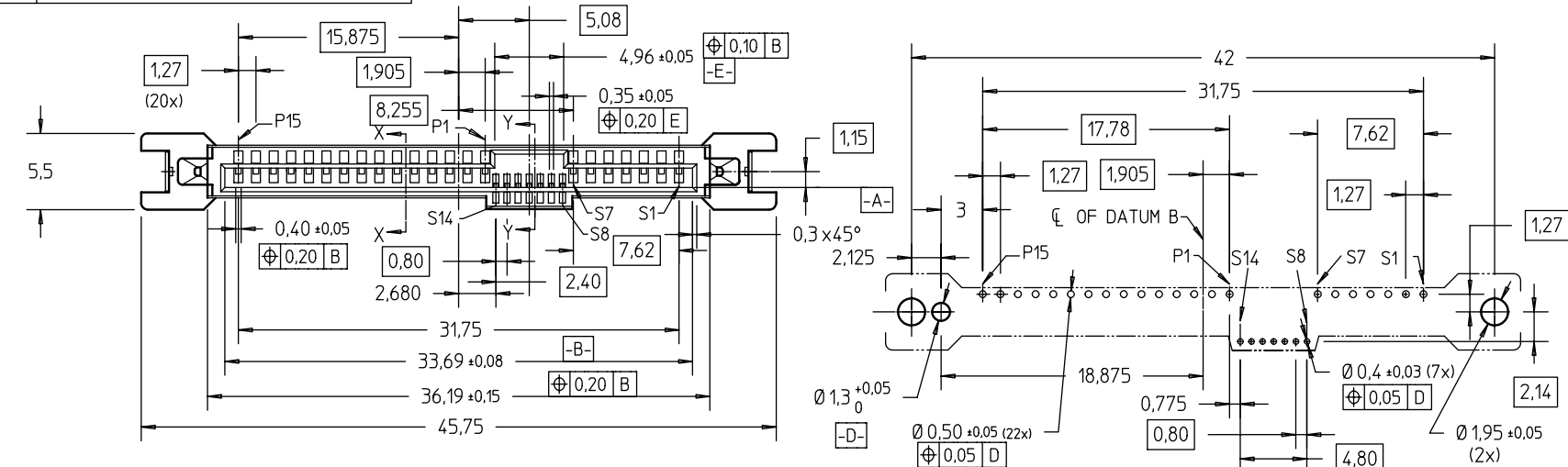


FCI CONFIDENTIAL

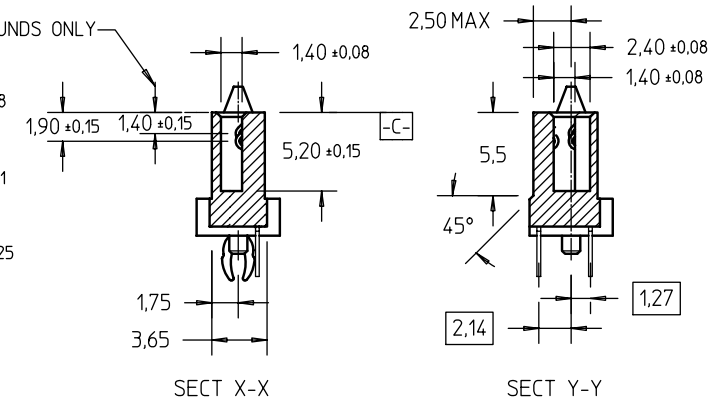
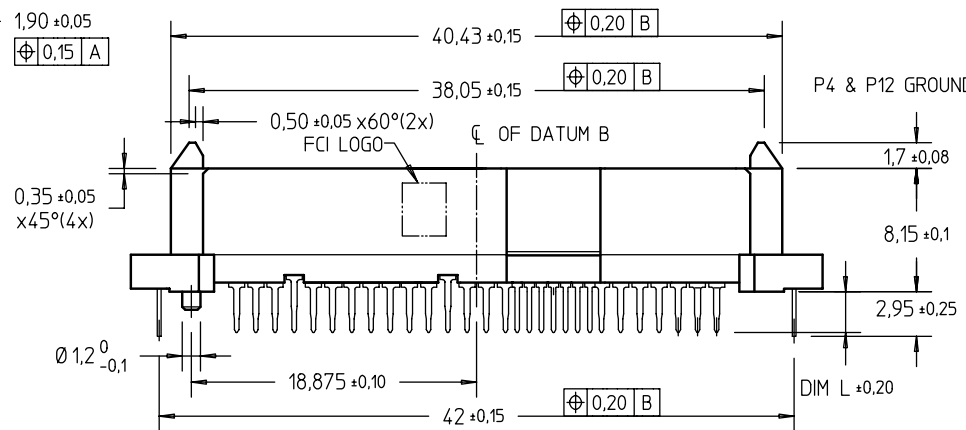
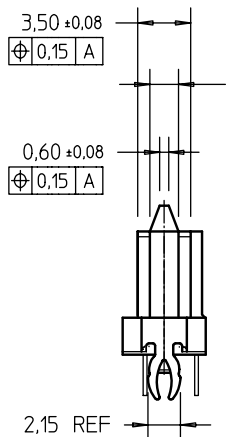


This document is the property of and embodies CONFIDENTIAL and PROPRIETARY information of FCI. No part of the information shown on this document may be used in any way or disclosed to others without the written consent of FCI. Copyright © FCI.

| PRODUCT NO | DIM L | RECOMMENDED P.C. BOARD THICKNESS |
|----------------|-------|-----------------------------------|
| 10018182-001LF | 2.70 | 1,57mm (0,062") / 2,36mm (0,093") |
| 10018182-011LF | 3,70 | 2,36mm (0,093") |



RECOMMENDED P.C.B. LAYOUT



NOTES:

- MATERIAL:
 - HOUSING : HIGH TEMP TERMOPLASTIC, UL 94V-0
COLOR : BLACK
 - TERMINAL : COPPER ALLOY
 - HOLD DOWN : COPPER ALLOY
- FINISH :
 - TERMINAL : 30u" Au PLATING (CONTACT POINT) OVER 50u" NICKEL
 - SOLDER TAIL : 50u" min Sn OVER 50u" NICKEL
 - HOLD DOWN : 50u" min Sn OVER 50u" NICKEL
- PER SFF REV 1.1, EXCEPT 0.8mm PITCH BUMP AREA.
- THE STD PACKAGING IS IN TRAY.
- THE HOUSING WILL WITHSTAND EXPOSURE TO 260°C PEAK TEMPERATURE FOR 10 SECONDS IN A WAVE SOLDER APPLICATION WITH A 1.57mm MINIMUM THICK CIRCUIT BOARD.
- THIS PRODUCT MEETS EUROPEAN UNION DIRECTIVES AND OTHER COUNTRY REGULATIONS AS DESCRIBED IN GS-22-008.
- PART NUMBERS ENDING IN "LF" MEANS FOR NOTE 6 LEAD FREE IDENTIFICATION. P/N XXXXXXXX-XXXLF IS EQUIVALENT TO PREVIOUS P/N XXXXXXXX-XXX.

| | | | | | |
|-------------|----------------|---------------------------------------|------------------|-------------|-----------------------|
| mat'l code | | surface | tolerance | projection | product family |
| | | ISO 1302 | ISO 406 ISO 1101 | | SAS |
| itr | | tolerances unless otherwise specified | | | title |
| A | S04-0026 | GLL | 2004-02-27 | mm | SAS RECEPTACLE |
| B | S04-0201 | GLL | 2004-09-27 | mm | VERTICAL TH TYPE ASSY |
| C | S05-0026 | GLL | 2005-02-14 | mm | |
| D | S06-0281 | GLL | 2006-08-28 | mm | |
| | | angles | linear | scale 2 : 1 | dwg no |
| | | ± 2° | | | 10018182 |
| | | dr | GL L00 | 2004-02-27 | sheet 1 of 1 |
| | | enrg | GL L00 | 2004-02-27 | size |
| | | chr | GL L00 | 2006-08-28 | A4 |
| | | appd | JOEY NG | 2006-08-28 | type |
| | | | | | CUSTOMER |
| | | | | | Drawing |
| sheet index | revision sheet | D | | | |
| | 1 | | | | |