

# DATA SHEET

**ER41/7.6/32**

**Planar ER cores and accessories**

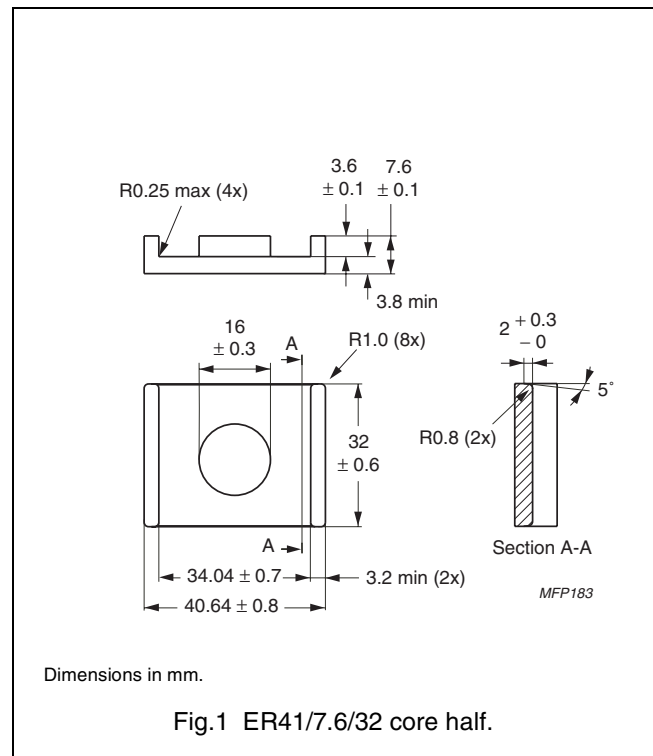
New data

2008 Sep 01

**CORE SETS**

**Effective core parameters**

SYMBOL	PARAMETER	VALUE	UNIT
$\Sigma(l/A)$	core factor (C1)	0.253	mm <sup>-1</sup>
$V_e$	effective volume	12900	mm <sup>3</sup>
$l_e$	effective length	57.0	mm
$A_e$	effective area	225	mm <sup>2</sup>
$A_{min}$	minimum area	201	mm <sup>2</sup>
m	mass of core half	≈ 37	g



**Core halves for general purpose transformers and power applications**

Clamping force for  $A_L$  measurements, 100 ± 25 N.

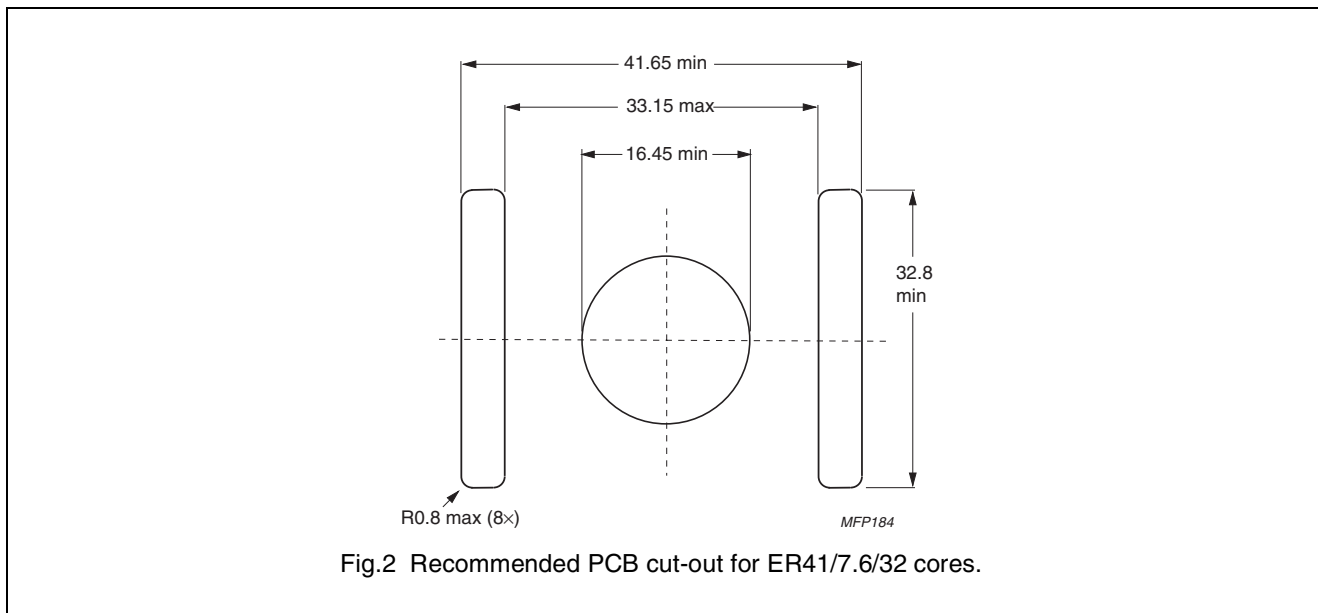
GRADE	$A_L$ (nH)	$\mu_e$	AIR GAP ( $\mu\text{m}$ )	TYPE NUMBER
3C92 <small>des</small>	6500 ± 25 %	≈ 1310	≈ 0	ER41/7.6/32-3C92
3C93 <small>des</small>	7500 ± 25 %	≈ 1510	≈ 0	ER41/7.6/32-3C93
3C95 <small>des</small>	11120 ± 25 %	≈ 2240	≈ 0	ER41/7.6/32-3C95
3C96 <small>des</small>	8100 ± 25 %	≈ 1630	≈ 0	ER41/7.6/32-3C96
3F3	8100 ± 25 %	≈ 1630	≈ 0	ER41/7.6/32-3F3

**Properties of core sets under power conditions**

GRADE	B (mT) at	CORE LOSS (W) at				
	H = 250 A/m; f = 25 kHz; T = 100 °C	f = 100 kHz; B̂ = 100 mT; T = 100 °C	f = 100 kHz; B̂ = 200 mT; T = 25 °C	f = 100 kHz; B̂ = 200 mT; T = 100 °C	f = 400 kHz; B̂ = 50 mT; T = 100 °C	f = 500 kHz; B̂ = 50 mT; T = 100 °C
3C92	≥ 370	≤ 1.3	–	≤ 7.8	–	–
3C93	≥ 320	≤ 1.3 (1)	–	≤ 7.8 (1)	–	–
3C95	≥ 320	–	≤ 8.94	≤ 8.51	–	–
3C96	≥ 340	≤ 0.92	–	≤ 5.88	–	≤ 5.58
3F3	≥ 300	≤ 1.7	–	–	≤ 2.5	–

1. Measured at 140 °C.

**MOUNTING INFORMATION**



**Winding data for ER41/7.6/32 planar core**

<b>WINDING AREA (mm<sup>2</sup>)</b>	<b>AVERAGE TRACK LENGTH (mm)</b>	<b>FOOTPRINT AREA (mm<sup>2</sup>)</b>
64.9	78.6	1316




**DATA SHEET STATUS DEFINITIONS**

DATA SHEET STATUS	PRODUCT STATUS	DEFINITIONS
Preliminary specification	Development	This data sheet contains preliminary data. Ferroxcube reserves the right to make changes at any time without notice in order to improve design and supply the best possible product.
Product specification	Production	This data sheet contains final specifications. Ferroxcube reserves the right to make changes at any time without notice in order to improve design and supply the best possible product.

**DISCLAIMER**

**Life support applications** — These products are not designed for use in life support appliances, devices, or systems where malfunction of these products can reasonably be expected to result in personal injury. Ferroxcube customers using or selling these products for use in such applications do so at their own risk and agree to fully indemnify Ferroxcube for any damages resulting from such application.

**PRODUCT STATUS DEFINITIONS**

STATUS	INDICATION	DEFINITION
<b>Prototype</b>		These are products that have been made as development samples for the purposes of technical evaluation only. The data for these types is provisional and is subject to change.
<b>Design-in</b>		These products are recommended for new designs.
<b>Preferred</b>		These products are recommended for use in current designs and are available via our sales channels.
<b>Support</b>		These products are <b>not</b> recommended for new designs and may not be available through all of our sales channels. Customers are advised to check for availability.