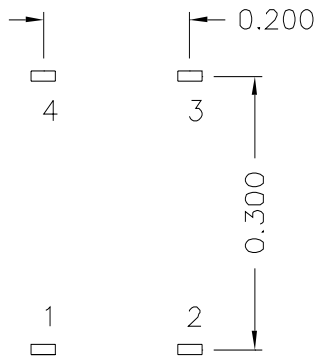
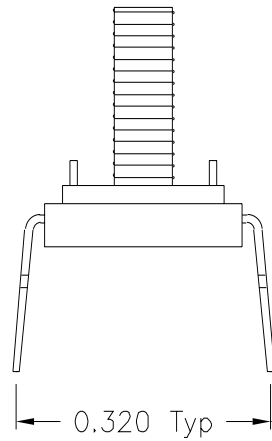
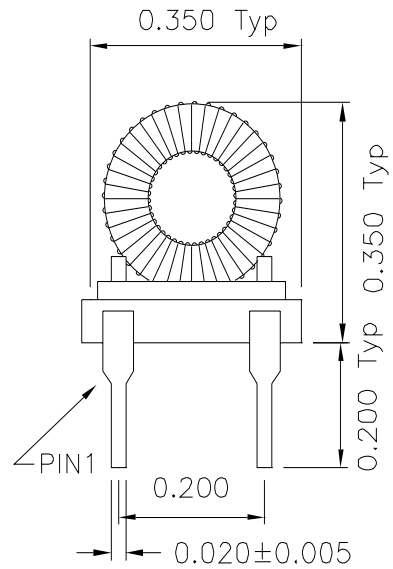
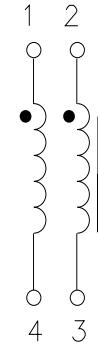


1. Mechanical Dimensions:



SUGGESTED PCB LAYOUT

2. Schematic:



3. Electrical Specifications:

OCL: Each Winding 28uH Typ @100KHz 50mV

DCR: Each Winding 0.100 Ohms Max.

Max. Current: 100mA

HIPOT: 300Vrms

DOC. REV: A/2

<b>XFMRS Inc</b>	Title: Data Line EMI Filters			
	UNLESS OTHERWISE SPECIFIED TOLERANCES: .xxx ±0.010 Dimensions in Inch	P/N: XF20001W	REV. A	
	DWN.	廖玉坤	Jan-24-00	
	CHK.	李清儿	Jan-24-00	
SCALE 4:1 SHT 1 OF 1	APP.	Joe Huff	Jan-24-00	