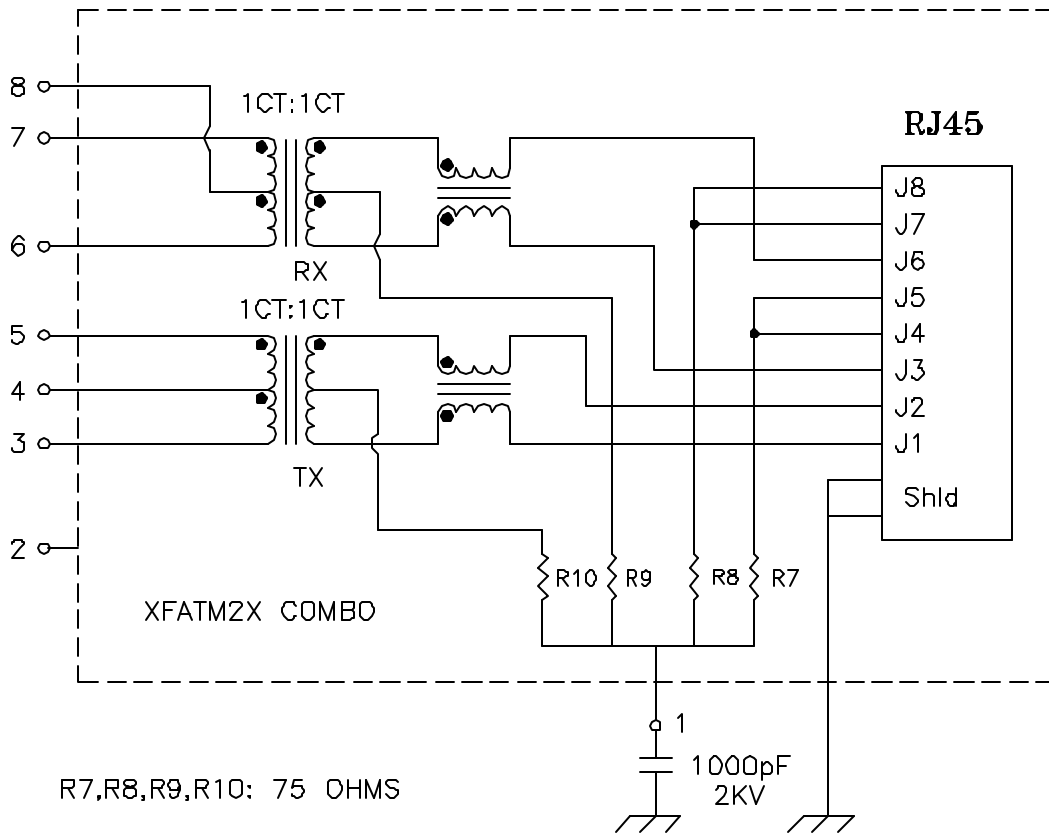


**Schematic:**

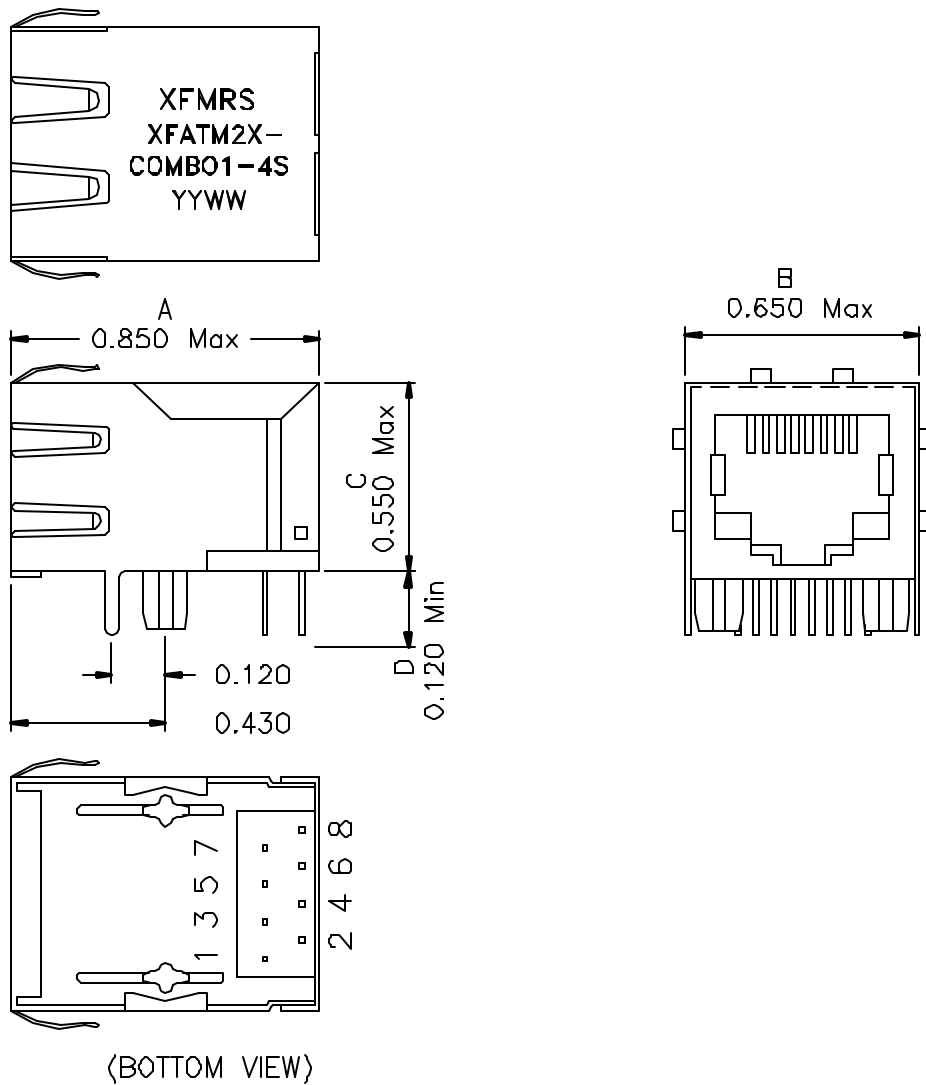


**Electrical Specifications: @25°C**

- UTP Impedance: 100 OHMS
- Turns Ratio: TX : 1CT:1CT ( $\pm 2\%$ )    RX : 1CT:1CT ( $\pm 2\%$ )
- Isolation Voltage: 1500 VAC (Input to Output)
- Isolation Voltage: 500 VAC (3+4+5-6+7+8)
- UTP Side OCL: 350uH Minimum @100KHz, 100mV 8mADC
- Insertion Loss (0.3-100MHz): -1.0dB Maximum
- Return Loss: @30MHz -20dB Typ  
                  @80MHz -15dB Typ
- Rise Time (10-90%): 2nS Typical
- CMRR (0.3-100MHz): -30dB Typical
- Crosstalk Attenuation (1MHz-100MHz): -30dB Minimum

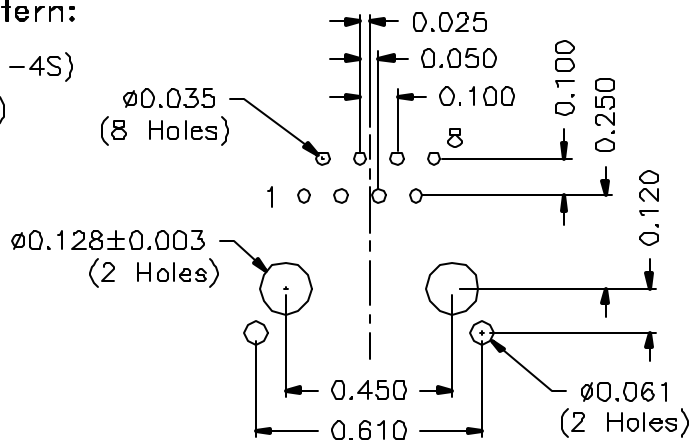
<b>XFMRs Inc.</b>	Title: <b>SINGLE PORT COMBO</b>		
	UNLESS OTHERWISE SPECIFIED	P/N: XFATM2X-COMBO1-4S	REV. A
TOLERANCES: .xxx $\pm 0.010$	DWN.	BW	May-22-01
Dimensions in Inch	CHK.	Joe Huff	May-22-01
SHEET 1 OF 2	APP.	Isaiah M	May-22-01

### Mechanical Dimensions:



### Mounting Pattern:

(FOR COMBO1-4S)  
(COMP SIDE)



**XFMR5 Inc.**

Title: Mechanical Dimensions  
For COMBO1-4S Series

UNLESS OTHERWISE SPECIFIED  
TOLERANCES:  
.xxx ±0.010  
Dimensions in Inch

XFATM2X-COMBO1-4S

REV A

DWN.

BW

May-22-01

CHK.

Joe Huff

May-22-01

APP.

Isaiah M.

May-22-01

DOC. REV: A/1

SHEET 2 OF 2