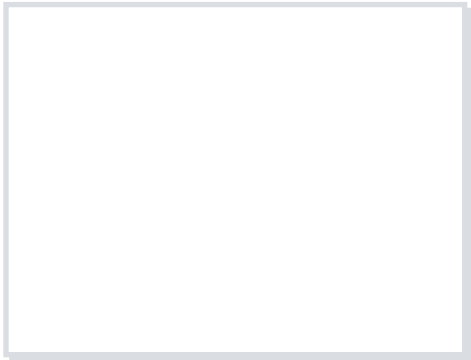


Flyback Transformer

EPC3007



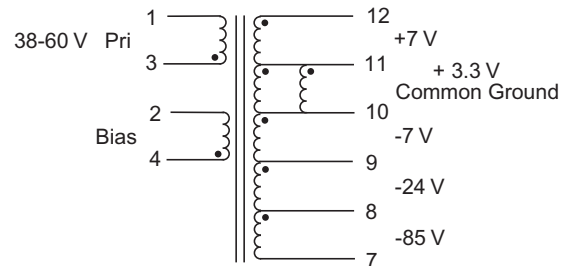
- Switching Frequency : 132 KHz •
- Gapped Transformer •

Primary Specification

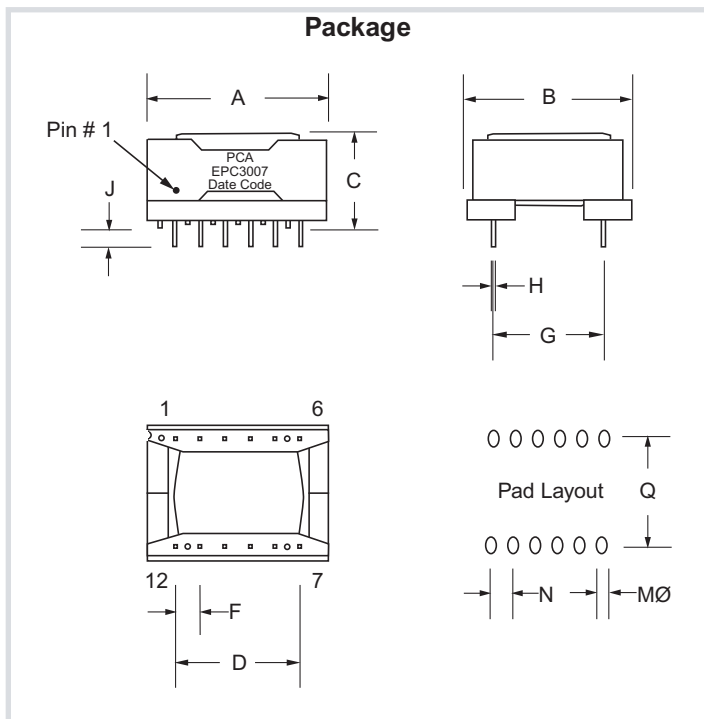
Inductance ($\mu\text{H} \pm 5\%$)	DCR (Ω Typ.)						
	.185	.115	.450	.130	.060	.011	.040
@ 10 KHz 0.1 Vrms							
216							
Pins 3-1	Pins 3-1	Pins 4-2	Pins 7-8	Pins 8-9	Pins 9-10	Pins 10-11	Pins 11-12

Leakage Inductance (μH Max.)	Inductance Change @ .5 IpK	Dielectric Rating (Vrms)	Temp Rise @ IpK °C Max
@ 100 KHz 0.1Vrms		1 Min.	
7	5% Max	3000	10
Pins 3-1 with 7-12 Wdg's shorted		Pri. + Bias to all Sec.Wdg's & Core	

Schematic



Package



Dimensions

Dim.	(Inches)			(Millimeters)		
	Min.	Max.	Nom.	Min.	Max.	Nom.
A	---	---	1.18	---	---	30.00
B	---	---	1.22	---	---	31.00
C	---	---	.472	---	---	12.00
D	---	---	.984	---	---	25.0
F	---	---	.197	---	---	5.0
G	---	---	1.08	---	---	27.5
H	---	---	.024	---	---	.60
I	---	---	.024	---	---	.60
J	---	---	.138	---	---	3.50
N	---	---	.197	---	---	5.0
M	---	---	.051	---	---	1.3
Q	---	---	1.08	---	---	27.5