

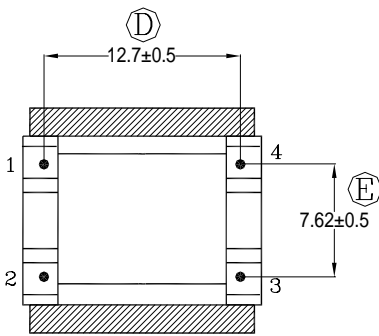
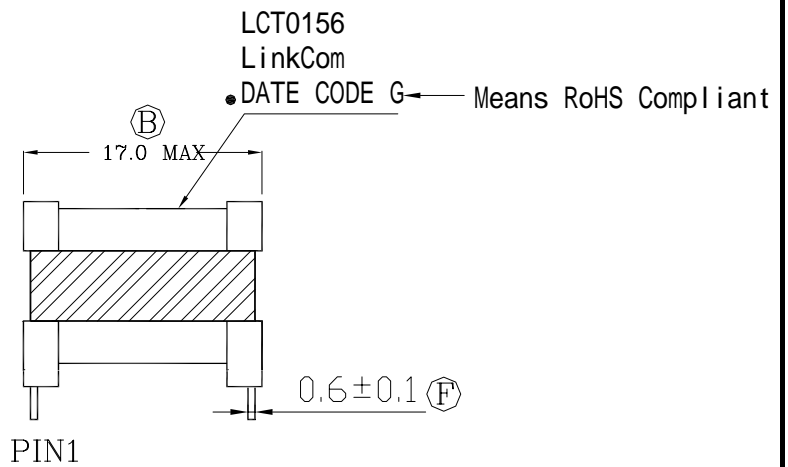
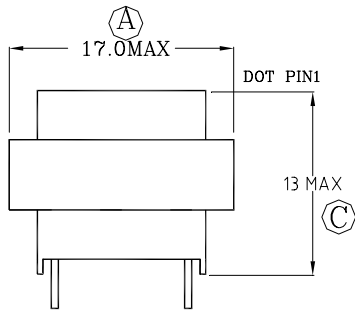
Model NO.	LCT0156	Model Name	Coupling Transformer
Part NO.	LCT0156-70	SIZE	EL-16 DIP 4PIN

## Specification and Dimension

### Electrical characteristic:

	Item	Test Pin	Specifications	Short Pins	Testing Condition	Instruments
1	Inductance	1 - 2	0.5H Min.		1KHz / 1Vrms	WK-3260B
2	Impedance	1 - 2	600Ohm±10%		1KHz / 1.0V	WK-3260B
		4 - 3	600Ohm LOAD			
3	Insertion Loss	1-2:4-3	1.5dB Max.		1KHz	WK-3260B
4	Return Loss	1-2:4-3	13dB Min.		300Hz-4KHz	WK-3260B
5	D.C. Resistance	1 - 2	20ohm±15%		AT 25	WK-3260B
		4 - 3	24ohm±15%			
6	Frequency Response	1-2:4-3	±0.8dB		300Hz-4KHz	WK-3260B
7	Hi-pot	Pri.-Sec.	1850VAC/60Hz		60Seconds/1mA	CH-9072A
8	Turn ratio	1-2:4-3	1:1±2%		10KHz/1V	WK-3260B

### Dimension: (Unit: mm)



BOTTOM VIEW

