

Applications

- IEEE802.16e WiMAX™
- Mobile Computing

Features

- 24.5 dBm output power, at 3.3V, meeting WiMAX Forum spectral mask.
- Integrated PA with step attenuator and power detector, LNAs, TX filters, Switches
- All RF ports matched to 50 Ω
- Supply voltage: 2.9 V – 4.2 V
- Small lead free, ROHS and halogen free compliant package, 6 mm x 6 mm x 1.1 mm, MSL 3
- Coexistence with cellular radios

Product Description

The SE7261A is a complete 2.5-2.7 GHz high performance WiMAX Front End Module (FEM) designed for high power efficiency, and for coexistence with UMTS radios.

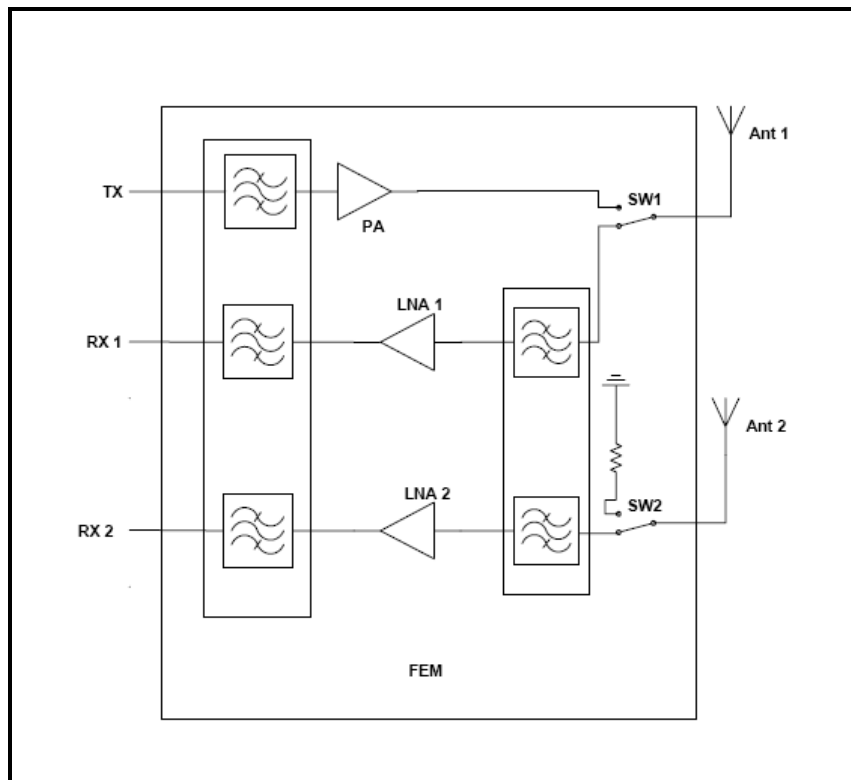
The module is designed to operate with 1 transmit chain and 2 receive chains, supporting Wave 2 operation of WiMAX Forum certified devices.

The SE7261A integrates a power amplifier, two low noise amplifiers, and antenna switches. It also includes filtering for co-existence with cellular radios

Ordering Information

Part No.	Package	Remark
SE7261A	26 pin LGA	Samples
SE7261A-R	26 pin LGA	Tape and Reel
SE7261A-EK1		Evaluation kit

Functional Block Diagram: Figure 1: Functional Block Diagram.



<http://www.sige.com>

Email: sales@sige.com

Customer Service Locations:

North America:
1050 Morrison Drive, Suite 100
Ottawa ON K2H 8K7 Canada

Phone: +1 613 820 9244
Fax: +1 613 820 4933

Hong Kong
Phone: +852 3428 7222
Fax: +852 3579 5450

San Diego
Phone: +1 858 668 3541 (ext. 226)
Fax: +1 858 668 3546

United Kingdom
Phone: +44 1279 464217
Fax: +44 1279 464201

Product Preview

The datasheet contains information from the product concept specification. SiGe Semiconductor, Inc. reserves the right to change information at any time without notification.

Preliminary Information

The datasheet contains information from the design target specification. SiGe Semiconductor, Inc. reserves the right to change information at any time without notification.

Production testing may not include testing of all parameters.

Information furnished is believed to be accurate and reliable and is provided on an "as is" basis. SiGe Semiconductor, Inc. assumes no responsibility or liability for the direct or indirect consequences of use of such information nor for any infringement of patents or other rights of third parties, which may result from its use. No license or indemnity is granted by implication or otherwise under any patent or other intellectual property rights of SiGe Semiconductor, Inc. or third parties. Specifications mentioned in this publication are subject to change without notice. This publication supersedes and replaces all information previously supplied. SiGe Semiconductor, Inc. products are NOT authorized for use in implantation or life support applications or systems without express written approval from SiGe Semiconductor, Inc.

"WiMAX" and "WiMAX Forum" are registered trademarks of the WiMAX Forum.
"WiFi" is a registered trademark of the Wi-Fi Alliance.

Copyright 2009 SiGe Semiconductor, Inc.
All Rights Reserved

