



AND-TFT-64PA

320 x 234 Pixels

LCD Color Monitor

The AND-TFT-64PA is a compact full color TFT LCD module, that is suitable for applications such as a car TV, portable DCD, GPS, multimedia applications and other AV equipment. This device consists of a twisted nematic (TN) liquid crystal cell, that incorporates a TFT-array that has 320 x 234 pixels on a 6.4 inch diagonal screen, X and Y drivers, an LSI controller, and a built-in CCFL backlight and inverter (with optional board.)

Features

- 6.4 inch (16 cm) diagonal screen
- Compatible with NTSC & PAL system
- High brightness CCFL backlight (300 Nits)
- Slim and compact
- Operating temperature range -20 to 70° C
- Storage temperature range -30 to 80° C
- 12V single power supply (with optional board)
- High brightness
- **RoHS compliant**

Mechanical Characteristics

Item	Specification	Unit
Screen Size	6.4 inch (16 cm) diagonal	inch
Surface Treatment	Anti-Glare + WV film	–
Display Format	320 (W) x 234 (H)	dot
Active Area	129.6 (W) x97.34 (H)	mm
Dot Pitch	0.135 (W) x 0.416 (H)	mm
Pixel Configuration	Stripe	–
Outline Dimensions	156.3 typ. (W) x 119.8 (H) x 14.3 typ (D)	mm
Weight	235	g

Absolute Maximum Rating

Item	Symbol	Conditions	Absolute Maximum Rating		Unit	
			Min.	Max.		
Supply Voltage for Source Driver	Analog	V_{CC}	–	-0.3	+7.0	V
	Digital	V_{DD}	–	-0.3	+7.0	
Supply Voltage for Gate Driver	Positive	V_{GH}	–	-0.3	+45	V
	Negative	V_{GL}	–	-23	+0.3	V
		$V_{GH} V_{GL}$	–	+15	+40	V
Analog input voltage (V_R, V_G, V_B)	V_{DD}	–	-0.3	+7.3	V	
Digital input signals	–	$\overline{HSY}, \overline{POLC}, \overline{CSY}, \overline{VSY}, \overline{CLKC}$	-0.5	+5.5	V	
Digital output signals	–	$\overline{PSI}, \overline{COMPS}, \overline{VIY}$	-0.5	+5.5	V	
Storage Temperature	–	–	-30	+80	°C	
Operation Temperature (defines that contrast, response time & other display optical characteristics are $T_a=+25$.)	–	–	-20	+70	°C	

Product specifications contained herein may be changed without prior notice.

It is therefore advisable to contact Purdy Electronics before proceeding with the design of equipment incorporating this product.

Purdy Electronics Corporation • 720 Palomar Avenue • Sunnyvale, CA 94085



Electrical Specification

Item	Symbol	Conditions	Specifications			Units
			Min.	Typ.	Max.	
Current Consumption for Driver	I_{GH}	$V_{GH} = +17V$	–	0.07	0.08	mA
	I_{GL}	$V_{GL} = -15V$	–	9.81	10.31	mA
	I_{CC}	$V_{CC} = +5V$	–	6.67	7.65	mA
	I_{DD}	$V_{DD} = +5V$	–	22.22	24.64	mA
Lamp voltage	V_L	$I_L = 6mA$	450	560	730	Vrms
Lamp current	I_L	–	4	6	8	mA
Lamp frequency	F_L	The waveform of lamp driving voltage should be as close to a perfect SIN wave as possible	40	60	80	KHz
Kick-off voltage (25°C)	V_S	–	–	730	840	Vrms
Power Consumption	for LCD Panel	–	–	292.79	–	mW
	for Backlight Lamp*	–	calculated by $I_L \cdot V_L$		–	W
	TOTAL	–	–	3.65	–	W

* The power consumption for backlight is not included

Recommended Operating Conditions

Item	Symbol	Conditions	Specifications			Unit
			Min.	Typ.	Max.	
Power Supply	V_{CC}	–	+4.5	+5.0	+5.5	V
	V_{DD}	–	+4.5	+5.0	+5.5	V
	V_{GH}	–	+15.0	+17.0	+19.0	V
	V_{GL}	DC Component of V_{GL}	-16.0	-15.0	-14.0	V
Video Signal (V_R, V_G, V_B)	V_{iAC}	AC Component	–	+4.0	+4.2	V _{P-P}
	V_{iDC}	DC Component	–	+2.5	–	V
Digital Input Voltage	H Level	V_{IH}	+0.7 V_{DD}	–	V_{DD}	V
	L Level	V_{IL}	-0.3	–	+0.3 V_{DD}	V
Digital Output Voltage	H Level	V_{OH}	+0.7 V_{DD}	–	V_{DD}	V
	L Level	V_{OL}	-0.3	–	+0.3 V_{DD}	V

Backlight Driving and Power Consumption

Pin No.	Symbol	Description
1	VL1	Input terminal (Hi voltage side)
3*	VL2	Input terminal (Low voltage side)

* Low voltage side of backlight inverter connects iwth Ground of inverter circuits.



Optical Specifications

Item		Symbol	Conditions	Specifications			Unit
				Min.	Typ.	Max.	
Viewing Angle	Horizontal	θ	CR>10	± 50	± 60	–	deg
	Vertical	θ (to 12 o'clock)		35	40	–	deg
		θ (to 6 o'clock)		50	55	–	deg
Contrast Ratio		CR	at optimized viewing angle*	110	150	–	–
Response Time	Rise	Tr	$\theta = 0^\circ$	–	15	30	ms
	Fall	Tf		–	25	50	ms
Transmission Ratio		T	–	7.5	8.0	8.5	%
Uniformity ***		U	–	70	75	–	%
Brightness **		LUM	–	300	330	–	cd/m ²
White Chromaticity **		x	$\theta = 0^\circ$	0.280	0.310	0.340	–
		y		0.300	0.330	0.360	–
		Tc		TBD	TBD	TBD	–
Lamp Life Time	+25°C	–	+25°C	10,000	–	–	hr

* Note: Contrast Ratio is measured in optimum common electrode voltage.

$$CR > \frac{\text{Luminance when LCD is White}}{\text{Luminance when LCD is Black}}$$

- ** 1. Topcon BM-7 (fast) luminance meter 2.0 field of view is used in the testing (after 20~30 minutes operation.)
- 2. Lamp Current: 6mA
- 3. Inverter model: TDK-347.

*** The uniformity of LCD is defined as:

$$U = \frac{\text{The Minimum Brightness of the 9 testing Points}}{\text{The Maximum Brightness of the 9 testing Points}}$$

Luminance meter: BM-5A or MB-7 fast (TOPCON)
 Measurement distance: 500mm +/- 50 mm
 Ambient illumination: < 1 Lux
 Measurement direction: Perpendicular to the surface of module.
 The test pattern is white (Gray Level 63.)

1. Input/Output Connector

A) **LCD Connector: 6200-20P (Molex)**
 FFC Up Connector
 20 Pins
 Pitch: 1.0 mm

B) **Backlight Connector: JST BHR-03VS-1**
 Pin No: 3
 Pitch: 4.0 mm
 Pink: High Voltage
 White: Low Voltage



Interface Pin Assignment Connector 1: Connector 1 (28 Pins) (Elco) 6200-500-28-800

Pin No.	Symbol	Function	I/O
1	HSY	Horizontal Sync. Input / Output	Input/Output
2	POLC	Video Polarity Alternating Signal	Output
3	CSY/MCLK	Composite Sync. Signal / Mclk Signal	Input
4	V _{GH}	Gate on voltage	Input
5	V _{GL}	Gate off voltage (alternate every 1-H)	Input
6	V _B	Video Input B	Input
7	V _R	Video Input R	Input
8	V _G	Video Input G	Input
9	GND	Ground	Input
10	V _{DD}	Digital power input	Input
11	V _{CC}	Logic power for gate driver	Input
12	GND	Ground	Input
13*	CLKC	Control pin for select I/O signal	Input/Output
14	VS _Y	Vertical Sync. Input / Output	Input/Output
15	PSI	Synchronize pulse for external clock	Input
16	COMPS	Select composite sync. mode & sync. separate mode	Input
17	VI _Y	Vertical sync. input pin for sync. separate mode	Input
18	U/D	Up/Down control for gate driver	Input
19	R/L	Left/Right control for gate driver	Input
20	NP	NTSC/PAL Input	Input

1. Pin 13 (CLKC) can select the function of pin 1 (HSY), 3 (CSY), and 14 (VS_Y) as follows:

CKC	Pin 1 (HSY)	Pin 3 (CSY)	Pin 14 (VS _Y)
Hi	HSY output	CSY input	VS _Y output
Low	External Horizontal Sync. input	External Clock input	External Vertical Sync input

2. CKC = High:

a.	If CKC = 1, the phase lock loop (pll) is adopted in the LCD module.
b.	Inputs CSY, the controller of LCD module will separate the Vertical Sync and Horizontal Synch from CSY.
c.	Out put Horizontal Sync (HSY , Pin 1) and Vertical Sync (VS _Y , Pin 14.)
d.	The internal detect will detect Vertical Sync to reset the vertical counter.

3. CKC = Low:

a.	If CKC = 0, the phase lock loop (PLL) is not adopted in the LCD module.
b.	If CKC = 0, the external clock input frequency of Pin 3 is 6.4 MHz.
c.	Input external Vertical Sync. (VI _Y , Pin 17) and Horizontal Sync. (Pin1) to synchronize the LCD module. External Horizontal Sync and External Vertical Sync. input pulse can be high going or low going.
d.	The pulse width of external Horizontal SYnc. input is 4.7 μs ±2 μs. The pulse width of external Vertical Sync. input is 2H~4H.
e.	The pulse length of external input Vertical Sync. of system is 262H ±4H.

4. If there is any question about CKC = 0, please contact Purdy Electronics.

5. V_{GH} TYP._+17V ; V_{GL} TYP._-15V ; V_{DD} TYP._+5V ; V_{CC} TYP._+5V

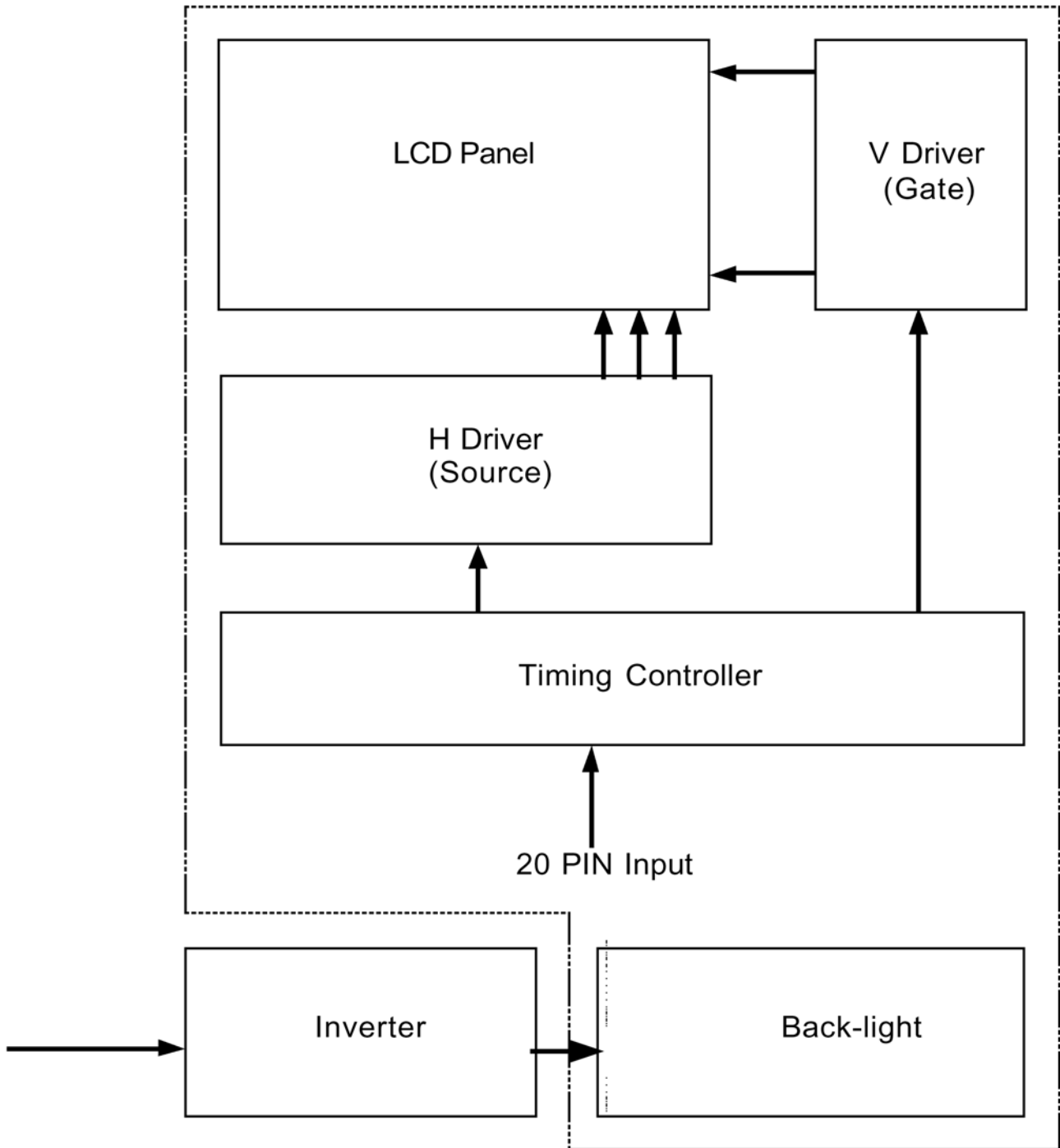
6. The frequency of PSI is 15.75 KHz.

7. Pin 16 (COMPS) can select composite sync. mode OR sync. separate mode

Pin 16 (COMPS)	Pin 3 (CSY)	Pin 17 (VI _Y)
Hi	CSY (Positive Edge)	NC
Low	H _{sync} (Negative Edge)	V _{sync} (Negative Edge)

- 8. Default Hi (+5V) for shift Right; Input Low (0V) for inverst (shift Left.)
- 9. Default Hi (+5V) for DOWN; Low (0V) for UP.
- 10. NTSC = Hi (+5V), PAL = LOW (0V).

Block Diagram



Dimensional Outline

General mechanical tolerance = 0.5mm

