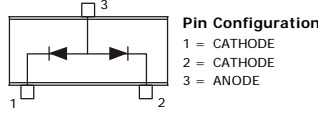
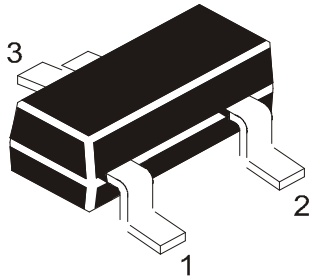


SILICON PLANAR DUAL SWITCHING DIODES

BAW74



SOT-23
Formed SMD Package

Marking
BAW74 - JD

High-Speed Switching Dual Diodes, Common Anode

ABSOLUTE MAXIMUM RATINGS

DESCRIPTION	SYMBOL	VALUE	UNIT
Maxium Repetitive Reverse Voltage	V_{RRM}	50	V
Average Rectified Forward Current	$I_{F(AV)}$	200	mA
Power Dissipation $T_a=25^\circ\text{C}$	P_D	350	mW
Non Repetitive Peak Forward Surge Current	I_{FSM}	1	A
		2	A
Storage Temperature Range	T_{stg}	- 55 to +150	$^\circ\text{C}$
Operating Junction Temperature	T_j	150	$^\circ\text{C}$

THERMAL RESISTANCE

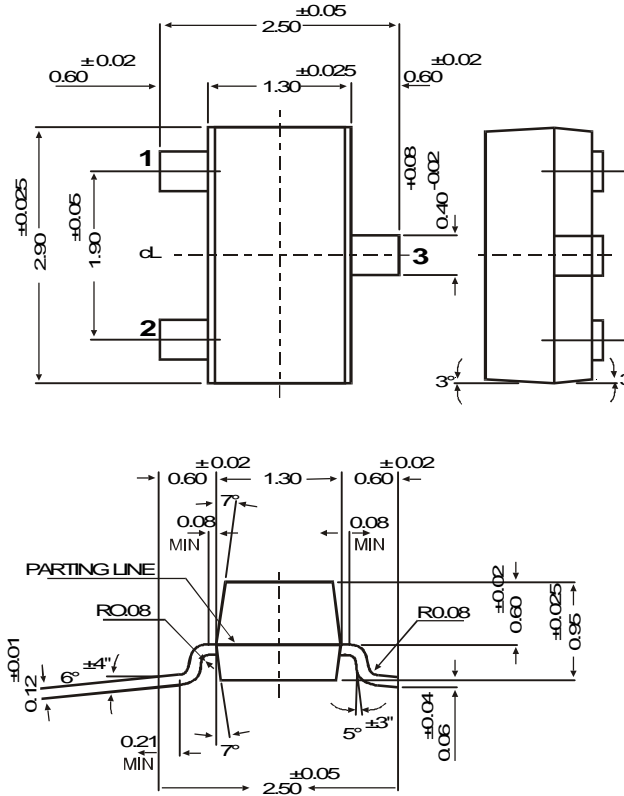
Junction to Ambient in free air	$R_{th(j-a)}$	357	$^\circ\text{C/W}$
---------------------------------	---------------	-----	--------------------

ELECTRICAL CHARACTERISTICS ($T_a=25^\circ\text{C}$ unless specified otherwise)

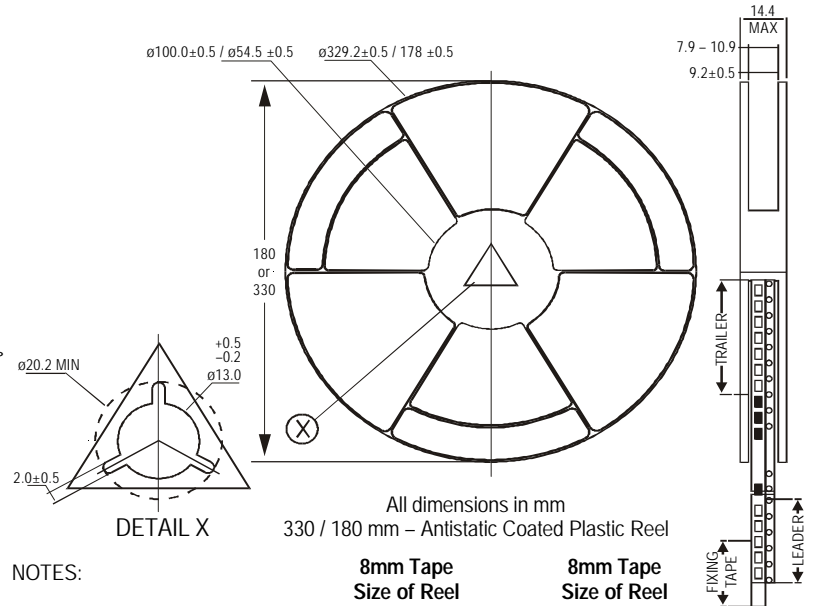
DESCRIPTION	SYMBOL	TEST CONDITION	MIN	MAX	UNIT
Breakdown Voltage	V_R	$I_R = 100\mu\text{A}$	50		V
Forward Voltage	$*V_F$	$I_F = 100\text{mA}$		1	V
Reverse Current	$*I_R$	$V_R=50\text{V}$		100	nA
		$V_R=50\text{V}, T_a=150^\circ\text{C}$		100	μA
Total Capacitance	C_T	$V_R=0\text{V}, f=1\text{MHz}$		2	pF
Reverse Recovery Time	t_{rr}	$I_F=I_R=10\text{mA}, I_{RR}=1\text{mA}, R_L=100\Omega$		4	ns

*Pulse Test : Pulse Width =300ms, Duty Cycle=2%

SOT-23 Formed SMD Package



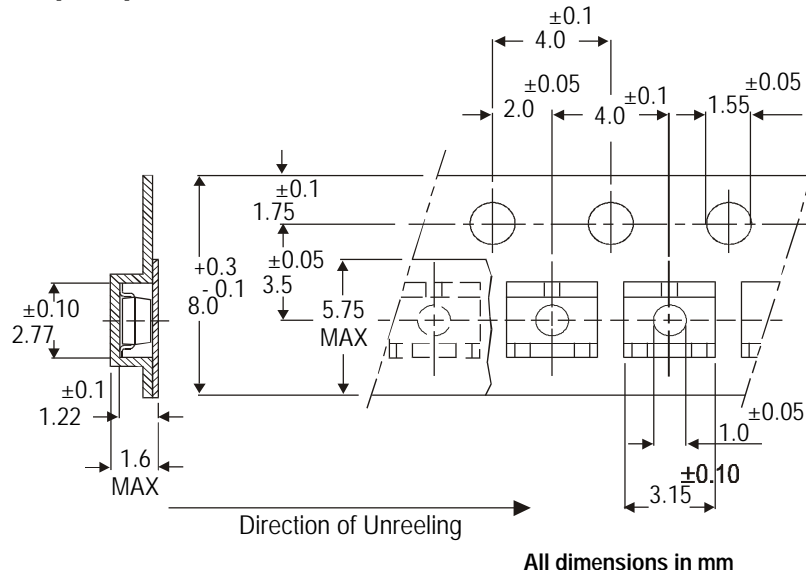
SOT-23 Package Reel Information
Reel Specifications for W Packing (13") and 7"



NOTES:

- | No. of Devices | 8mm Tape Size of Reel | 8mm Tape Size of Reel |
|----------------|-----------------------|-----------------------|
| | 330 mm (13") | 180 mm (7") |
| | 10,000 Pcs | 3,000 Pcs |
- The bandolier of 330 mm reel contains at least 10,000 devices.
 - The bandolier of 180 mm reel contains at least 3,000 devices.
 - No more than 0.5% missing devices / reel. 50 empty compartments for 330 mm reel. 15 empty compartments for 180 mm reel.
 - Three consecutive empty places might be found provided this gap is followed by 6 consecutive devices.
 - The carrier tape (leader) starts with at least 75 empty positions (equivalent to 330 mm). In order to fix the carrier tape a self adhesive tape of 20 to 50 mm is applied. At the end of the bandolier at least 40 empty positions (equivalent to 160 mm) are there.

Tape Specification for SOT-23 Surface Mount Device



Packing Detail

PACKAGE	STANDARD PACK		INNER CARTON BOX		OUTER CARTON BOX		
	Details	Net Weight/Qty	Size	Qty	Size	Qty	Gr Wt
SOT-23 T&R	3K/feel	136 gm/3K pcs	3" x 7.5" x 7.5"	12 K	17" x 15" x 13.5"	192 K	12 kgs
			9" x 9" x 9"	51 K	19" x 19" x 19"	408 K	28 kgs
	10K/feel	415 gm/10K pcs	13" x 13" x 0.5"	10 K	17" x 15" x 13.5"	300 K	16 kgs