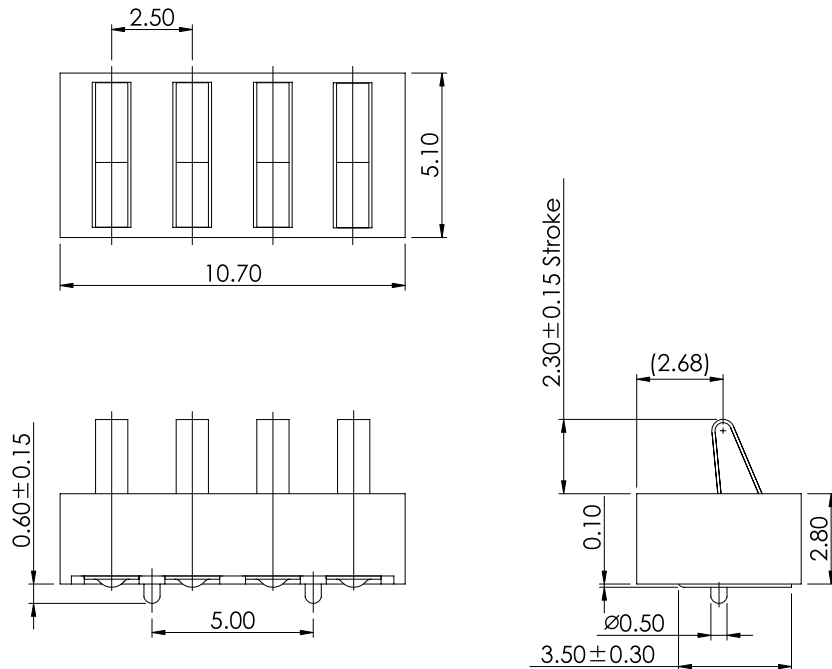


060131MA Series

Specifications:

- **Insulator Material** : Black Thermo Plastic UL94V-O
- **Operating Type Range** : -40°C TO +105°C
- **Terminal Material** : Phos. Bronze
- **Platings** : Contact-Selective Gold
- **Max. Current Rating** : 0.5A
- **Max. Voltage Rating** : 100V AC
- **Dielectric Strength** : 500V AC For 60 Seconds



Mobile

BATTERY

Order Information

060131MA004□□00ZL
 1 2 3 4 5

1. 'A' : Straight SMT Type
 2. No. of pins.
 3. Plating
 4. Color 'Z' : Black
 5. Package
- 'L' : Reel Package Without Cap
 Reference Page 11

Recommended P.C.B Layout

