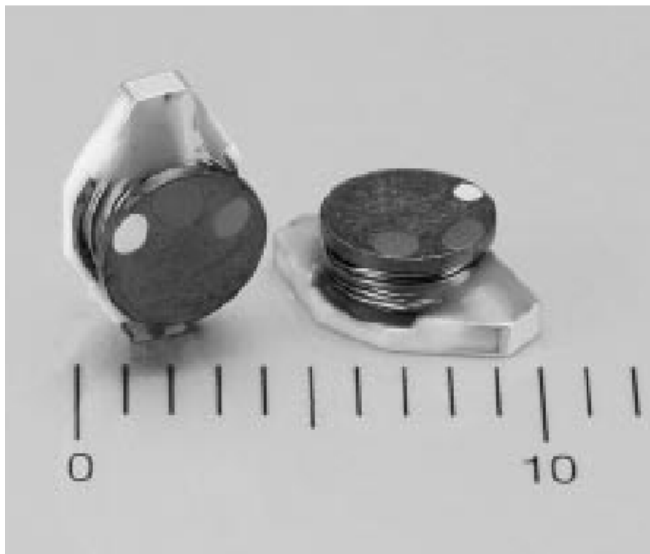


SMT Power Inductors – DO1607 Series



This series has been discontinued as of March 1, 2000.

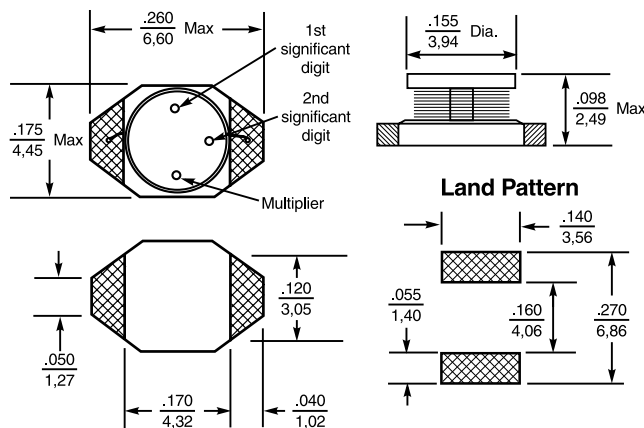
Please consider our DO1606 Power Wafer® or DO1608 Series. (The DO1607BL backlight inductor series is not affected.)

These tiny, low-profile inductors are designed for PCMCIA Type II and other space-conscious applications. Only 0.098 (2,49) high, they have a footprint of 0.26 x 0.175 (6,6 x 4,5).

The DO1607 Series is ideal for DC-DC conversion in notebook computers, pagers, PDAs, flash memory programmers, and all types of battery powered equipment.

The inductors are constructed of high temp materials that provide excellent heat deflection to prevent damage during solder reflow. They are packaged on either 7" or 13" reels.

Standard inductance values range from 1 to 33 μH and custom values are available to meet specific requirements.



Parts/reel: 7" 750; 13" 2500 Tape width: 12 mm
For packaging data see Tape and Reel Specifications section

Part number ¹	Inductance ² ($\mu\text{H} \pm 20\%$)	DCR max (Ohms)	SRF typ (MHz)	Isat ³ (A)	Irms ⁴ (A)
DO1607C-102	1.0	0.090	180	2.3	2.7
DO1607C-152	1.5	0.090	140	2.1	2.5
DO1607C-222	2.2	0.100	125	1.8	2.1
DO1607C-332	3.3	0.120	100	1.6	1.9
DO1607C-472	4.7	0.130	80	1.2	1.8
DO1607C-682	6.8	0.165	60	0.96	1.6
DO1607C-103	10	0.190	50	0.88	1.5
DO1607C-153	15	0.320	40	0.72	1.1
DO1607C-223	22	0.540	30	0.56	1.0
DO1607C-333	33	0.740	20	0.46	0.9

For environmental data see Product Specifications section.

- Part number on reel label will have a suffix to indicate packaging:
C = machine ready 7" reel, B = partial reel, D = machine-ready 13" reel.
- Inductance tested at 100 kHz, 0.1 Vrms.
- DC current at which the inductance drops 10% (typ) from its value without current.
- Average current for 15°C temperature rise from 25°C.
- Operating temperature range -40°C to +85°C.
- Electrical specifications at 25°C.

Coilcraft®

Specifications subject to change without notice. Document 199 Revised 5/19/99

1102 Silver Lake Road Cary, Illinois 60013 Phone 847/639-6400 Fax 847/639-1469

E-mail info@coilcraft.com Web <http://www.coilcraft.com>