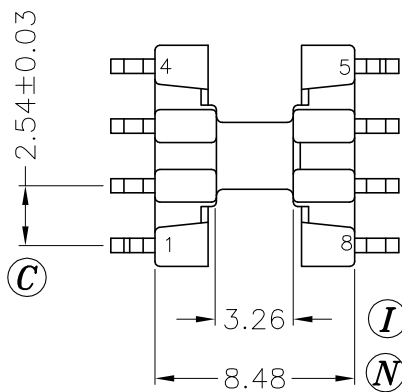
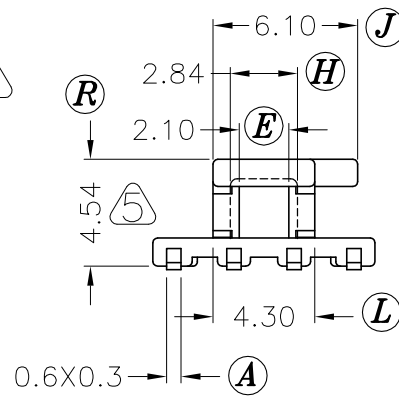
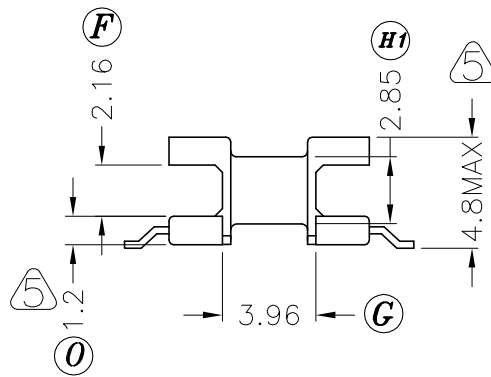
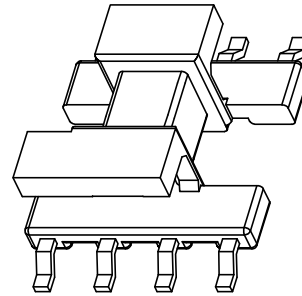
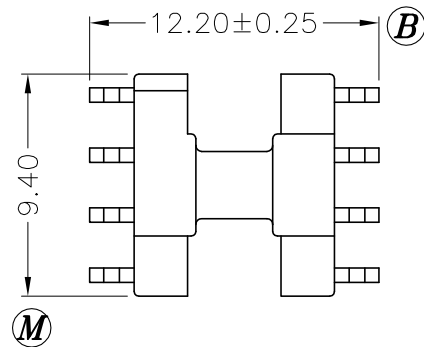


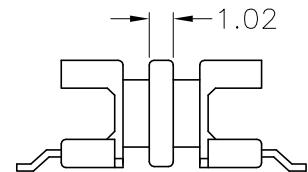
FERYSTER Inductive Components

ul. Traugutta 4 , 68-120 Iłowa Poland

http://www.feryster.com.pl e-mail: info@feryster.com.pl



DRAWING NO:	MATERIAL:	ORIGIN:
S-809-1	PM9630	SZ



DOSTAWCA:	TOLERANCES		ANGLE: $\pm 1^\circ$	TITLE: E8.8-K-H-8P-SMD-DS		
	± 0.12	COPLANARITY 0.1 MAX	UNIT: MM	BOBBIN MATERIAL: PHENOLIC PM9630	UL REC. UL 94V-0	
FERYSTER Inductive Components Tel: +48 68 360 00 76 fax: +48 68 360 00 70			ORIGIN: SZ	PIN MATERIAL: PHOSPHOR BRONZE	PIN TENSION LOAD: 1.0 KG MIN	
			DATE: APR 02.2003	DRAWING NO. S-809-1	REV. 9	