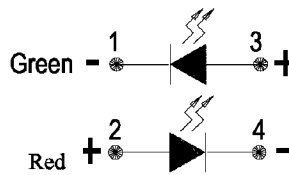
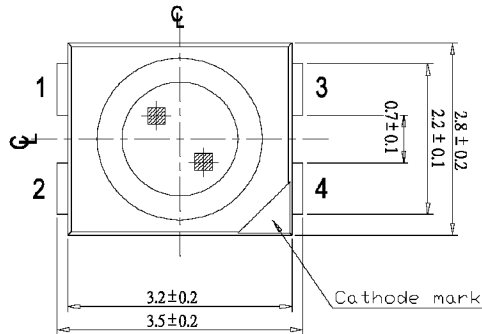


JRGC0678

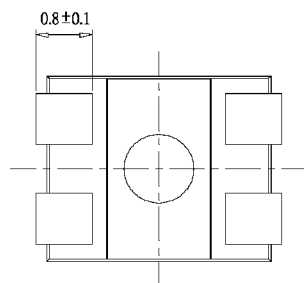
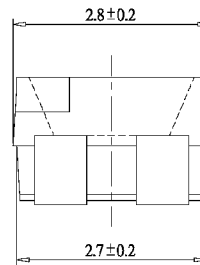
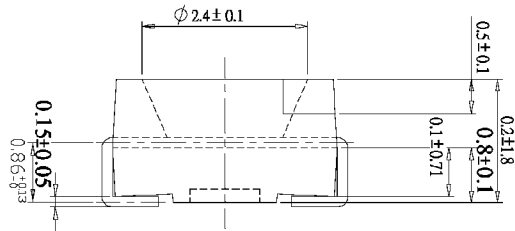
Page 1 of 2



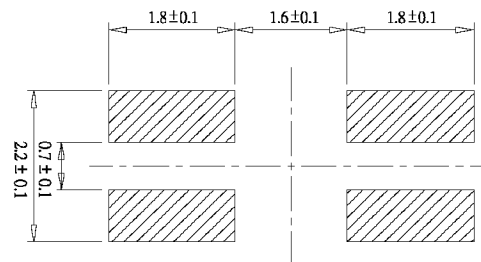
The 0678 series lamps are miniature chip type designed for surface mounting. These lamps are the so-called “Top LED” type, measuring approximately 2.8 x 3.5 mm.



RoHS Compliant
Aug 2004



For reflow soldering (propose)



PART NO.	Chip		Lens Color
	Material	Emitted Color	
JRGC0678	AlGaInP	Hyper Red	Water Clear
	AlGaInP	Super Yellow Green	

* Specifications subject to change without notice. Dimensions are in mm±0.1 unless stated otherwise.

IDEA, Inc., 1351 Titan Way, Brea, CA 92821 Ph:714-525-3302, 800-LED-IDEA; Fax: 714-525-3304 0507

Absolute Maximum Ratings at $T_a = 25\text{ }^\circ\text{C}$

Parameter	Symbol		Rating	Units
Forward Current	I_F	SUR	25	mA
		SYG	25	
Operating Temperature	T_{opr}		-40 to +85	$^\circ\text{C}$
Storage Temperature	T_{stg}		-40 to +90	$^\circ\text{C}$
Soldering Temperature	T_{sol}	SUR	245 (for 5 seconds)	$^\circ\text{C}$
		SYG	260 (for 5 seconds)	
Electrostatic Discharge	ESD		2000	V
Power Dissipation	P_d	SUR	60	mW
		SYG	60	
Peak Forward Current (Duty 1/10 @ 1KHz)	I_F (Peak)		160	mA
Reverse Voltage	V_R		5	V

Electronic Optical Characteristics

Parameter	Symbol		Min.	Typ.	Max.	Units	Condition
Luminous Intensity	I_V	SUR	24	59	—	mcd	$I_F = 20\text{ mA}$
		SYG	16	24	—		
Viewing Angle	$2\theta_{1/2}$		—	120	—	deg	$I_F = 20\text{ mA}$
Peak Wavelength	λ_p	SUR	—	632	—	nm	$I_F = 20\text{ mA}$
		SYG	—	575	—		
Dominant Wavelength	λ_d	SUR	—	624	—	nm	$I_F = 20\text{ mA}$
		SYG	—	573	—		
Spectrum Radiation Bandwidth	$\Delta\lambda$	SUR	—	20	—	nm	$I_F = 20\text{ mA}$
		SYG	—	20	—		
Forward Voltage	V_F	SUR	—	2.0	2.4	V	$I_F = 20\text{ mA}$
		SYG	—	2.0	2.4		
Reverse Current	I_R		—	—	10	μA	$V_R = 5\text{ V}$

* Specifications subject to change without notice. Dimensions are in mm \pm 0.1 unless stated otherwise.