



TAI-SAW TECHNOLOGY CO., LTD.

No. 3, Industrial 2nd Rd., Ping-Chen Industrial District,
Taoyuan, 324, Taiwan, R.O.C.

TEL: 886-3-4690038 FAX: 886-3-4697532

E-mail: tstsales@mail.taisaw.com Web: www.taisaw.com

Approval Sheet For Product Specification

Issued Date:

Product Name: SAW Filter 374MHz SMD 3.8×3.8 mm

TST Parts No.:TB0316A

Customer Parts No.: _____

Company: _____
Division: _____
Approved by : _____
Date: _____

Checked by: _____ Andy Lee

Approval by: _____ Francis Chen

Date: _____ 2005/08/15



TAI-SAW TECHNOLOGY CO., LTD.

No.3, Industrial 2nd Rd., Ping-Chen Industrial District, Taoyuan, Taiwan, R.O.C.

TEL: 886-3-4690038 FAX: 886-3-4697532

E-mail: tstsales3@mail.taisaw.com Web: www.taisaw.com

SAW Filter 374MHz (BW=5MHz) (SMD 3.8×3.8 mm)

MODEL NO.: TB0316A

REV. NO.:1

A. MAXIMUM RATING:

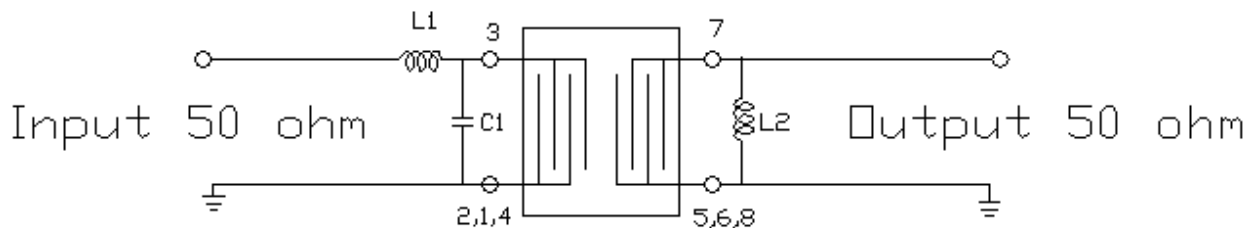
1. Input Power Level: 10 dBm
2. Storage Temperature: -40°C to 85°C
3. Operating Temperature: -40°C to 85°C

RoHS Compliant
Lead free
Lead-free soldering

B. ELECTRICAL CHARACTERISTICS:

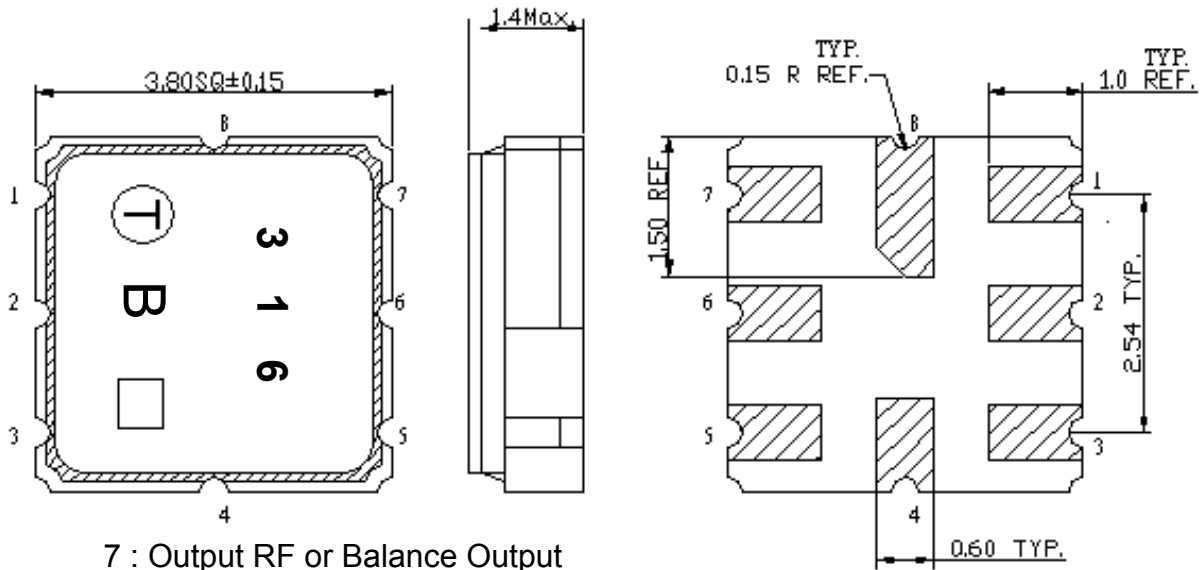
Item	Unit	Min.	Typ.	Max.	Note
Center frequency, Fc	MHz	-	374	-	-
Minimum Insertion Loss, IL	dB	-	11	12	-
1 dB Bandwidth	MHz	5	7.3	-	-
3 dB Bandwidth	MHz	-	9.5	11	-
Pass ripple (Fc±2.5MHz)	dB		0.5	1	
Group delay ripple	nS		24	100	
Attenuation:(Reference level from Min IL)					
274MHz~354MHz	dB	40	45	-	-
354MHz~360MHz	dB	35	44		-
388MHz~394MHz	dB	35	39		-
394MHz~474MHz	dB	40	43	-	-

C. MEASUREMENT CIRCUIT:



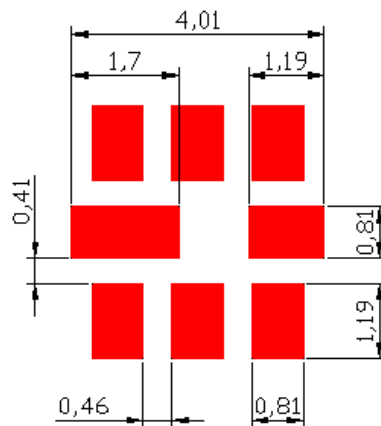
L1=8nH C1=15pF L2=27nH

D.OUTLINE DRAWING:



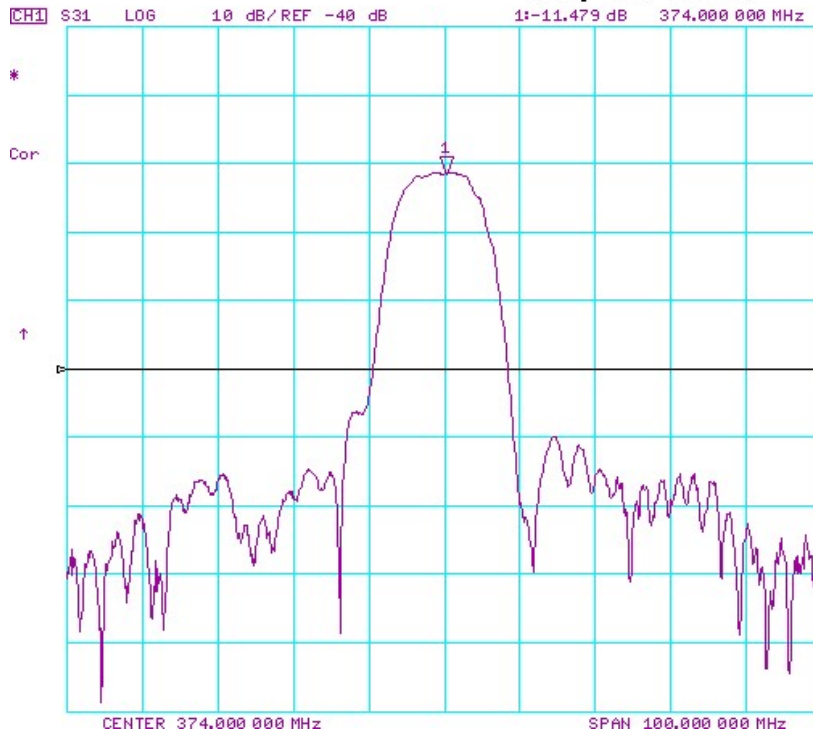
- 7 : Output RF or Balance Output
- 6 : Output RF Ground or Balance Output Return
- 3 : Input RF or Balance Input
- 2 : Input RF Ground or Balance Input Return
- 1,4,5,8: Ground
- : Date Code
- Unit: mm

E.PCB FOOTPRINT:

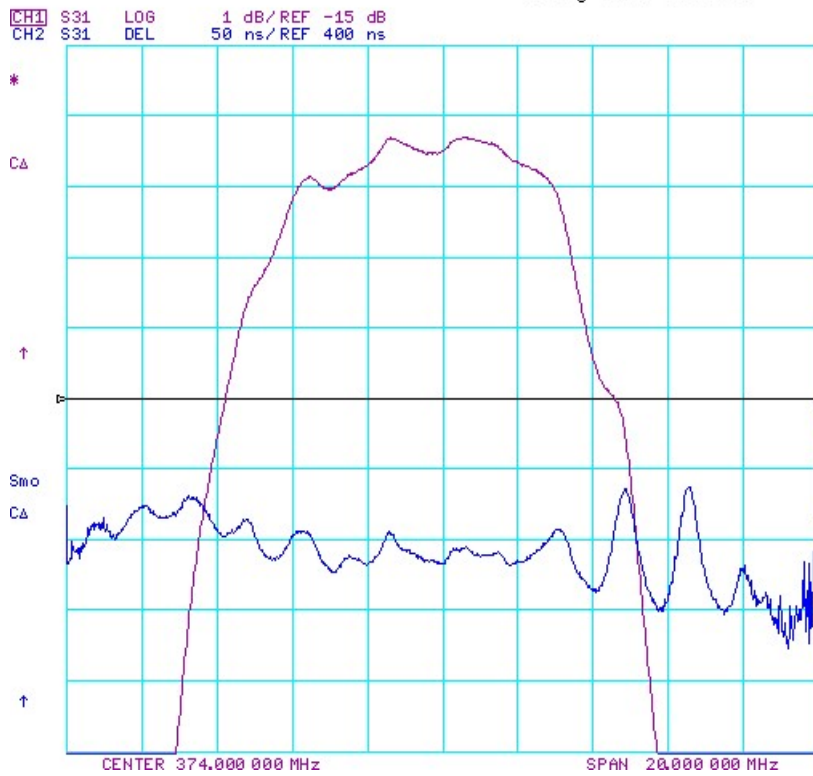


F. Transfer Function :

1. wide band :

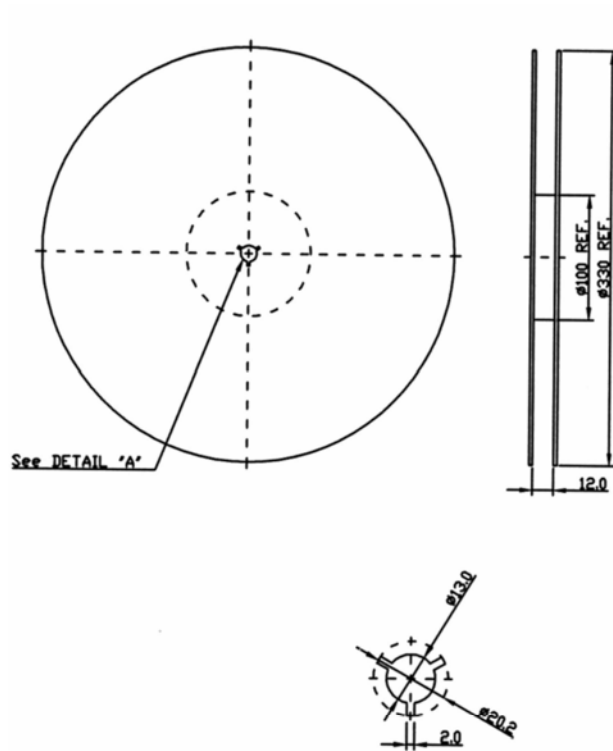


2. Pass band :



G. PACKING:

1. REEL DIMENSION



2. TAPE DIMENSION

