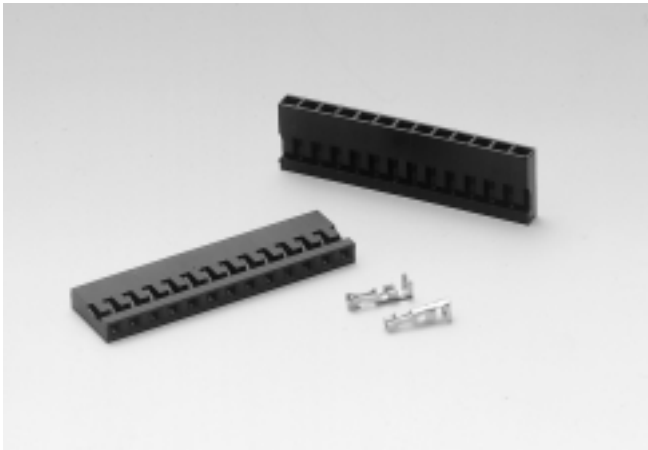


2.0mm SINGLE ROW CRIMP HOUSING & CRIMP TERMINAL



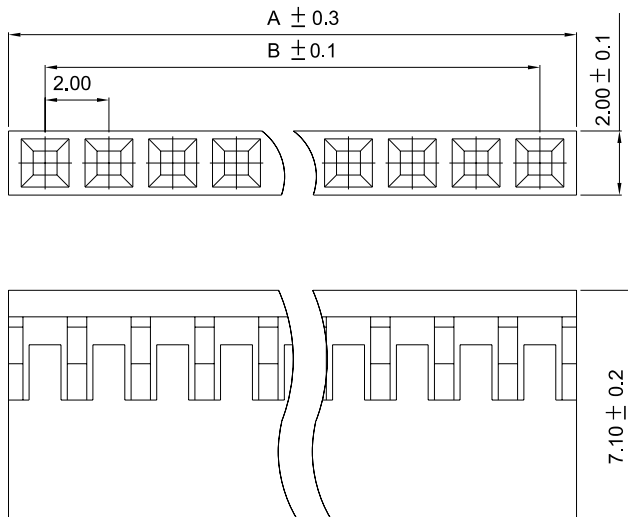
200123F Series

Mates With SUYIN 200110, 200111, 200198 Series

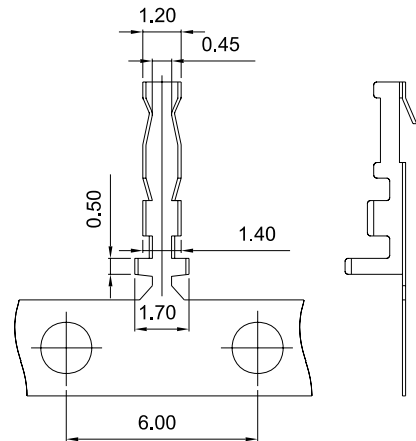
Specifications:

- 2-25 Circuits
- Insulator Material : Black P.B.T plastic
- Max Processing Temp. : -20°C to +85°C
- Terminal Material : Pho.bronze
- Plating : Contact-CT-223 Full Gold Plated
- Max. Current Rating : 1.5A
- Voltage Rating : 150V AC
- Dielectric Strength : 500V (Min. 60 Seconds)

2.0
mm



200123FT100P2 (For #24AWG~#30AWG)



Order Information I

200123F□□□00ZA
1 23

1. No. of Housing
2. Color 'Z': Black
3. Housing Material: 'A': PBT

Order Information II

200123F□□00P2
1

1. Plating

Dimensional Information

SUYIN P/NO.	DIM.A	DIM.B
200123F00200ZA	4.0	2.0
200123F00300ZA	6.0	4.0
200123F00400ZA	8.0	6.0
200123F00500ZA	10.0	8.0
200123F00600ZA	12.0	10.0
200123F00700ZA	14.0	12.0
200123F00800ZA	16.0	14.0
200123F00900ZA	18.0	16.0
200123F01000ZA	20.0	18.0
200123F01100ZA	22.0	20.0
200123F01200ZA	24.0	22.0
200123F01300ZA	26.0	24.0

SUYIN P/NO.	DIM.A	DIM.B
200123F01400ZA	28.0	26.0
200123F01500ZA	30.0	28.0
200123F01600ZA	32.0	30.0
200123F01700ZA	34.0	32.0
200123F01800ZA	36.0	34.0
200123F01900ZA	38.0	36.0
200123F02000ZA	40.0	38.0
200123F02100ZA	42.0	40.0
200123F02200ZA	44.0	42.0
200123F02300ZA	46.0	44.6
200123F02400ZA	48.0	46.0
200123F02500ZA	50.0	48.0