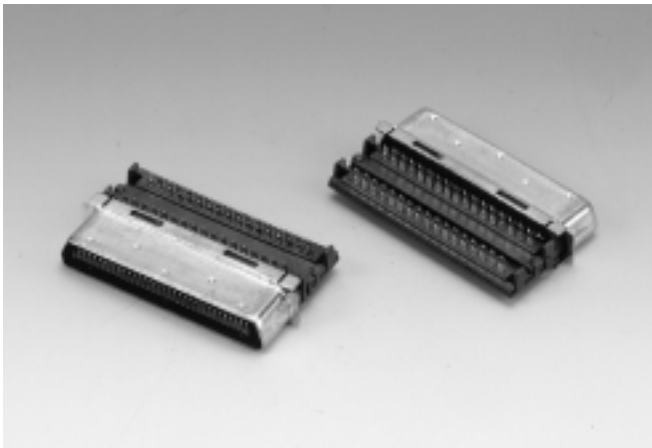


(MALE R/A DIP TYPE)

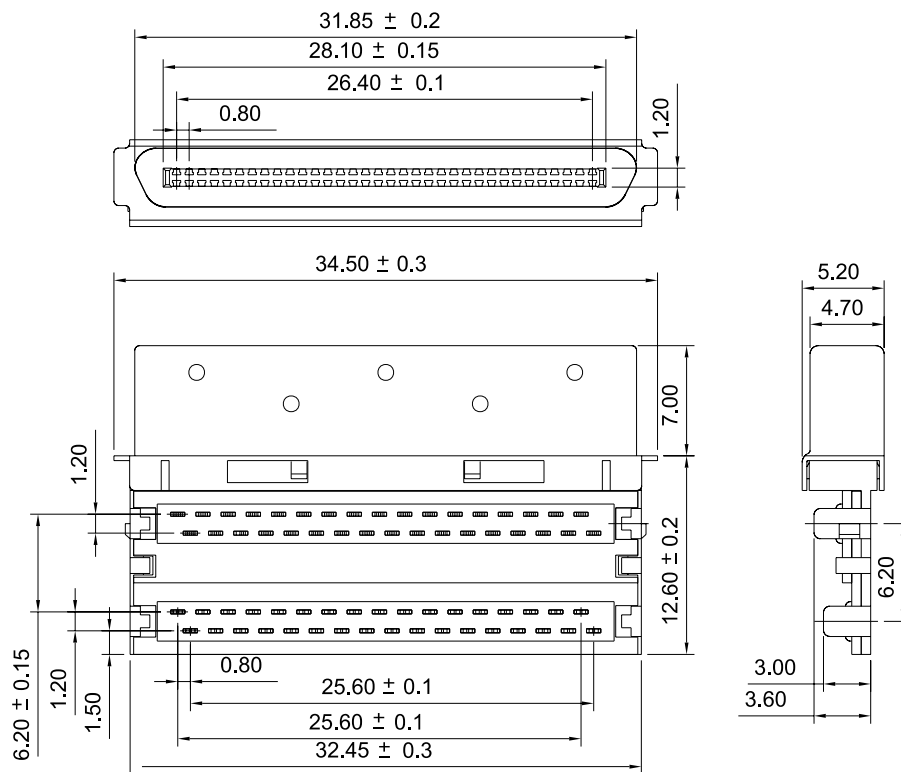


800217MC Series

Mates with SUYIN 800216FR Series

Specifications:

- **Insulator Material** : High Temp. Plastic
- **Operating Temp. Range** : -40°C to +105°C
- **Terminal Material** : Phosphor Bronze
- **Plating** : Gold Plating
- **Max. Current Rating** : 0.5A
- **Voltage Rating** : 100V AC
- **Dielectric Strength** : 500V (Min. 60 Seconds)



I/O

Order Information

800217MC068□□00ZL
 1 2 3 4 5

1. 'C' : Crimp Pin
 2. No. of Pins
 3. Plating
 4. Color 'Z' : Black
 5. Package
- 'L' : Reel Package Without Cap
- Reference Page 11