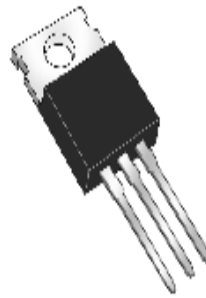


Main Product Characteristics:

IF	2×5A
VRRM	100V
T _j (max)	150C
Vf(max)	0.8V



Features and Benefits:

- High Junction Temperature
- High ESD Protection, IEC Model ±10Kv
- High Forward & Reverse Surge capability

Description:

Schottky Barrier Rectifier designed for high frequency switch model power supplies such as adaptors and DC/DC convertors; this product special design for high forward and reverse surge capability

TO220
SSBR10100CT

TO220F
SSBR10100CTF

Absolute Rating:

Symbol	Characterizes	Value	Unit
V _{RRM}	Peak Repetitive Reverse Voltage	100	V
V _{R(RMS)}	RMS Reverse Voltage	70	V
I _{F(AV)}	Average Forward Current	Per diode	5 A
		Per device	10 A
I _{FSM}	Non Repetitive Surge Forward Current(tp=8.3ms sinusoidal)	120	A
I _{RRM}	Peak Repetitive Reverse Surge Current(Tp=2us)	1	A
T _J	Maximum operation Junction Temperature Range	-50~150	°C
T _{stg}	Storage Temperature Range	-50~150	°C

Thermal Resistance

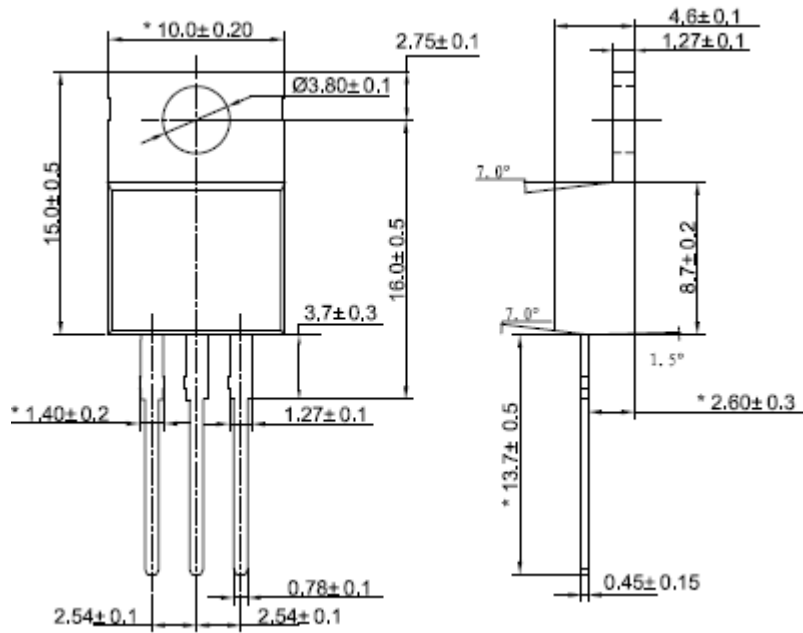
Symbol	Characterizes	Value	Unit
R _{θJC}	Maximum Thermal Resistance Junction To	TO220	2 °C/W
R _{θJC}	Case	TO220F	4 °C/W

Electrical Characterizes @T_A=25°C unless otherwise specified

Symbol	Characterizes	Min	Typ	Max	Unit	Test Condition
V _R	Reverse Breakdown Voltage	100			V	I _R =0.5mA
V _F	Forward Voltage Drop			0.8	V	I _F =5A, T _J =25°C
				0.75		I _F =5A, T _J =125°C
I _R	Leakage Current			0.1	mA	V _R =100V, T _J =25°C
				5		V _R =100V, T _J =125°C

Mechanical Data:

TO220



TO220F:

