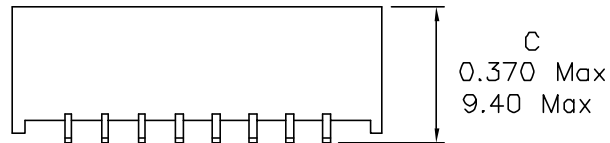
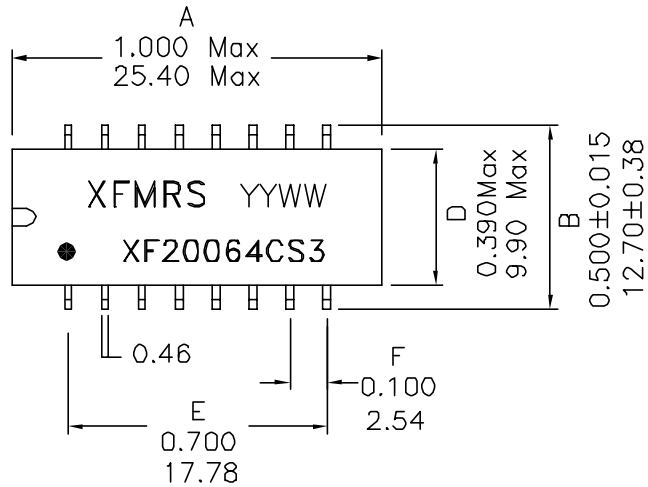
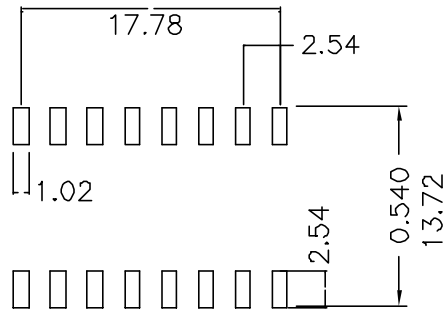


1. Dimensions:



CO-PLANARITY ± 0.004 Max
0.10 Max



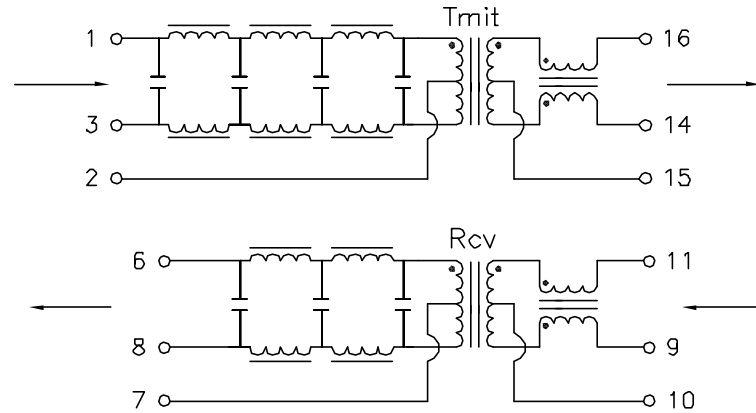
SUGGESTED FOOTPRINT

Notes:

- Solderability: Leads shall meet MIL-STD-202, Method 208D for solderability.
- Flammability: UL94V-0
- ASTM oxygen index: > 28%
- Insulation System: Class F 155°C. UL file E151556
- Operating Temperature Range: All listed parameters are to be within tolerance from -40°C to +85°C
- Storage Temperature Range: -55°C to +125°C
- Aqueous wash compatible
- SMD Lead Coplanarity: ±0.004"(0.102mm)
- Moisture Sensitivity: Level 2

DOC. REV. B/1

2. Schematic:



3. Electrical Specifications: @25°C

Isolation Voltage: 1500VAC

Insertion Loss: -1.0dB Maximum @1MHz-10MHz

Return Loss: -15dB Minimum @1MHz-10MHz

Crosstalk: -30dB Minimum @1MHz-10MHz

Attenuation @30MHz

Transmit -28dB Minimum

Receive -18dB Minimum

Cut-off Frequency: 17MHz Typical

I/O Impedance: 100 Ohms

XFMRS Inc	Title: 10BASE -T FILTER		
	UNLESS OTHERWISE SPECIFIED	P/N: XF20064CS3	REV. B
	TOLERANCES:	DWN.	廖玉坤 Jul-27-04
	.xxx ±0.010 Inch	CHK.	李清儿 Jul-27-04
	Dimensions in Inch/mm	APP.	BW Jul-27-04
SHEET 1 OF 1			