

PLEASE CHECK WWW.MOLEX.COM FOR LATEST PART INFORMATION

Part Number: [0850010191](#)
Status: **Active**
Overview: IEC 603-2 / DIN 41612
Description: 2.54mm (.100") Pitch DIN 41612 Header, Style B, Right Angle, Through Hole, 0.6µm (24µ") Selective Gold (Au), Fixing Clip available, 64 Circuits

Documents:

[3D Model](#) [Product Specification PS-85003-0001 \(PDF\)](#)
[Drawing \(PDF\)](#) [RoHS Certificate of Compliance \(PDF\)](#)

Agency Certification

CSA LR19980
 UL E29179

General

Product Family Backplane Connectors
 Series [85001](#)
 Application Daughtercard
 Component Type PCB Header
 Overview [IEC 603-2 / DIN 41612](#)
 Product Name IEC 603-2/DIN 41612
 Style B

Physical

Circuits (Loaded) 64
 Circuits (maximum) 64
 Durability (mating cycles max) 400
 First Mate / Last Break No
 Flammability 94V-0
 Guide to Mating Part No
 Keying to Mating Part Yes
 Number of Columns 16
 Number of Pairs Open Pin Field
 Number of Rows 2
 Orientation Right Angle
 PC Tail Length (in) 0.118 In
 PC Tail Length (mm) 3.00 mm
 PCB Locator No
 PCB Retention Yes
 PCB Thickness Recommended (in) 0.062 In
 PCB Thickness Recommended (mm) 1.60 mm
 Packaging Type Tray
 Pitch - Mating Interface (in) 0.100 In
 Pitch - Mating Interface (mm) 2.54 mm
 Pitch - Term. Interface (in) 0.100 In
 Pitch - Term. Interface (mm) 2.54 mm
 Temperature Range - Operating -55°C to +125°C
 Termination Interface: Style Through Hole

Electrical

Current - Maximum per Contact 1.5A
 Data Rate 622.0 Mbps
 Voltage - Maximum 250V AC (RMS)

Material Info

Reference - Drawing Numbers

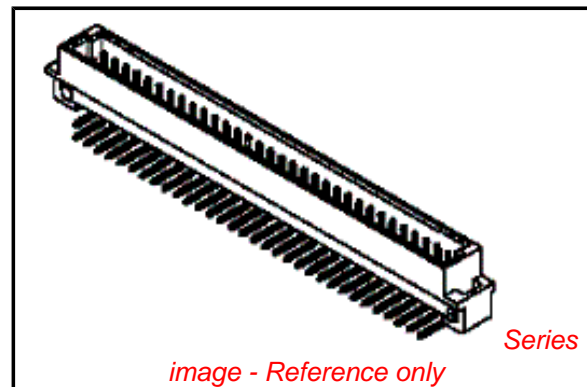


image - Reference only

EU RoHS

ELV and RoHS Compliant
REACH SVHC
 Not Reviewed
Halogen-Free Status
 Not Reviewed

China RoHS



Need more information on product environmental compliance?

Email productcompliance@molex.com
 For a multiple part number RoHS Certificate of Compliance, [click here](#)

Please visit the [Contact Us](#) section for any non-product compliance questions.

Search Parts in this Series

[85001Series](#)

Mates With

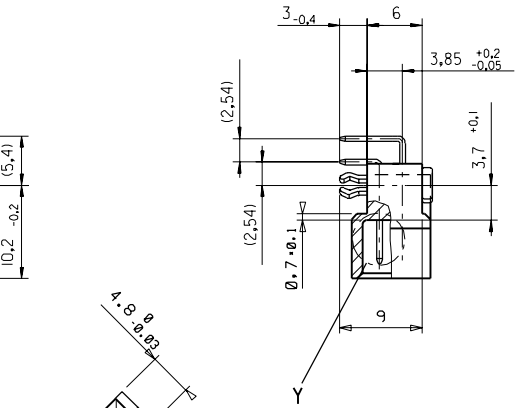
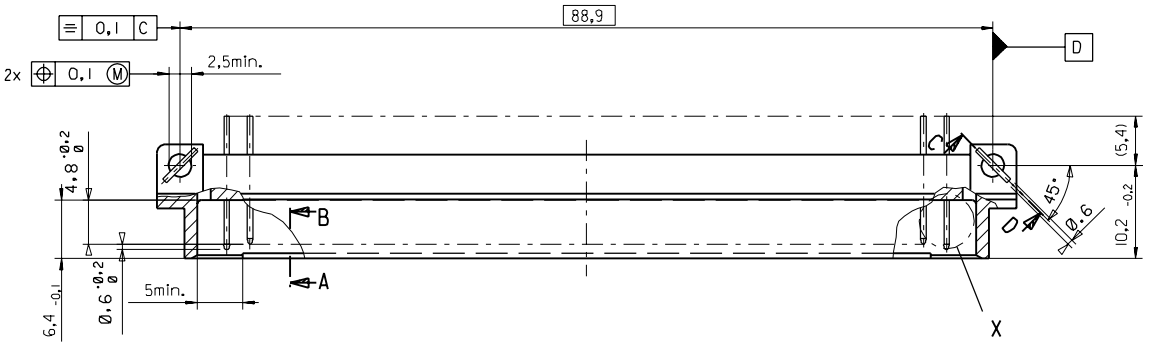
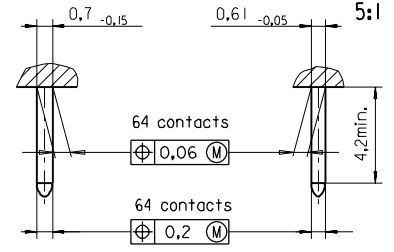
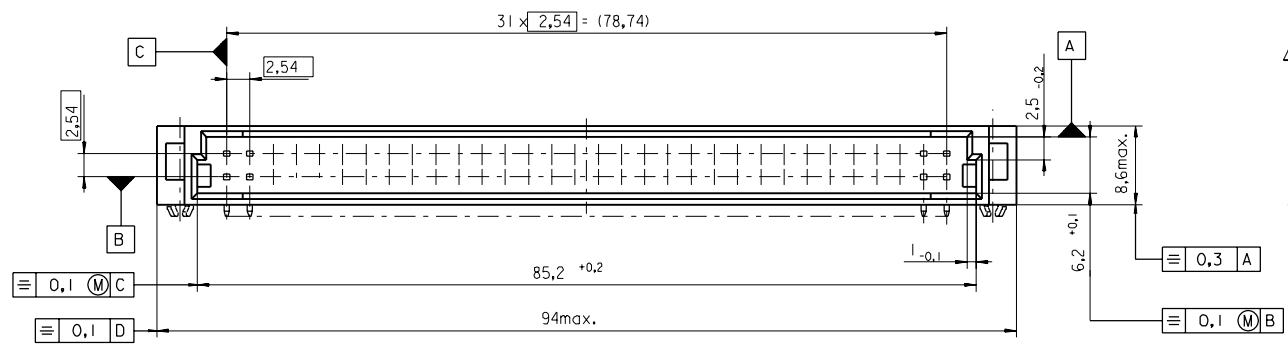
DIN 41612 Receptacle [85040](#) , [85050](#)

This document was generated on 03/09/2010

PLEASE CHECK WWW.MOLEX.COM FOR LATEST PART INFORMATION

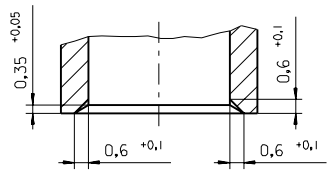
PART NO.
DWG. NO.

View X
5:1
View Y
5:1



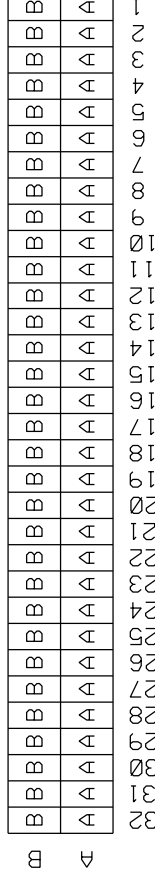
Section C - D

Section A - B
5:1



FIRST ANGLE PROJECTION		REVISE ONLY ON CAD SYSTEM		SH.	REV.
first release see ECN No. 1887	L TR REVISIONS FOR PREVIOUS REVISIONS SEE MRI LIST	UNLESS OTHERWISE SPECIFIED TOLERANCES: ANGULAR ±2°	DRWG BY SIGN Ca	CAD/CAM PROJECT NAME 85001000 811	
		INCH METRIC	CHK'D BY SIGN KN	THIS DRAWING CONTAINS INFORMATION THAT IS PROPRIETARY TO MOLEX INC. & SHOULD NOT BE USED WITHOUT WRITTEN PERMISSION	
		3 PLACE ± . ±	APP'D BY SIGN	TITLE 64 pos. Male connector acc. DIN 41612 style B Dimensions	
		2 PLACE ± . ±	SCALE 2:1	SHEET NO. DATE 1 OF 95/06/06	
1 PLACE ± . ±	DESIGN DIMENSION <input checked="" type="checkbox"/> MM	MOLEX MOLEX EUROPE		SHEET NO. DATE	
DRAFT WHERE APPLICABLE MUST REMAIN WITHIN DIMENSIONS	EQUIVALENT DIMENSION <input type="checkbox"/> MM	PART NO.		DWG NO.	
IF TWO DIMENSIONS ARE SHOWN THE UPPER IS THE DESIGN DIMENSION, LOWER IS SECONDARY		SDA-85001-0001		SIZE B	

VIEW ON MATING SIDE



A = 32 STANDARD CONTACTS L=3

B = 32 STANDARD CONTACTS L=3

S = 64 TOTAL NUMBER OF CONTACTS

Marking	Standard
Performance level	G2/0 = Contact area level2 / Termination tin
Flux proof	no
Fixing clip	yes
Dimensions	SDA-85001-0001 sht.1
Technical Data	PS-85003-0001

B	G2/0		DRWG BY	Ca	SIGN
A	G2/0		CHK'D BY	KN	SIGN
Contact symbol	Perform. level		APP'D BY		SIGN
Contact position number					

C	see ECN No. 2204	96/07/18 Cd	REVISIONS
			FOR PREVIOUS REVISIONS SEE MRI LIST
LTR			

REVISE ONLY ON CAD SYSTEM		SH. REV.
CAD/CAM PROJECT NAME	THIS DRAWING CONTAINS INFORMATION THAT IS PROPRIETARY TO MOLEX INC. & SHOULD NOT BE USED WITHOUT WRITTEN PERMISSION	
sb500101	s91	
TITLE		
64 pos. Male connector acc. DIN 41612 style B contacts arrangement		
SHEET NO.		DATE
MOLEX EUROPE		1 OF 1 95/05/23
PART NO.		SIZE
85001-0191		SDA-85001-0191
DWG NO.		A

DRAFT WHERE APPLICABLE MUST REMAIN WITHIN DIMENSIONS

DESIGN DIMENSION MM IN.

EQUIVALENT DIMENSION MM IN.

IF TWO DIMENSIONS ARE SHOWN, THE UPPER IS THE DESIGN DIMENSION, LOWER IS SECONDARY