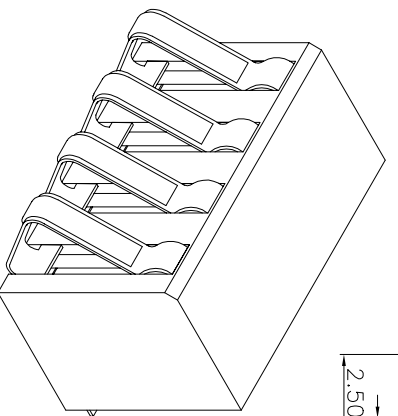
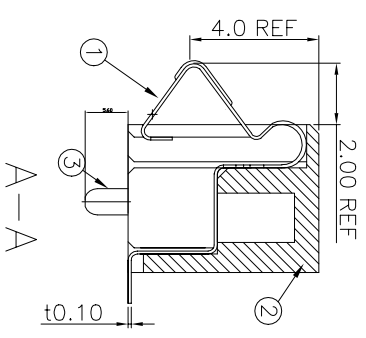
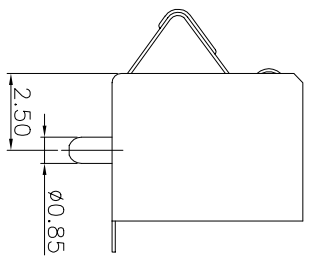
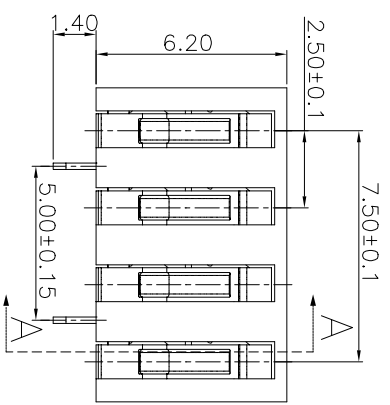
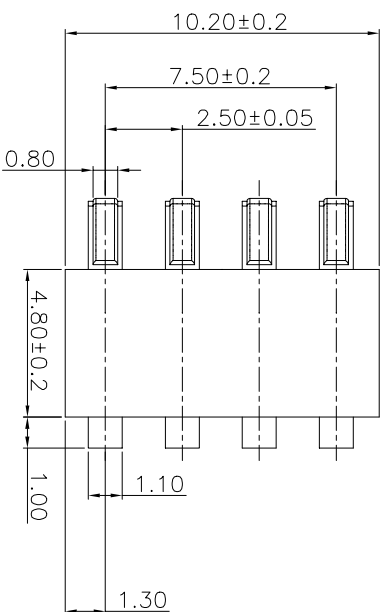
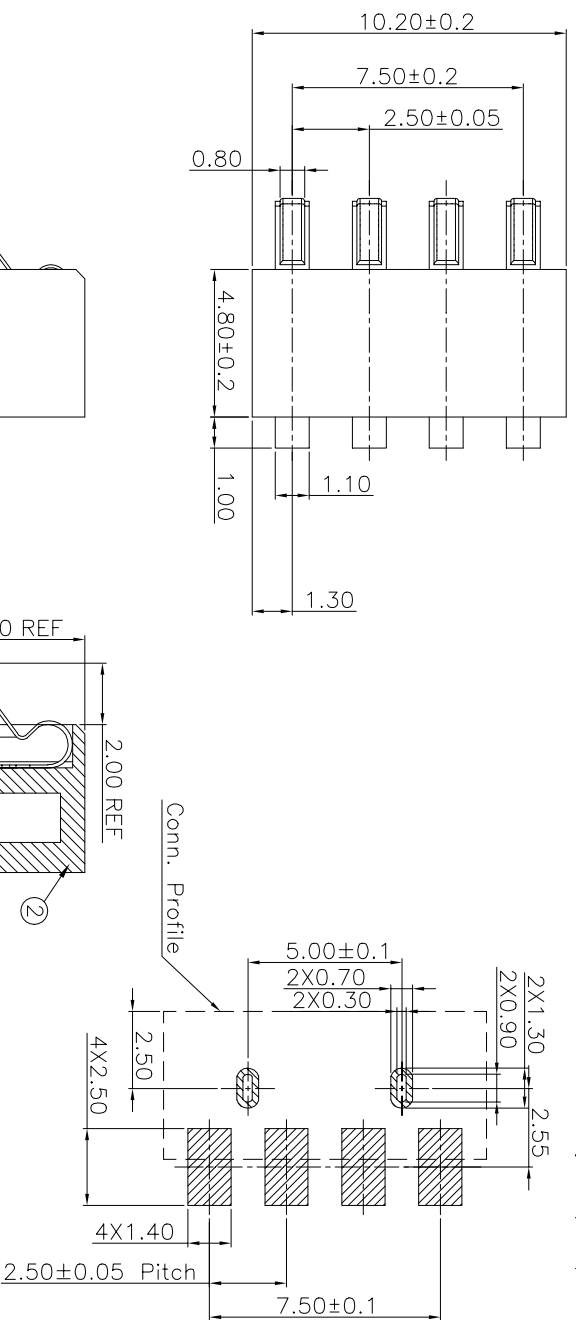


Recommended P.C.B Layout (Component Side)



NOTE:
250037MB004□□00ZL
1. Selective plating
G1-05u" Gold over Nickel.
G2-Indicate Gold flash.
G3-10u" Gold over Nickel.
G4-15u" Gold over Nickel.
G5-30u" Gold over Nickel.
G6-50u" Gold over Nickel.

3	Fork	Brass		Tin Plated
2	Housing	LCP	BLACK	UL94V-0,Black
1	Contact	Phosphor Bronze		Gold Plated
NO.	DESCRIPTION	MATERIAL	COLOR	REMARK

SUYN
CONNECTOR

CUSTOMER COPY TITLE: 4 PIN Battery Connector

PART NO. 250037MB004G100ZL

PART NO. (OLD)

DRAWING NO. D 250037MB004G100ZL

SCALE 4:1 UNIT mm A4

ECN (DCN) NO.	REV	DATE	DESCRIPTION	CHANGE APPRO.	GENERAL TOLERANCE UNLESS OTHERWISE NOTED	APPRO.
	0		NEW		Angle 30 ~ 30 ±0.50 10 ~ 30 ±0.30 ~ 10 ±0.15	DRAW DESIGN CHECK APPRO.