



### FEATURES

- Self-powered, two-terminal operation
- 350 to 600Vac operating input range
- Half-wave averaging, rms calibrated
- Large, easy-to-read, bright red LED display
- Rugged, epoxy-encapsulated construction
- Built-in bezel for panel mounting
- Reliable screw terminals for easy installation
- Small 1.38" x 0.88" x 1.0" package

### Functional Specifications

#### Input

Voltage Range ①	350-600Vrms (47-63Hz)
Current Consumption	50mArms (max.)

#### Performance

Sampling Rate	2.5 readings/second
Measurement Type	Half-wave average, rms calibrated for sinusoidal input
Accuracy @ +25°C	±1V (typ.), ±2V (max.)
Temperature Drift (-25 to +60°C)	±0.15 Volts/°C (max.)

#### Mechanical

Dimensions	1.38" x 0.88" x 1.00"
Display Type	3 digit, red LED, 0.37"/9.4mm
Weight	1 ounce (28 grams)
Case Material	Polycarbonate

#### Environmental

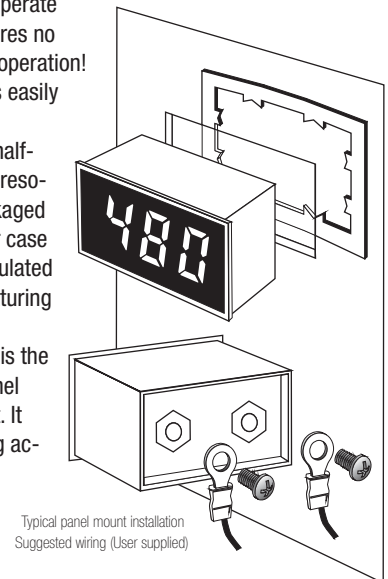
Operating Temperature	-25 to +60°C
Storage Temperature	-40 to +75°C
Humidity (Non-condensing)	0 to 95%

① Operation and accuracy at inputs above or below this range are not specified.

DATEL's DMS-20PC-3-LM is a low-cost, self-powered, 2-wire digital voltmeter designed for monitoring 480Vac 3-phase primary power. The DMS-20PC-3-LM's unique power-supply design allows a single model to operate from 350 to 600Vac (47-63Hz). The meter requires no external components or auxiliary power for full operation! Its large, 0.37"/9.4mm, bright red LED display is easily readable under virtually all lighting conditions.

DMS-20PC-3-LM employs rms calibrated, half-wave sinusoidal averaging to achieve a display resolution of 1Vac over its full operating range. Packaged in a subminiature (1.38" x 0.88" x 1.0") red-filter case with a built-in bezel, the meter is epoxy encapsulated for ruggedness. An optional bezel assembly, featuring metal fasteners, simplifies panel mounting.

This easy-to-use, vibration-proof voltmeter is the ideal digital upgrade for fragile analog-style panel meters in 480Vac power distribution equipment. It similarly excels in any new application requiring accurate, high-voltage, ac line monitoring.



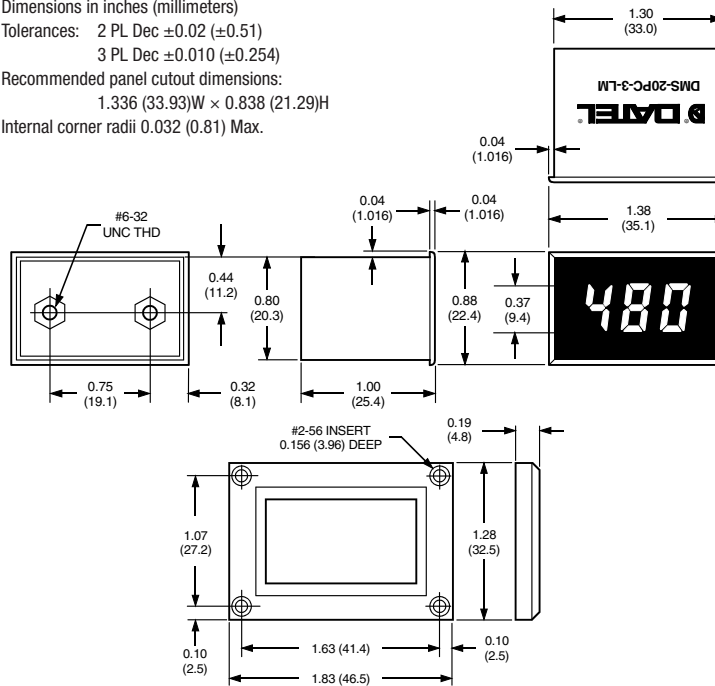
### Ordering Information

<b>DMS-20PC-3-LM-C</b>	350-600Vac line monitor with screw terminals and screws
<b>DMS-BZL3-C</b>	Panel mount bezel
<b>DMS-BZL4-C</b>	Panel mount bezel with sealing gasket
<b>DMS-20-CP</b>	Panel cutout punch

Brass screws (6-32 thread) and a panel-mount retaining clip are supplied with each meter



Dimensions in inches (millimeters)  
 Tolerances: 2 PL Dec  $\pm 0.02$  ( $\pm 0.51$ )  
 3 PL Dec  $\pm 0.010$  ( $\pm 0.254$ )  
 Recommended panel cutout dimensions:  
 1.336 (33.93)W  $\times$  0.838 (21.29)H  
 Internal corner radii 0.032 (0.81) Max.



Murata Power Solutions, Inc.  
 11 Cabot Boulevard, Mansfield, MA 02048-1151 U.S.A.  
 Tel: (508) 339-3000 (800) 233-2765 Fax: (508) 339-6356  
 www.murata-ps.com email: sales@murata-ps.com ISO 9001 and 14001 REGISTERED

11/24/08  
 Murata Power Solutions, Inc. makes no representation that the use of its products in the circuits described herein, or the use of other technical information contained herein, will not infringe upon existing or future patent rights. The descriptions contained herein do not imply the granting of licenses to make, use, or sell equipment constructed in accordance therewith. Specifications are subject to change without notice.  
 © 2008 Murata Power Solutions, Inc.

- USA:** Mansfield (MA), Tel: (508) 339-3000, email: sales@murata-ps.com
- Canada:** Toronto, Tel: (866) 740-1232, email: toronto@murata-ps.com
- UK:** Milton Keynes, Tel: +44 (0)1908 615232, email: mk@murata-ps.com
- France:** Montigny Le Bretonneux, Tel: +33 (0)1 34 60 01 01, email: france@murata-ps.com
- Germany:** München, Tel: +49 (0)89-544334-0, email: munich@murata-ps.com
- Japan:** Tokyo, Tel: 3-3779-1031, email: sales\_tokyo@murata-ps.com  
 Osaka, Tel: 6-6354-2025, email: sales\_osaka@murata-ps.com
- China:** Shanghai, Tel: +86 215 027 3678, email: shanghai@murata-ps.com  
 Guangzhou, Tel: +86 208 221 8066, email: guangzhou@murata-ps.com
- Singapore:** Parkway Centre, Tel: +65 6348 9096, email: singapore@murata-ps.com