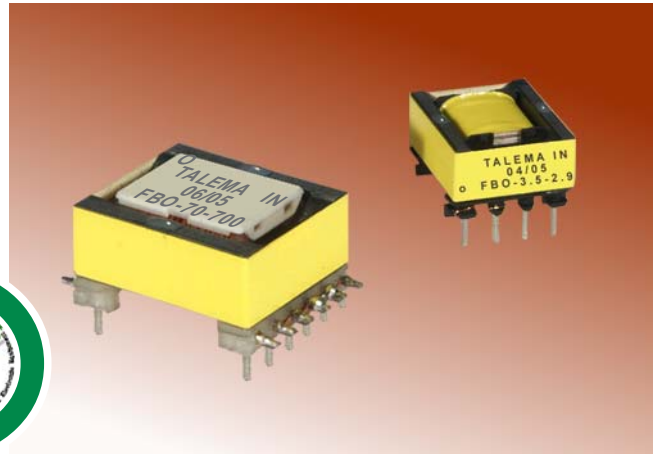




FBO Series Flyback Transformers

Features

- designed for use with ON Semiconductor NCP1200 PWM Current-Mode Controller.
- all materials approved to UL-94V-0
- input voltage - 85 - 265Vac
- manufactured in an ISO-9001:2000, TS-16949:2002 and ISO-14001:2004 certified Talema facility
- fully RoHS compliant and meets lead free reflow level J-STD-020C



Electrical Specifications @ 25°C • Operating Temperature -40° to +85°C

Part Number	Application	Turns Ratio		L_0 (μ H) $\pm 10\%$ No Load	DCR (Ohms Max.)		L_L (μ H Max.)	Isolation Voltage (Vrms)	Output
		Pri : Sec	Pri : aux		Primary	Secondary			
FBO-3.5-2900	3.5W	1 : 0.08	--	2900	4.25	0.07	80	1500	6.5V, 0.54A
FBO-10-1800	10W	1 : 0.1	--	1800	1.77	0.038	60	2000	12V, 0.83A
FBO-70-700	70W	1 : 0.16	--	700	0.261	0.013	16	1500	16V, 4.2A

Test conditions:

Inductance: measured at 10kHz, 0.1Vrms, 0 Adc

Leakage Inductance: measured at 100kHz, 0.1Vrms

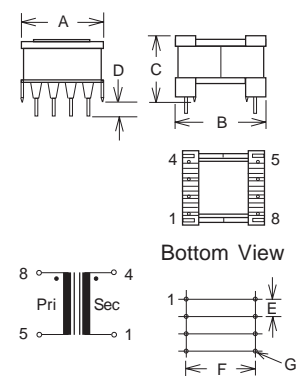
Isolation Voltage: tested between primary and secondary windings

Primary to Secondary Turns Ratio: specified with secondary winding connected in parallel

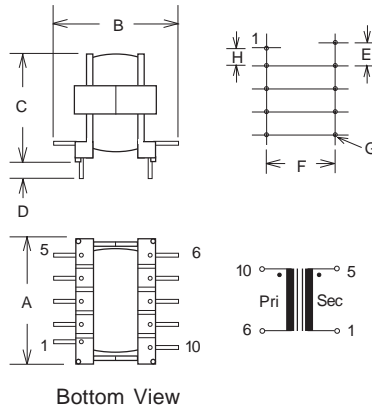
Schematic

Mechanical Dimensions

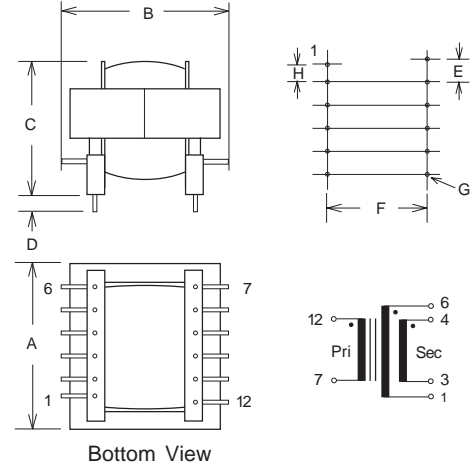
FBO-3.5-2900



FBO-10-1800



FBO-70-700



Dimensions - Inches (Millimeters)

Part Number	A max	B max	C max	D min	E	F	G \varnothing	H
FBO-3.5-2900	0.72 (18,3)	0.79 (20,1)	0.55 (14,0)	0.118 (3,0)	0.150 (3,81)	0.600 (15,24)	0.030 (0,76)	
FBO-10-1800	1.10 (27,9)	1.10 (27,9)	0.95 (24,1)	0.12 (3,05)	0.200 (5,08)	0.620 (15,75)	0.044 (1,12)	0.150 (3,81)
FBO-70-700	1.45 (36,8)	1.45 (36,8)	1.17 (29,7)	0.12 (3,05)	0.200 (5,08)	0.875 (22,2)	0.044 (1,12)	0.150 (3,81)

Note:

For FBO-70-700, pin 6 to be connected to pin 4 and pin 1 to pin 3 on the circuit board.