

DESCRIPTION:

The 323 series is general purpose LED lamps with 4.7mm diameter and low profile package.

The semi-conductor materials used are:

GaP for (323HD, 323GD/GT)

GaAsP/GaP for (323RHD/RHT, 323YD/YT and 323SD)

ABSOLUTE MAXIMUM RATINGS: (Ta=25°C)

Reverse Voltage	5 Volt
Reverse Current (Vr =5V)	100µA
Operating Temperature Range	-40°C To 85°C
Storage Temperature Range	-40°C To 100°C
Lead Soldering Temperature (1.6mm (1/16)From Body)	260°C For 5 Seconds

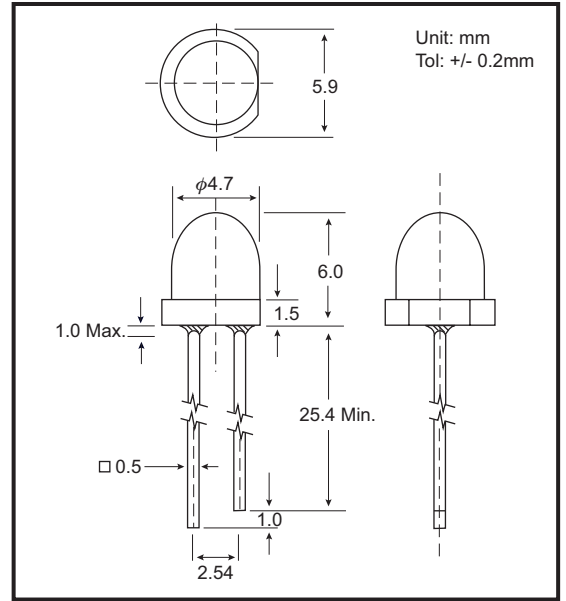
NOTES : 1. All dimensions are in millimeters.

2. Lead spacing is measured where the leads emerge from the package.

3. Protuded resin under flange is 1.5 mm (0.059") Max.

4. Specifications are subject to change without notice.

PACKAGE DIMENSIONS



PART NO. SELECTION AND APPLICATION INFORMATION (RATINGS AT 25°C AMBIENT)

Part No.	Emitted Color	Lens Color	Peak Wavelength λ_p (nm)	Vf (v)		Rec. If (mA)	Iv (mcd)		View Angle $2\theta_{1/2}$ (Deg)
				Min	Max		Min	Typ.	
GB-323HD	Red	Red Diffused	697	1.7	2.6	5-10	0.2	0.5	70
GB-323RHD	Bright Red	Red Diffused	660	1.7	2.6	10-20	1.7	5.6	70
GB-323GD	Green	Green Diffused	565	1.7	2.6	10-20	1.7	5.6	70
GB-323YD	Yellow	Yellow Diffused	585	1.7	2.6	10-20	1.0	4.0	70
GB-323SD	Orange	Orange Diffused	610	1.7	2.6	10-20	1.0	4.0	70
GB-323RHT	Bright Red	Red Trans.	660	1.7	2.6	10-20	8.7	29.0	40
GB-323GT	Green	Green Trans.	565	1.7	2.6	10-20	12.6	40.0	40
GB-323YT	Yellow	Yellow Trans.	585	1.7	2.6	10-20	3.7	12.6	40

TESTING CONDITION FOR EACH PARAMETER :

PARAMETER:	SYMBOL	UNIT	TEST CONDITION
REVERSE VOLTAGE	Vr	VOLT	Vr = 5.0 Volt If = 20mA If = 20mA
REVERSE CURRENT	Ir	µA	
FORWARD VOLTAGE	Vf	VOLT	
LUMINOUS INTENSITY	Iv	MCD	If = 20mA
VIEWING ANGLE	$2\theta_{1/2}$	DEGREE	
RECOMMENDED OPERATING CURRENT	If (Rec)	mA	

