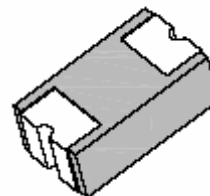


1.0A Sintered Glass Passivated Standard Rectifier

Features

- Leadless chip form, no lead damage
- Lead-free solder joint, no wire bond & lead frame
- Low profile package
- For surface mounted applications
- Built-in strain relief
- Low power loss, High efficiency
- High current capability
- High surge capacity
- Plastic package has UL Flammability Classification 94V-0
- RoHS Compliance



C1206



Mechanical Data

Case:	Packed with FRP substrate and epoxy underfilled
Terminals:	Pure Tin plated (Lead-Free), solderable per MIL-STD-750, Method 2026
Polarity:	Laser marking
Mounting Position:	Any
Weight:	0.012 gram

Maximum Ratings and Electrical Characteristics ($T_A=25^{\circ}\text{C}$ unless otherwise noted)

Symbol	Description	TCDT 1DW	TCDT 1GW	TCDT 1JW	TCDT 1KW	TCDT 1MW	Unit	Conditions
V_{RRM}	Max. Repetitive Peak Reverse Voltage	200	400	600	800	1000	V	
V_{RMS}	Max. RMS Voltage	140	280	420	560	700	V	
V_{DC}	Max. DC Blocking Voltage	200	400	600	800	1000	V	
I_{F(AV)}	Average Forward Rectified Current	1.0					A	See Fig.1
I_{FSM}	Peak Forward Surge Current	30					A	8.3ms single half sine-wave superimposed on rated load (JEDEC Method)
V_F	Max. Instantaneous Forward Voltage	1.0					V	I _F =1.0A

1.0A Sintered Glass Passivated Standard Rectifier

TCDT1DW - TCDT1MW

Symbol	Description	TCDT 1DW	TCDT 1GW	TCDT 1JW	TCDT 1KW	TCDT 1MW	Unit	Conditions
IR	Max. DC Reverse Current at Rated DC Blocking Voltage	1					μA	TA=25°C
		30						TA=125°C
		50						TA=150°C
T _{rr}	Max. Reverse Recovery Time	3000					nS	IF=0.5A IR=1.0A Irr=0.25A
C _J	Typical Junction Capacitance	12					pF	VR=4V, f=1MHz
T _J ,T _{STG}	Operating Junction and Storage Temperature Range	-65 to +175					°C	

Typical Characteristics Curves

Fig.1- Forward Current Derating Curve

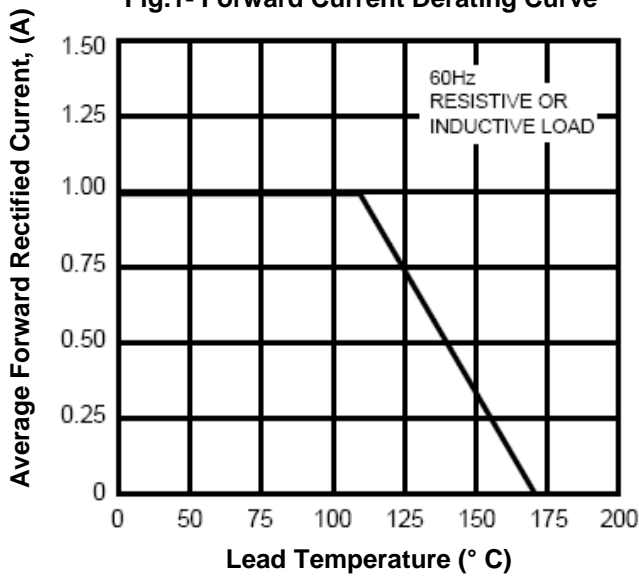
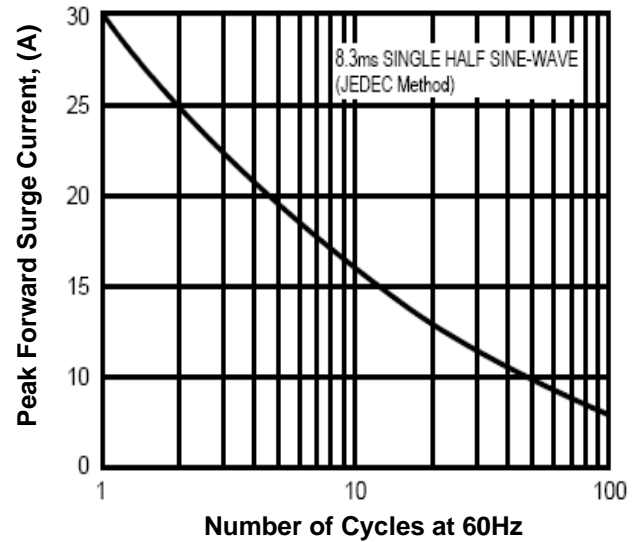


Fig.2- Maximum Non-Repetitive Peak Forward Surge Current



1.0A Sintered Glass Passivated Standard Rectifier

TCDT1DW - TCDT1MW

Fig.3- Typical Instantaneous Forward Characteristics

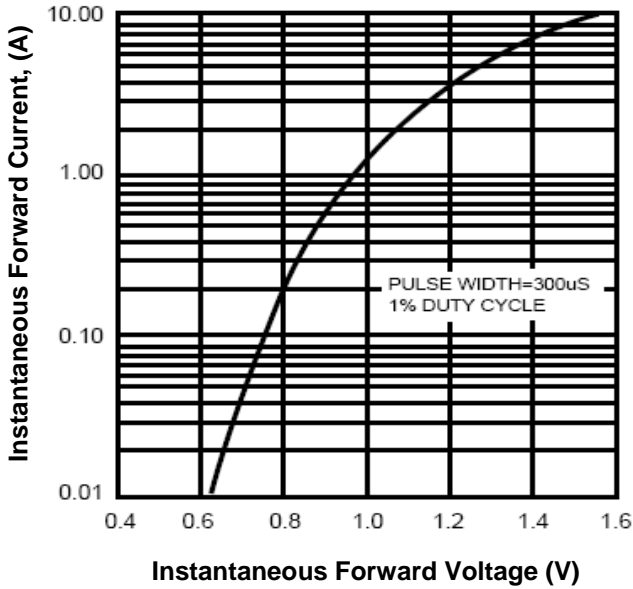


Fig.4-Typical Reverse Characteristics

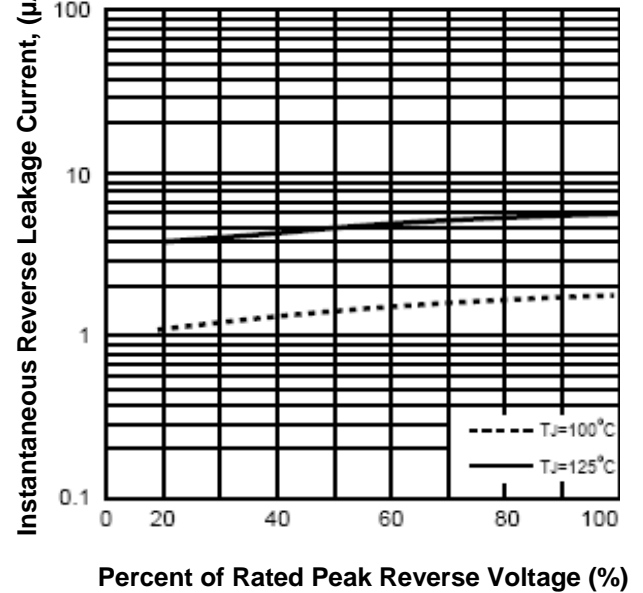
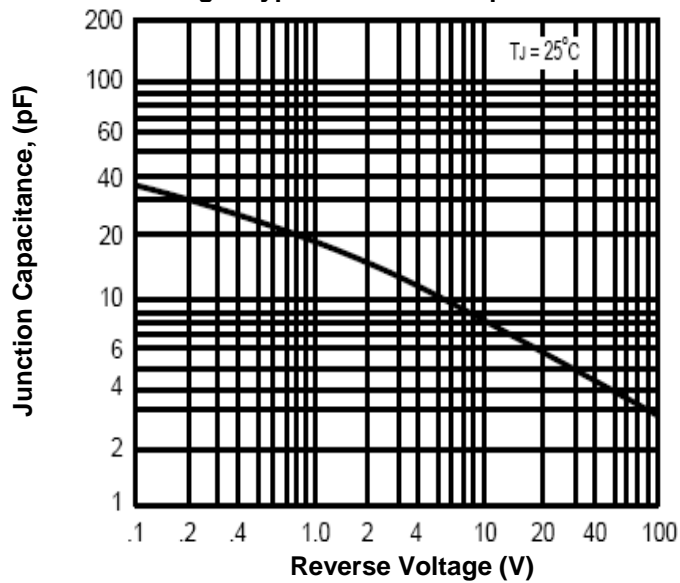


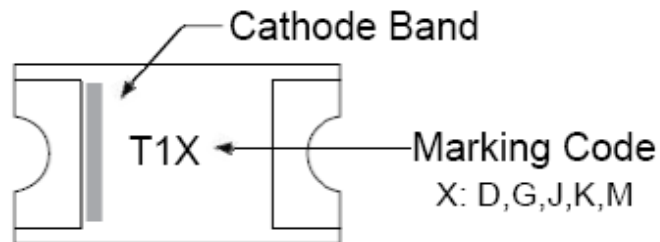
Fig.5-Typical Junction Capacitance



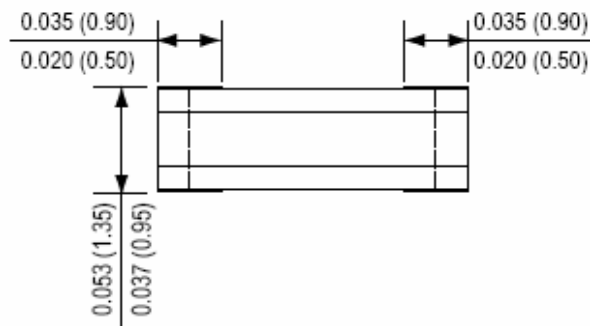
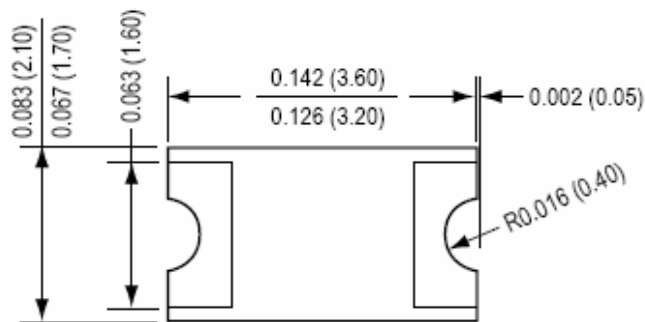
1.0A Sintered Glass Passivated Standard Rectifier

TCDT1DW - TCDT1MW

Marking Information:



Dimensions in inches (mm)

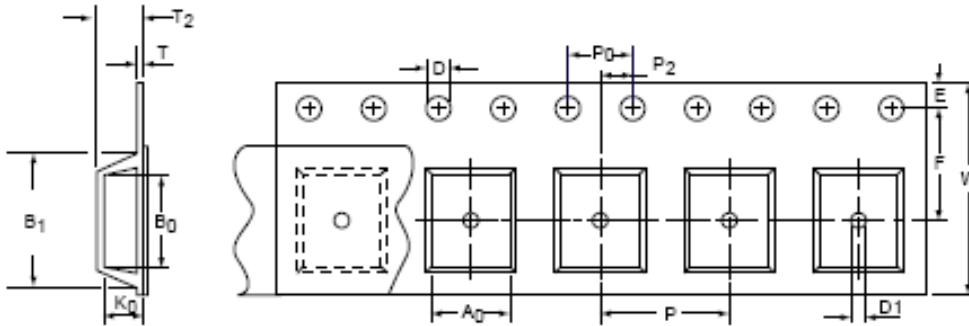


C1206

1.0A Sintered Glass Passivated Standard Rectifier

TCDT1DW - TCDT1MW

Packing Information in mm



Product Type	D	P ₀	P	W	E	A ₀	B ₀
	1.50±0.1	4.00±0.1	4.00±0.1	12.00±0.3	1.75±0.1	2.20±0.1	3.65±0.1
C1206	B ₁	T	T ₂	D ₁	F	K ₀	P ₂
	8.20max.	0.40max.	1.75±0.1	1.50min.	5.50±0.05	1.28±0.1	2.0±0.1

Packing Quantity Information:

Quantity	PCS per Reel	PCS per Carton
-TR70 Tape & Reel	3000	90000

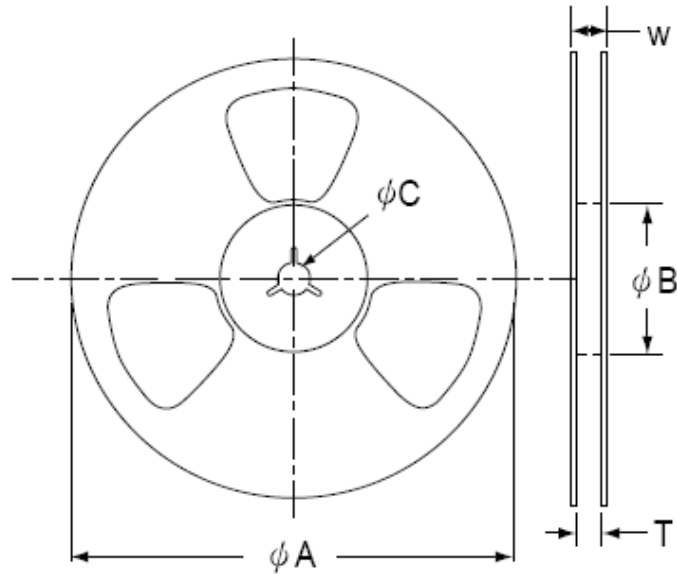
Carton Size Information:

-TR70 Tape & Reel
400X207X240 (in mm)

1.0A Sintered Glass Passivated Standard Rectifier

TCDT1DW - TCDT1MW

Reel Dimensions in mm



ΦA	ΦB	ΦC	W	T
178 ± 2.0	50min.	13.0 ± 0.5	18.7max.	14.4max.

1.0A Sintered Glass Passivated Standard Rectifier

TCDT1DW - TCDT1MW

How to contact us:

US HEADQUARTERS

28040 WEST HARRISON PARKWAY, VALENCIA, CA 91355-4162

Tel: (800) TAITRON (800) 824-8766 (661) 257-6060

Fax: (800) TAITFAX (800) 824-8329 (661) 257-6415

Email: taitron@taitroncomponents.com

Http://www.taitroncomponents.com

TAITRON COMPONENTS MEXICO, S.A .DE C.V.

BOULEVARD CENTRAL 5000 INTERIOR 5 PARQUE INDUSTRIAL ATITALAQUIA, HIDALGO C.P.
42970 MEXICO

Tel: +52-55-5560-1519

Fax: +52-55-5560-2190

TAITRON COMPONENTS INCORPORATED REPRESENTAÇÕES DO BRASIL LTDA

RUA DOMINGOS DE MORAIS, 2777, 2.ANDAR, SALA 24 SAÚDE - SÃO PAULO-SP 04035-001 BRAZIL

Tel: +55-11-5574-7949

Fax: +55-11-5572-0052

TAITRON COMPONENTS INCORPORATED, SHANGHAI REPRESENTATIVE OFFICE

METROBANK PLAZA, 1160 WEST YAN' AN ROAD, SUITE 1503, SHANGHAI, 200052, CHINA

Tel: +86-21-5424-9942

Fax: +86-21-5424-9931