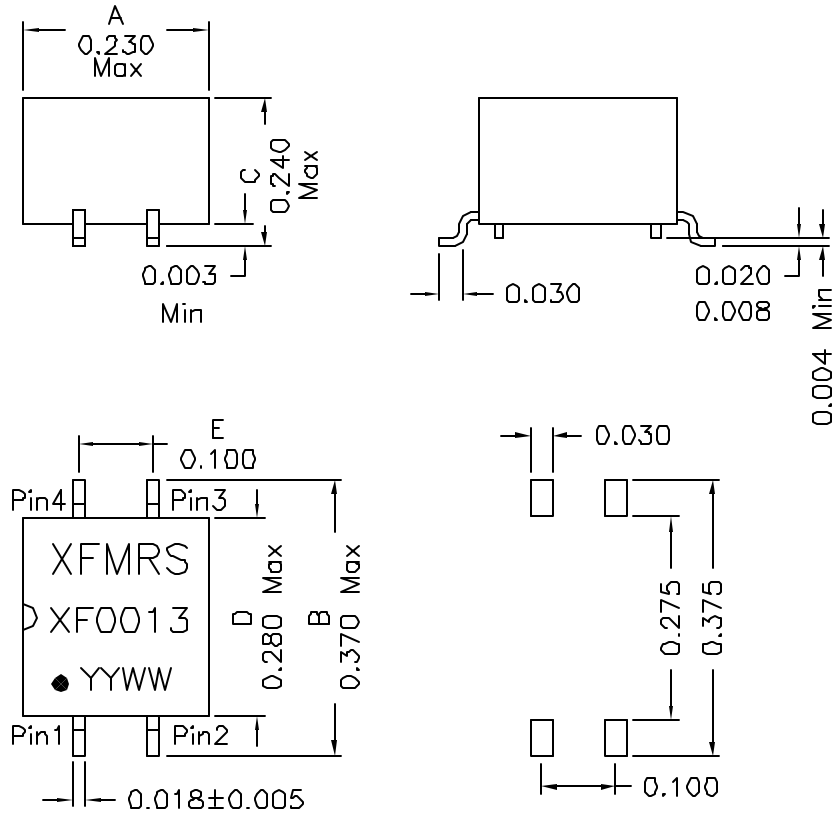


1. Mechanical Dimensions:

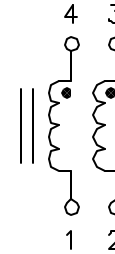


Notes:

1. Solderability: Leads shall meet MIL-STD-202G, Method 208H for solderability.
2. Flammability: UL94V-0
3. ASTM oxygen index: > 28%
4. Insulation System: Class F 155°C, UL file E151556
5. Operating Temperature Range: All listed parameters are to be within tolerance from -40°C to +85°C
6. Storage Temperature Range: -55°C to +125°C
7. Aqueous wash compatible
8. SMD Lead Coplanarity: $\pm 0.004^*$ (0.102mm)
9. Electrical and mechanical specifications 100% tested
10. RoHS Compliant Component

DOC. REV: A/5

2. Schematic:



3. Electrical Specifications

Rated Voltage: 80Vdc

Rated Current: 0.5Aac

DCR: 0.20 Ohms Typ, 0.25 Ohms Max each wdg.

OCL: 1.0mH-30/+50% @100KHz, 0.1V Each Wdg

LL: Pin 4-1 0.25uH Typ @100KHz, 0.1V Tie 3-2

Isolation: 750Vdc

XFMRS Inc www.XFMRS.com		Title: Common Mode Choke	
UNLESS OTHERWISE SPECIFIED TOLERANCES: .xxx ±0.010 Dimensions in Inch		P/N: XFO013-00SM REV A	
		DWN.	Xianyi Apr-15-09
Scale 2.5:1 SHT 1 OF 1		CHK.	YK Liao Apr-15-09
		APP.	Joe Huff Apr-15-09