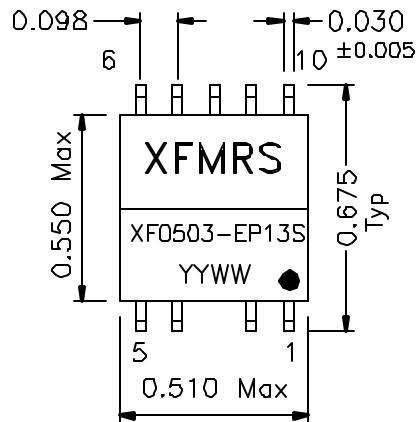
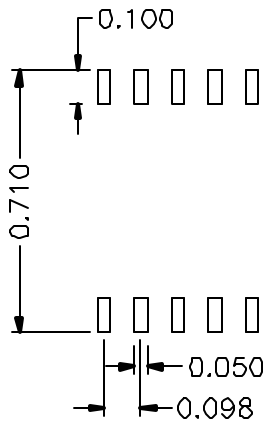


1. Mechanical Dimensions:



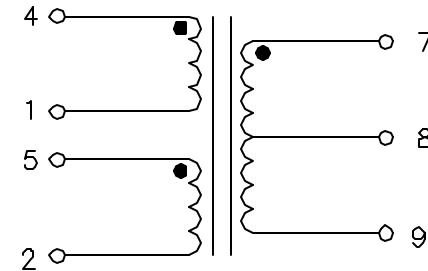
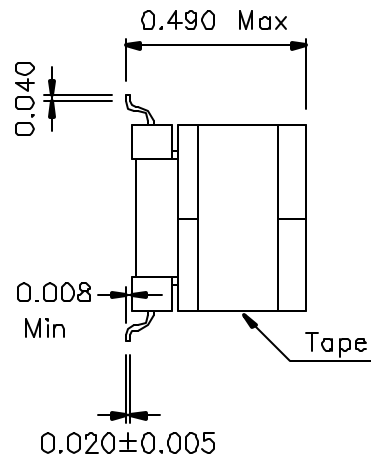
CO-PLANARITY: 0.004 Max



Suggested PCB Layout

Note: Designed to meet the requirements of UL1459.

2. Schematic:



3. Electrical Specifications:

- OCL: (Pins 7-9) 50mH Min 1.0KHz, .25V OmAdc
- Cw/w: (Pins 9-1or2) 24pF Max 1.0KHz, .25V
- Turns Ratio: (7-9):(4-2) 1CT:1CS ±1% Tie 1-5
- DC Res: (Pins 7-9) 4.50 Ohms ±15%
- DC Res.: (Pins 4-1) 2.80 Ohms ±15%
- DC Res.: (Pins 5-2) 2.80 Ohms ±15%
- HYPOT: (Pins 9-1&2) 1000VAC
- HYPOT: 1000VAC Wdgs-Core
- Operating Temp.: -40 to +85°C

DOC. REV: A/1

XFMRS Inc	Title: TRANSFORMER		
	UNLESS OTHERWISE SPECIFIED	P/N: XF0503-EP13S	REV. A
TOLERANCES:	DWN.	李清儿	Aug-24-00
.xxx ±0.010	CHK.	孙悦	Aug-24-00
Dimensions in INCH	APP.	Joe Huff	Aug-24-00
SHEET 1 OF 1			