

PLEASE CHECK WWW.MOLEX.COM FOR LATEST PART INFORMATION

Part Number: [0399100304](#)
Status: **Active**
Description: 10.16mm (.400") Beau™ Eurostyle™, Fixed Mount PCB Terminal Block, High Voltage, High Power 40A, 4 Circuits

Documents:

[3D Model](#) [RoHS Certificate of Compliance \(PDF\)](#)
[Drawing \(PDF\)](#)

Agency Certification

UL E48521

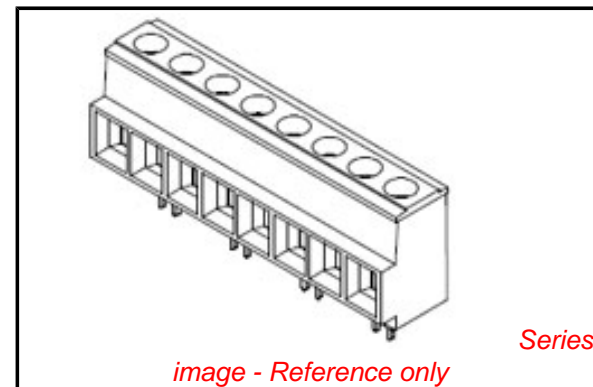
General

Product Family	Terminal Blocks
Series	39910
Application	Wire-to-Board
Component Type	One Piece
Product Literature Order No	USA-199
Product Name	Eurostyle™ Fixed Mount
Type	Euro Block

Physical

Circuits (Loaded)	4
Circuits (maximum)	4
Color - Resin	Black
Entry Angle	Horizontal
Flammability	94V-0
Lock to Mating Part	None
Material - Metal	Copper
Material - Plating Mating	Tin
Material - Plating Termination	Tin
Material - Resin	Polyester
Number of Rows	1
Orientation	Vertical
PC Tail Length (in)	0.160 In
PC Tail Length (mm)	4.10 mm
PCB Retention	None
Panel Mount	No
Pitch - Mating Interface (in)	0.400 In
Pitch - Mating Interface (mm)	10.16 mm
Pitch - Term. Interface (in)	0.400 In
Pitch - Term. Interface (mm)	10.16 mm
Plating min: Mating (µin)	150
Plating min: Mating (µm)	3.75
Plating min: Termination (µin)	150
Plating min: Termination (µm)	3.75
Polarized to Mating Part	Yes
Shrouded	Fully
Stackable	No
Surface Mount Compatible (SMC)	No
Temperature Range - Operating	130°C
Termination Interface: Style	Through Hole
Wire Size AWG	10, 12, 14, 16, 18, 8
Wire Size mm²	0.75 - 6.0

Electrical



EU RoHS

**ELV and RoHS
Compliant**
REACH SVHC
 Not Reviewed
**Halogen-Free
Status**
 Not Reviewed

China RoHS



**Need more information on product
environmental compliance?**

Email productcompliance@molex.com
 For a multiple part number RoHS Certificate of
 Compliance, [click here](#)

Please visit the [Contact Us](#) section for any
 non-product compliance questions.

Search Parts in this Series

[39910Series](#)

Mates With

N/A

Current - Maximum per Contact
Voltage - Maximum

40A
600V

Solder Process Data

Lead-free Process Capability

Wave Capable (TH only)

Material Info

Old Part Number

913504

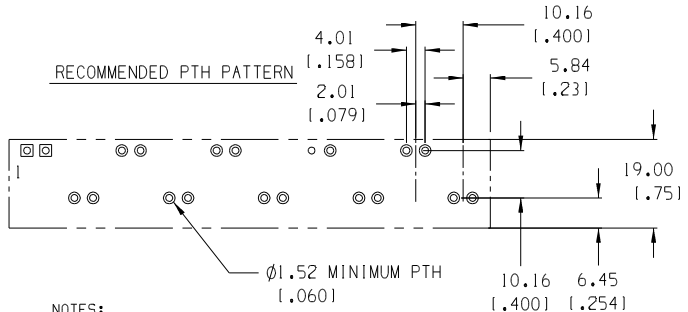
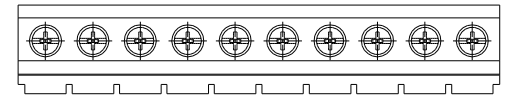
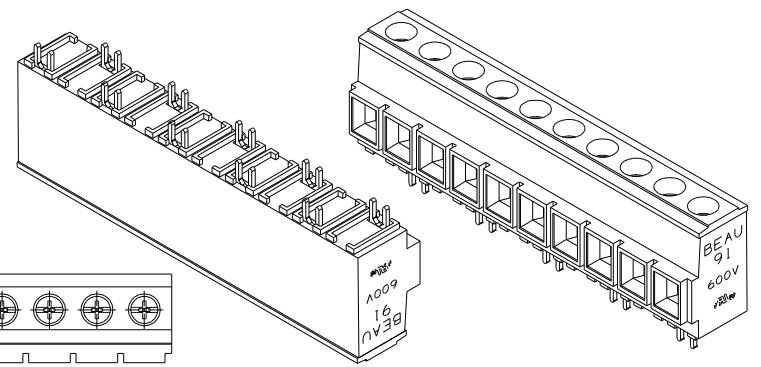
Reference - Drawing Numbers

Sales Drawing

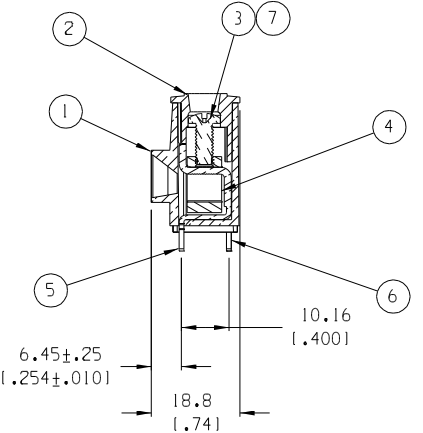
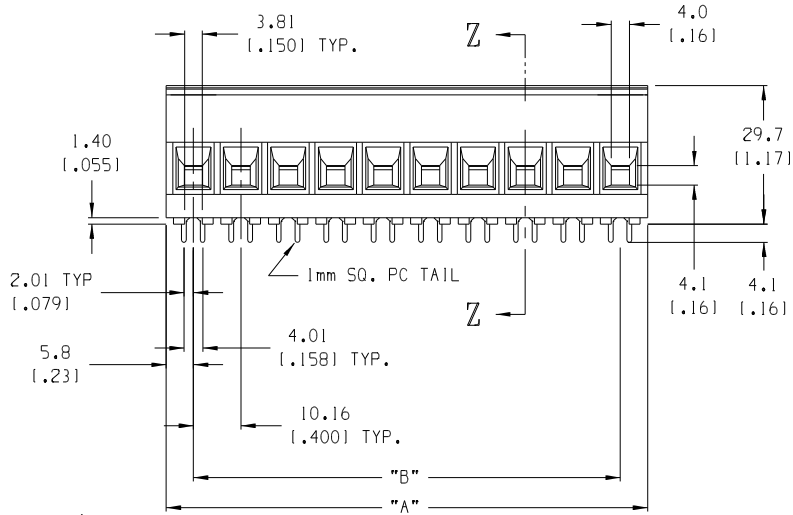
SD-39910-002

This document was generated on 04/27/2010

PLEASE CHECK WWW.MOLEX.COM FOR LATEST PART INFORMATION



- NOTES:
1. MATERIAL: SEE TABLE
 2. FINISHES: SEE TABLE
 3. PRODUCT SPECIFICATION: NOT REQUIRED
 4. PACKAGING: NOT REQUIRED
 5. MATES WITH: NONE
 6. PART IS DESIGNED TO MEET UL 1059 CLASS C 600V, 40A
 7. STAGGERED PC TAIL POSITION ON ALTERNATE CIRCUITS
 8. "XX" REFERS TO NUMBER OF CIRCUITS
 9. FOR OPTIONAL IMPRINTING, REFER TO SD-38120-005



ITEM	QTY.	DESCRIPTION	MATERIAL	FINISH
7	XX	SCREW, M4, #2 POZI-SLOT, ST. STEEL	ST. STEEL	TIN
6	A/R	REAR TERMINAL	COPPER	TIN
5	A/R	FRONT TERMINAL	COPPER	TIN
4	XX	CAGE	BRASS	NICKEL
3	XX	SCREW, M4, #2 POZI-SLOT, BRONZE	BRONZE	TIN
2	1	COVER	THERMOPLASTIC	BLACK
1	1	BODY	THERMOPLASTIC	BLACK

ECN# 4261
 DRAWN: RK 10-7-05
 CH'K:
 APPR:
 REV

DESCRIPTION	MAJOR	CRITICAL
4 PLACES	mm	INCH
3 PLACES	±.038	±.005
2 PLACES	±.13	±.01
1 PLACE	±.3	
ANGULAR: ±2°		

SCALE: 1:1	DESIGN UNITS: <input type="checkbox"/> mm <input checked="" type="checkbox"/> INCH
DRAWN BY & DATE: R.STONE 9-13-00	CHECKED BY & DATE: R.KEMP 9-13-02
APPROVED BY & DATE: L. ROTHHAUS 9-27-02	
CAD FILENAME: 9135XX	

PROJECT NO. - - -

DIMENSIONS: mm INCH mm ONLY

SHT REV: 1 OF 2

TITLE: SR BTS 8 AWG ASSY, 600V 40 A

MOLEX INCORPORATED

MATERIAL NO. SEE CHART

DRAWING NO. SD-39910-002

SHEET NO. 1 OF 2

SIZE B

THIS DRAWING CONTAINS INFORMATION THAT IS PROPRIETARY TO MOLEX INCORPORATED AND SHOULD NOT BE USED WITHOUT WRITTEN PERMISSION.

MATERIAL	MATERIAL NUMBER	MATERIAL NUMBER	MATERIAL NUMBER	MATERIAL NUMBER	MATERIAL NUMBER	MATERIAL NUMBER	NUMBER	"A" DIM.	"B" DIM.
STD	OPTIONAL 10A IMPRINT	OPTIONAL 11A IMPRINT	OPTIONAL (-56) SS SCREW	OPTIONAL SLOTTED SCREW	OPTIONAL SLOTTED SCREW W/10A IMPRINT	OPTIONAL SLOTTED SCREW W/11A IMPRINT	OF CIRCUITS		
399100302	399110302	399140302	399100602	399100502	399110502	399140502	2	21.84 [1.86]	110.16 [1.400]
399100303	399110303	399140303	399100603	399100503	399110503	399140503	3	32.00 [1.26]	120.32 [1.800]
399100304	399110304	399140304	399100604	399100504	399110504	399140504	4	42.16 [1.66]	130.48 [1.200]
399100305	399110305	399140305	399100605	399100505	399110505	399140505	5	52.32 [2.06]	140.64 [1.600]
399100306	399110306	399140306	399100606	399100506	399110506	399140506	6	62.48 [2.46]	150.80 [2.000]
399100307	399110307	399140307	399100607	399100507	399110507	399140507	7	72.64 [2.86]	160.96 [2.400]
399100308	399110308	399140308	399100608	399100508	399110508	399140508	8	82.80 [3.26]	171.12 [2.800]
399100309	399110309	399140309	399100609	399100509	399110509	399140509	9	92.96 [3.66]	181.28 [3.200]
399100310	399110310	399140310	399100610	399100510	399110510	399140510	10	103.12 [4.06]	191.44 [3.600]
399100311	399110311	399140311	399100611	399100511	399110511	399140511	11	113.28 [4.46]	101.60 [4.000]
399100312	399110312	399140312	399100612	399100512	399110512	399140512	12	123.44 [4.86]	111.76 [4.400]
399100313	399110313	399140313	399100613	399100513	399110513	399140513	13	133.60 [5.26]	121.92 [4.800]
399100314	399110314	399140314	399100614	399100514	399110514	399140514	14	143.76 [5.66]	132.08 [5.200]

EC NO. SEE SHEET DRAWN: ONE CH: K1 APPR: REV	QUALITY SYMBOLS MAJOR CRITICAL SPC S	DESCRIPTION C S	GENERAL TOLERANCES: (UNLESS SPECIFIED) mm INCH		SCALE N/A	DESIGN UNITS <input type="checkbox"/> mm <input checked="" type="checkbox"/> INCH	THIRD ANGLE PROJECTION 	DIMENSIONS: <input checked="" type="checkbox"/> mm <input type="checkbox"/> INCH <input type="checkbox"/> mm ONLY	PROJECT NO. - -	SHT -	REV -
			DRAWN BY & DATE J. FARMER 08-10-04	TITLE: SR BTS 8 AWG ASSY, 600V 40 A							
			CHECKED BY & DATE R. STONE 08-10-04	MOLEX INCORPORATED							
			APPROVED BY & DATE GHR 08-10-04	CAD FILENAME 9135XX.PRT	MATERIAL NO. SEE CHART	DRAWING NO. SD-39910-002	SHEET NO. 2 OF 2				
DRAFT WHERE APPLICABLE MUST REMAIN WITHIN DIMENSIONS								THIS DRAWING CONTAINS INFORMATION THAT IS PROPRIETARY TO MOLEX INCORPORATED AND SHOULD NOT BE USED WITHOUT WRITTEN PERMISSION.			SIZE B