

PLEASE CHECK WWW.MOLEX.COM FOR LATEST PART INFORMATION

Part Number: [0737711100](#)
Status: **Active**
Overview: [hdm](#)
Description: 2.00mm (.079") Pitch HDM® Board-to-Board Stacking Header, High Rise Vertical, SMC, Press-Fit, Guide Pin Option, 144 Circuits

Documents:

[3D Model](#) [Product Specification PS-73780-999 \(PDF\)](#)
[Drawing \(PDF\)](#) [RoHS Certificate of Compliance \(PDF\)](#)

Agency Certification

CSA LR19980
 UL E29179

General

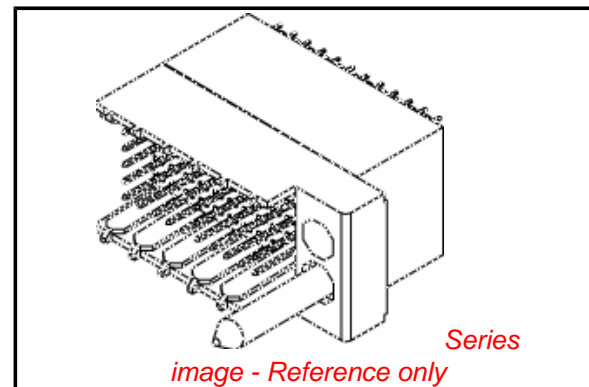
Product Family Backplane Connectors
 Series [73771](#)
 Application Midplane
 Component Type PCB Header
 Overview [hdm](#)
 Product Name HDM®
 Style N/A

Physical

Circuits (Loaded) 144
 Circuits (maximum) 144
 Color - Resin Black
 Durability (mating cycles max) 250
 Flammability 94V-0
 Keying to Mating Part Yes
 Material - Metal Phosphor Bronze, Stainless Steel
 Material - Plating Mating Gold
 Material - Plating Termination Tin-Lead
 Material - Resin High Temperature Thermoplastic
 Number of Columns 24
 Number of Pairs Open Pin Field
 Number of Rows 6
 Orientation Vertical
 PCB Retention Yes
 PCB Thickness Recommended (in) 0.098 In
 PCB Thickness Recommended (mm) 2.50 mm
 Packaging Type Tube
 Pitch - Mating Interface (in) 0.079 In
 Pitch - Mating Interface (mm) 2.00 mm
 Plating min: Mating (µin) 30
 Plating min: Mating (µm) 0.75
 Plating min: Termination (µin) 15
 Plating min: Termination (µm) 0.375
 Polarized to PCB No
 Surface Mount Compatible (SMC) Yes
 Temperature Range - Operating -55°C to +105°C
 Termination Interface: Style Through Hole - Compliant Pin

Electrical

Current - Maximum per Contact 1A
 Data Rate 1.0 Gbps



EU RoHS

RoHS Compliant by Exemption

REACH SVHC

Contains SVHC: No

Halogen-Free

Status

Halogen-Free

Need more information on product environmental compliance?

Email productcompliance@molex.com
 For a multiple part number RoHS Certificate of Compliance, [click here](#)

Please visit the [Contact Us](#) section for any non-product compliance questions.

China RoHS



Pb

Search Parts in this Series

[73771Series](#)

Mates With

[73632 HDM PLUS® Board-to-Board Daughterboard Receptacle](#), [73780 HDM® Board-to-Board Daughtercard Receptacle](#)

Application Tooling | FAQ

Tooling specifications and manuals are found by selecting the products below. Crimp Height Specifications are then contained in the Application Tooling Specification document.

Global

Description	Product #
HDM® Backplane Insertion Signal Contact Tool	0621001400
HDM® Backplane Insertion Head for 144 Positions Extraction Tool	0622005703
	0621001000

Voltage - Maximum

250V AC

Material Info

Reference - Drawing Numbers

Packaging Specification

PK-70873-0870

Product Specification

PS-73780-999

Sales Drawing

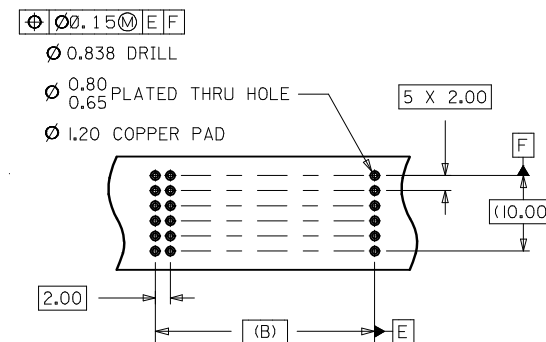
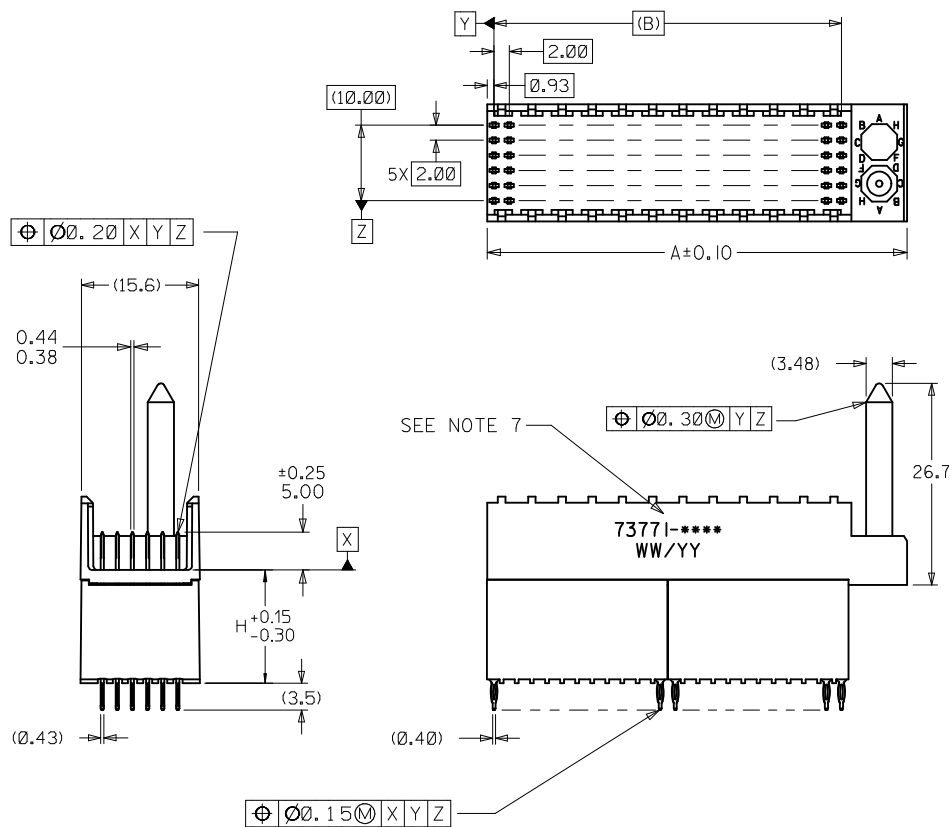
SD-73771-001

HDM and High Density Metric are trademarks of Amphenol Corporation

This document was generated on 05/14/2010

PLEASE CHECK WWW.MOLEX.COM FOR LATEST PART INFORMATION

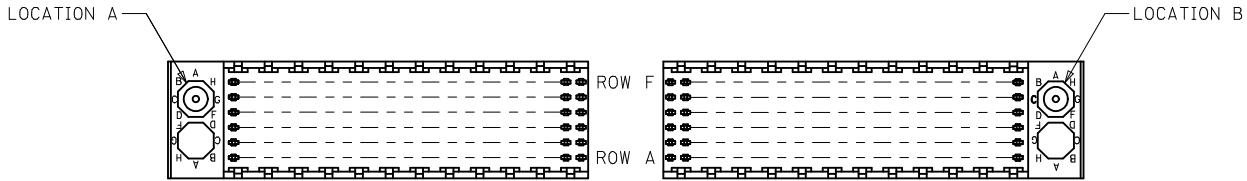
ASSEMBLY P/N	TOTAL NUMBER OF SIGNAL CONTACTS	DIM "A"	DIM "B"	DIM "H"
73771-01**	72	31.6	22.00	15.05
73771-02**	72	31.6	22.00	6.05
73771-03**	72	31.6	22.00	10.05
73771-11**	144	55.6	46.00	15.05
73771-12**	144	55.6	46.00	6.05
73771-13**	144	55.6	46.00	10.05



NOTES:

1. MATERIALS: HOUSING-LIQUID CRYSTAL POLYMER (LCP), GLASS FILLED, UL 94V-0, COLOR: BLACK, TERMINAL-PHOSPHOR BRONZE
2. FINISH: SELECTIVE GOLD (Au) IN CONTACT AREA, 0.00076 mm MINIMUM THICKNESS; SELECTIVE TIN/LEAD (Sn/Pb) ON TAILS, NICKEL (Ni) OVERALL.
3. THIS PART CONFORMS TO MOLEX PRODUCT SPECIFICATION PS-73780-999.
4. THIS PART CONFORMS TO COSMETIC SPECIFICATION PS-45499-002 CLASS C.
5. RECOMMENDED PCB THICKNESS: 2.50 MM.
6. PACKAGE PER PK-70873-0870, PK-70873-0871 OR PK-70873-0875.
7. PART MARKED WITH PART NUMBER AND DATE CODE APPROXIMATELY WHERE SHOWN.

REVISE H DIM TOL IEC NO: UCP2008-3186 DRWN:SDANWELLEY 2008/07/29 CHK:DMSIBARRA 2008/09/11 APPR:SMILLER 2008/09/16	QUALITY SYMBOLS ▽=0 ▽=0	GENERAL TOLERANCES (UNLESS SPECIFIED)		DIMENSION STYLE MM ONLY	SCALE 2:1	DESIGN UNITS METRIC	THIRD ANGLE PROJECTION
		4 PLACES ± --- ± --- 3 PLACES ± --- ± --- 2 PLACES ± 0.05 ± --- 1 PLACE ± 0.10 ± --- ANGULAR ± 1/2°	mm INCH ± --- ± --- ± 0.05 ± --- ± 0.10 ± ---	DRAWN BY JB INGHAM	DATE 1997/03/07	SALES ASSEMBLY HDM BACKPLANE STACKING MOD CLOSED END OPT PRESSFIT	
DRAFT WHERE APPLICABLE MUST REMAIN WITHIN DIMENSIONS		SEE CHART		APPROVED BY CB1XLER	DATE 1997/03/07	MOLEX MOLEX INCORPORATED	
				MATERIAL NO. SEE CHART	DOCUMENT NO. SD-73771-001	SHEET NO. 1 OF 2	
THIS DRAWING CONTAINS INFORMATION THAT IS PROPRIETARY TO MOLEX INCORPORATED AND SHOULD NOT BE USED WITHOUT WRITTEN PERMISSION							



REF. MATERIAL NUMBER 73771-1100
GUIDE PIN IS IN LOCATION A

REF. MATERIAL NUMBER 73771-1101
GUIDE PIN IS IN LOCATION B

MATERIAL NUMBER ASSIGNMENT

73771- * * * *

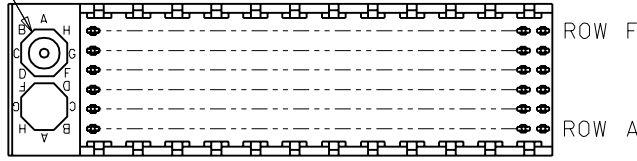
0 = 72-CIRCUIT
1 = 144-CIRCUIT

1 = 15.05 STACKING HEIGHT
2 = 6.05 STACKING HEIGHT
3 = 10.05 STACKING HEIGHT

NUMBER	GUIDE POST LOCATION
00	A
01	B
02	N/A

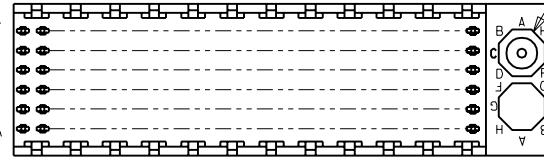
SEE SHEET 1 EC NO: UCP2008-3186 DRWN:SDANWELLY 2008/07/29 CHK:DMSTBARRA 2008/09/11 APPR:SMILLER 2008/09/16	QUALITY SYMBOLS ▽=0 ▽=0	GENERAL TOLERANCES (UNLESS SPECIFIED)		DIMENSION STYLE MM ONLY	SCALE 1:1	DESIGN UNITS METRIC	THIRD ANGLE PROJECTION																
		<table border="1"> <thead> <tr> <th></th> <th>mm</th> <th>INCH</th> </tr> </thead> <tbody> <tr> <td>4 PLACES</td> <td>± .---</td> <td>± .---</td> </tr> <tr> <td>3 PLACES</td> <td>± .---</td> <td>± .---</td> </tr> <tr> <td>2 PLACES</td> <td>± 0.05</td> <td>± .---</td> </tr> <tr> <td>1 PLACE</td> <td>± 0.10</td> <td>± .---</td> </tr> </tbody> </table>			mm	INCH	4 PLACES	± .---	± .---	3 PLACES	± .---	± .---	2 PLACES	± 0.05	± .---	1 PLACE	± 0.10	± .---	DRAWN BY JB INGHAM	DATE 1997/03/07	TITLE SALES ASSEMBLY HDM BACKPLANE STACKING MOD CLOSED END OPT PRESSFIT		
			mm	INCH																			
		4 PLACES	± .---	± .---																			
3 PLACES	± .---	± .---																					
2 PLACES	± 0.05	± .---																					
1 PLACE	± 0.10	± .---																					
ANGULAR ± 1/2°		CHECKED BY SREED	DATE 1997/03/07																				
DRAFT WHERE APPLICABLE MUST REMAIN WITHIN DIMENSIONS		APPROVED BY CB IXLER		DATE 1997/03/07	MOLEX INCORPORATED																		
MATERIAL NO. SEE TABLE		DOCUMENT NO. SD-73771-001		SHEET NO. 2 OF 2																			

LOCATION A



REF. MATERIAL NUMBER 73771-1100
GUIDE PIN IS IN LOCATION A

LOCATION B



REF. MATERIAL NUMBER 73771-1101
GUIDE PIN IS IN LOCATION B

MATERIAL NUMBER ASSIGNMENT

73771- * * * *

0 = 72-CIRCUIT
1 = 144-CIRCUIT

1 = 15.05 STACKING HEIGHT
2 = 6.05 STACKING HEIGHT
3 = 10.05 STACKING HEIGHT

NUMBER	GUIDE POST LOCATION
00	A
01	B
02	N/A

SEE SHEET 1 EC NO. UDT2000-1073 DRWN: BINGHAM 00/05/08 CHK: REED 00/05/08 APPR: BIXLER 00/05/08	QUALITY SYMBOLS MAJOR = 0 CRITICAL = 0	GENERAL TOLERANCES: (UNLESS SPECIFIED) mm INCH		SCALE: NO: NE DESIGN UNITS: <input checked="" type="checkbox"/> mm <input type="checkbox"/> INCH	DIMENSIONS: <input type="checkbox"/> mm <input type="checkbox"/> INCH <input checked="" type="checkbox"/> mm ONLY	SHT REV REVISION ON CAD ONLY	
		DRAWN BY & DATE JBINGHAM 97/03/07		CHECKED BY & DATE SREED 97/03/07		TITLE: SALES ASSEMBLY HDM BACKPLANE STACKING MODULE POLAR/GUIDE OPTION PRESSFIT	
		APPROVED BY & DATE CBIXLER 97/03/07		CAD FILENAME S73771X2.DGN		MATERIAL NO. DRAWING NO. SHEET NO. SEE CHART SD-73771-001 2	
		DRAFT WHERE APPLICABLE MUST REMAIN WITHIN DIMENSIONS		ANGLAR: ± °		THIS DRAWING CONTAINS INFORMATION THAT IS PROPRIETARY TO MOLEX INCORPORATED AND SHOULD NOT BE USED WITHOUT WRITTEN PERMISSION.	