

**PLEASE CHECK WWW.MOLEX.COM FOR LATEST PART INFORMATION**

**Part Number:** [0850010036](#)  
**Status:** **Active**  
**Overview:** IEC 603-2 / DIN 41612  
**Description:** 2.54mm (.100") Pitch DIN 41612 Header, Style B, Right Angle, Through Hole, 0.6µm (24µ") Selective Gold (Au), 64 Circuits

**Documents:**

[3D Model](#) [Product Specification PS-85003-0001 \(PDF\)](#)  
[Drawing \(PDF\)](#) [RoHS Certificate of Compliance \(PDF\)](#)

**Agency Certification**

CSA LR19980  
 UL E29179

**General**

Product Family Backplane Connectors  
 Series [85001](#)  
 Application Daughtercard  
 Comments No Mounting Clips. No Flux Proof  
 Component Type PCB Header  
 Overview [IEC 603-2 / DIN 41612](#)  
 Product Name IEC 603-2/DIN 41612  
 Style B

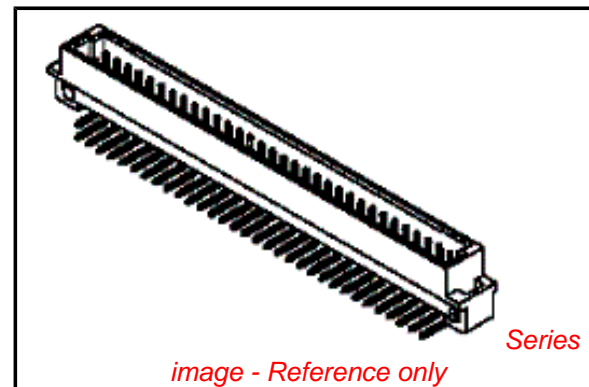
**Physical**

Circuits (Loaded) 64  
 Circuits (maximum) 64  
 Circuits Detail Contact Positions: A:a1-a32 and B:b1-b32  
 Durability (mating cycles max) 400  
 First Mate / Last Break No  
 Flammability 94V-0  
 Guide to Mating Part No  
 Keying to Mating Part Yes  
 Number of Columns 16  
 Number of Pairs Open Pin Field  
 Number of Rows 2  
 Orientation Right Angle  
 PC Tail Length (in) 0.118 In  
 PC Tail Length (mm) 3.00 mm  
 PCB Locator No  
 PCB Retention Yes  
 PCB Thickness Recommended (in) 0.062 In  
 PCB Thickness Recommended (mm) 1.60 mm  
 Packaging Type Tray  
 Pitch - Mating Interface (in) 0.100 In  
 Pitch - Mating Interface (mm) 2.54 mm  
 Pitch - Term. Interface (in) 0.100 In  
 Pitch - Term. Interface (mm) 2.54 mm  
 Temperature Range - Operating -55°C to +125°C  
 Termination Interface: Style Through Hole

**Electrical**

Current - Maximum per Contact 1.5A  
 Data Rate 622.0 Mbps  
 Voltage - Maximum 250V AC (RMS)

**Material Info**



*image - Reference only*

**EU RoHS**

**ELV and RoHS Compliant**  
**REACH SVHC**  
 Not Reviewed  
**Halogen-Free Status**  
 Not Reviewed

**China RoHS**



**Need more information on product environmental compliance?**

Email [productcompliance@molex.com](mailto:productcompliance@molex.com)  
 For a multiple part number RoHS Certificate of Compliance, [click here](#)

Please visit the [Contact Us](#) section for any non-product compliance questions.

**Search Parts in this Series**

[85001Series](#)

**Mates With**

DIN 41612 Receptacle [85040](#) , [85050](#)

**Reference - Drawing Numbers**

Product Specification  
Sales Drawing

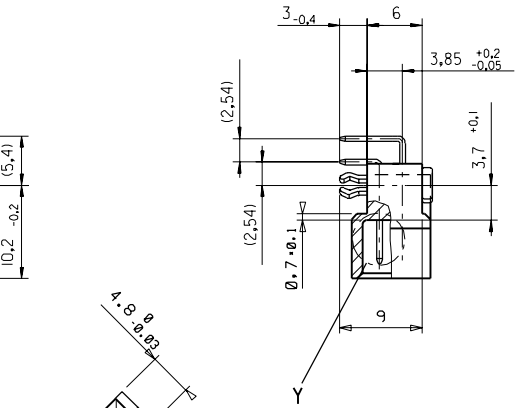
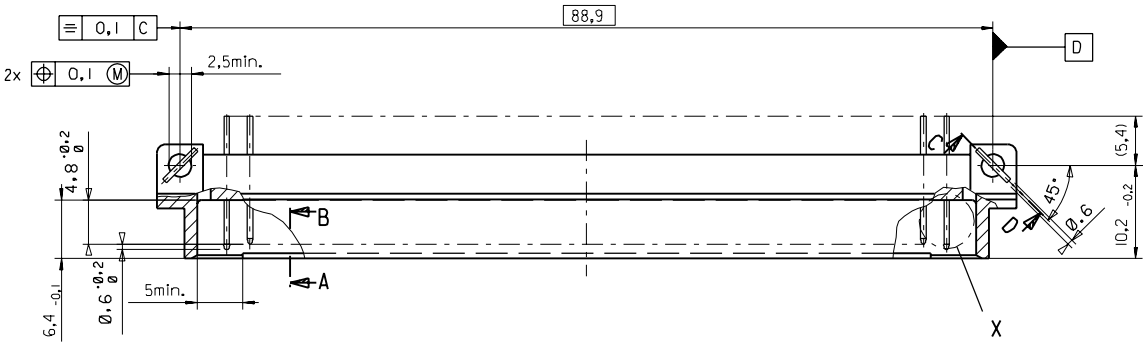
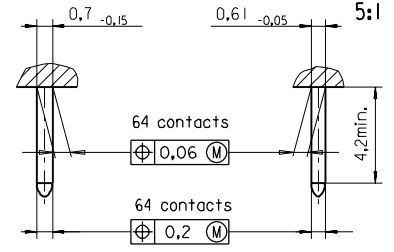
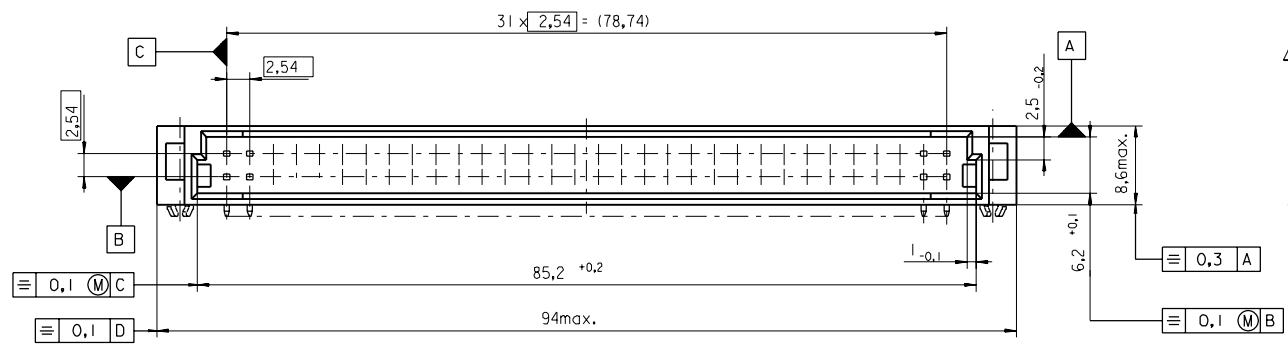
PS-85003-0001  
SDA-85001-0001, SDA-85001-0036

This document was generated on 03/09/2010

**PLEASE CHECK [WWW.MOLEX.COM](http://WWW.MOLEX.COM) FOR LATEST PART INFORMATION**

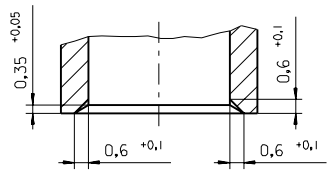
PART NO.  
DWG. NO.

View X  
5:1  
View Y  
5:1



Section C - D

Section A - B  
5:1



FIRST ANGLE PROJECTION		REVISE ONLY ON CAD SYSTEM		SH.	REV.	
first release see ECN No. 1887  A LTR REVISIONS FOR PREVIOUS REVISIONS SEE MRI LIST UNLESS OTHERWISE SPECIFIED TOLERANCES: ANGULAR ±2° INCH METRIC 3 PLACE ± . ± 2 PLACE ± . ± 1 PLACE ± . ± DRAFT WHERE APPLICABLE MUST REMAIN WITHIN DIMENSIONS DESIGN DIMENSION <input checked="" type="checkbox"/> MM <input type="checkbox"/> IN. EQUIVALENT DIMENSION <input type="checkbox"/> MM <input type="checkbox"/> IN. IF TWO DIMENSIONS ARE SHOWN THE UPPER IS THE DESIGN DIMENSION, LOWER IS SECONDARY	DRWG BY <b>Ca</b>	SIGN	CAD/CAM PROJECT NAME 85001000 S11	THIS DRAWING CONTAINS INFORMATION THAT IS PROPRIETARY TO MOLEX INC. & SHOULD NOT BE USED WITHOUT WRITTEN PERMISSION		
	CHK'D BY <b>KN</b>	SIGN	TITLE <b>64 pos. Male connector acc. DIN 41612 style B Dimensions</b>			
	APP'D BY	SIGN	<b>MOLEX</b> MOLEX EUROPE	SHEET NO. 1 OF	DATE 95/06/06	
	SCALE <b>2:1</b>		PART NO. <b>SDA-85001-0001</b>	DWG NO.	SIZE <b>B</b>	

VIEW ON MATING SIDE

∞	B	B	B	B	B	B	B	B	B	B	B	B	B	B	B	B	B	B	B	B	B	B	B	B	B
∞	A	A	A	A	A	A	A	A	A	A	A	A	A	A	A	A	A	A	A	A	A	A	A	A	A

A = 32 STANDARD CONTACTS L-3  
 B = 32 STANDARD CONTACTS L-3

S = 64 TOTAL NUMBER OF CONTACTS

Marking	Standard
Performance level	G2/0 = Contact area level2 / Termination tin
Flux proof	no
Fixing clip	no
Dimensions	SDA-85001-0001 sht.1
Technical Data	PS-85003-0001

B	G2/0
A	G2/0
Contact symbol	Perform. level
	Contact position number

C	see ECN No. 2204	96/07/18 Cd	REVISIONS
	LTR	FOR PREVIOUS REVISIONS SEE MRI LIST	

UNLESS OTHERWISE SPECIFIED TOLERANCES: ANGULAR ± 2°		DRWG BY	SIGN
3 PLACE	±	<b>Cd</b>	
INCH METRIC		CHK'D BY	SIGN
2 PLACE	±	<b>KN</b>	
1 PLACE	±	APP'D BY	SIGN
DRAFT WHERE APPLICABLE MUST REMAIN WITHIN DIMENSIONS		SCALE	
DESIGN DIMENSION <input type="checkbox"/> MM <input type="checkbox"/> IN.			
EQUIVALENT DIMENSION <input type="checkbox"/> MM <input type="checkbox"/> IN.			
IF TWO DIMENSIONS ARE SHOWN, THE UPPER IS THE DESIGN DIMENSION, LOWER IS SECONDARY			

REVISE ONLY ON CAD SYSTEM	SH. REV.
CADCAM PROJECT NAME S8500100 S31	THIS DRAWING CONTAINS PROPRIETARY TO MOLEX INC. & SHOULD NOT BE USED WITHOUT WRITTEN PERMISSION
TITLE 64 pos. Male connector acc. DIN 41612 style B contacts arrangement	
SHEET NO. DATE 1 OF 1 95/05/22	
PART NO. DWG NO. SDA-85001-0036	
SIZE A	