

**PLEASE CHECK WWW.MOLEX.COM FOR LATEST PART INFORMATION**

**Part Number:** [0850010074](#)  
**Status:** **Active**  
**Overview:** IEC 603-2 / DIN 41612  
**Description:** 2.54mm (.100") Pitch DIN 41612 Header, Style B/2, Right Angle, Through Hole, 0.6µm (24µ") Selective Gold (Au), Fixing Clip available ,32 Circuits

**Documents:**

[3D Model](#) [Product Specification PS-85003-0001 \(PDF\)](#)  
[Drawing \(PDF\)](#) [RoHS Certificate of Compliance \(PDF\)](#)

**Agency Certification**

CSA LR19980  
 UL E29179

**General**

Product Family Backplane Connectors  
 Series [85001](#)  
 Application Daughtercard  
 Component Type PCB Header  
 Overview [IEC 603-2 / DIN 41612](#)  
 Product Name IEC 603-2/DIN 41612  
 Style B/2

**Physical**

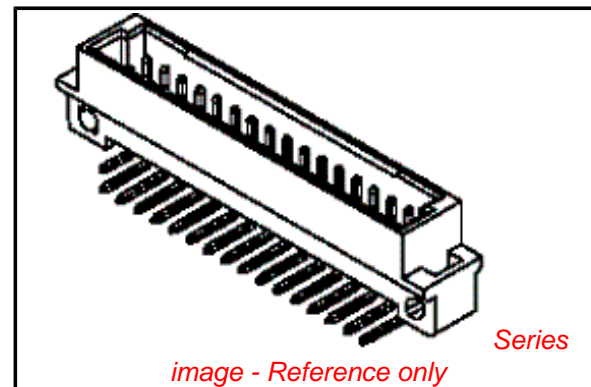
Circuits (Loaded) 32  
 Circuits (maximum) 32  
 Durability (mating cycles max) 400  
 First Mate / Last Break No  
 Flammability 94V-0  
 Guide to Mating Part No  
 Keying to Mating Part Yes  
 Number of Columns 16  
 Number of Pairs Open Pin Field  
 Number of Rows 2  
 Orientation Right Angle  
 PC Tail Length (in) 0.118 In  
 PC Tail Length (mm) 3.00 mm  
 PCB Locator No  
 PCB Retention Yes  
 PCB Thickness Recommended (in) 0.062 In  
 PCB Thickness Recommended (mm) 1.60 mm  
 Packaging Type Bag  
 Pitch - Mating Interface (in) 0.100 In  
 Pitch - Mating Interface (mm) 2.54 mm  
 Pitch - Term. Interface (in) 0.100 In  
 Pitch - Term. Interface (mm) 2.54 mm  
 Temperature Range - Operating -55°C to +125°C  
 Termination Interface: Style Through Hole

**Electrical**

Current - Maximum per Contact 1.5A  
 Data Rate 622.0 Mbps  
 Voltage - Maximum 250V AC (RMS)

**Material Info**

**Reference - Drawing Numbers**



**EU RoHS**

**ELV and RoHS Compliant**  
**REACH SVHC**  
 Not Reviewed  
**Halogen-Free Status**

**China RoHS**



**Not Reviewed**

**Need more information on product environmental compliance?**

Email [productcompliance@molex.com](mailto:productcompliance@molex.com)  
 For a multiple part number RoHS Certificate of Compliance, [click here](#)

Please visit the [Contact Us](#) section for any non-product compliance questions.

**Search Parts in this Series**

[85001Series](#)

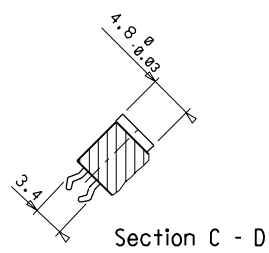
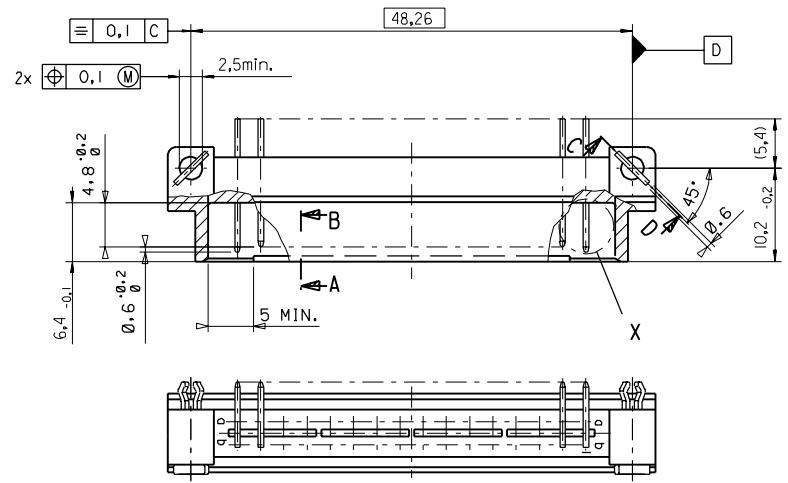
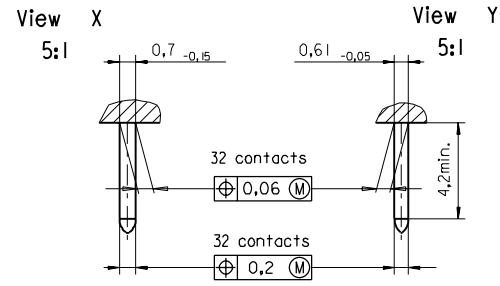
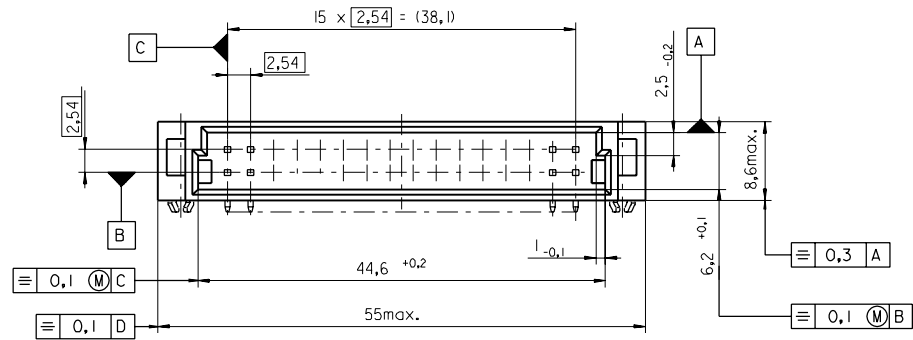
**Mates With**

DIN 41612 Receptacle [85040](#) , [85050](#)

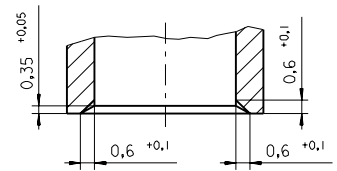
This document was generated on 03/09/2010

**PLEASE CHECK [WWW.MOLEX.COM](http://WWW.MOLEX.COM) FOR LATEST PART INFORMATION**

PART NO.  
DWG. NO.



Section A - B  
5:1



FIRST ANGLE PROJECTION		REVISE ONLY ON CAD SYSTEM		SH.	REV.
first release see ECN No. 1887	REVISIONS FOR PREVIOUS REVISIONS SEE MRI LIST	UNLESS OTHERWISE SPECIFIED TOLERANCES: ANGULAR ±2°	DRWG BY	CAD/CAM PROJECT NAME	
		INCH METRIC	Ca	8500000 621	THIS DRAWING CONTAINS INFORMATION THAT IS PROPRIETARY TO MOLEX INC. & SHOULD NOT BE USED WITHOUT WRITTEN PERMISSION
	3 PLACE ± . ±	2 PLACE ± . ±	CHK'D BY	TITLE	
	1 PLACE ± . ±	1 PLACE ± . ±	KN	32 pos. Male connector acc. DIN 41612 style B/2 Dimensions	
	DRAFT WHERE APPLICABLE MUST REMAIN WITHIN DIMENSIONS		APP'D BY	MOLEX EUROPE	
	DESIGN DIMENSION	<input checked="" type="checkbox"/> MM	SCALE	SHEET NO.	DATE
	EQUIVALENT DIMENSION	<input type="checkbox"/> MM	2:1	1 OF	95/06/06
	IF TWO DIMENSIONS ARE SHOWN THE UPPER IS THE DESIGN DIMENSION, LOWER IS SECONDARY			PART NO.	SIZE
				SDA-85001-0002	B

VIEW ON MATING SIDE

∞	B	B	B	B	B	B	B	B	B	B	B	B	B	B	B
◁	A	A	A	A	A	A	A	A	A	A	A	A	A	A	A

1 2 3 4 5 6 7 8 9 10 11 12 13 14 15 16 17 18 19 20 21 22 23 24 25 26 27 28 29 30 31 32

A = 16 STANDARD CONTACTS L=3

B = 16 STANDARD CONTACTS L=3

S = 32 TOTAL NUMBER OF CONTACTS

Marking	Standard
Performance level	G2/0 = Contact area level2 / Termination tin
Flux proof	no
Fixing clip	yes
Dimensions	SDA-85001-0002 sht.1
Technical Data	PS-85003-0001

B	G2/0
A	G2/0
Contact symbol	Perform. level
Contact position number	

C	see ECN No. 2204
	96/07/18 Cd
LTR	REVISIONS

FOR PREVIOUS REVISIONS SEE MRI LIST
UNLESS OTHERWISE SPECIFIED TOLERANCES: ANGULAR ± 2° INCH METRIC
3 PLACE ± . ±
2 PLACE ± . ±
1 PLACE ± . ±
DRAFT WHERE APPLICABLE MUST REMAIN WITHIN DIMENSIONS
DESIGN DIMENSION <input type="checkbox"/> MM <input type="checkbox"/> IN.
EQUIVALENT DIMENSION <input type="checkbox"/> MM <input type="checkbox"/> IN.
IF TWO DIMENSIONS ARE SHOWN, THE UPPER IS THE DESIGN DIMENSION, LOWER IS SECONDARY

DRWG BY	CC	SIGN
CHK'D BY	KN	SIGN
APP'D BY		SIGN
SCALE		

CAD/CAM PROJECT NAME	SH. REV.
S8500100 S71	THIS DRAWING CONTAINS PROPRIETARY TO MOLEX INC. & SHOULD NOT BE USED WITHOUT WRITTEN PERMISSION
TITLE	SHEET NO. DATE
32 pos. Male connector acc. DIN 41612 style B/2 contacts arrangement	1 OF 1 95/06/19
MOLEX® MOLEX EUROPE	DWG NO. SDA-85001-0074
PART NO. 85001-0074	SIZE A