



Product Selection

Type	Contacts	Current	Catalogue Number
 IP65 Enclosure Mounted	4 N.O.	20A	440T-MRKSE10⓪
	2 N.O. & 2 N.C.		440T-MRKSE11⓪
	4 N.O.	32A	440T-MRKSE12⓪
		63A	440T-MRKSE13⓪
	3 N.O. & 1 N.O.	3 N.O. 100A and 1 N.O. 20A	440T-MRKSE14⓪
	8 N.O.	20A	440T-MRKSE16⓪
 Panel Mounted	4 N.O.	20A	440T-MRPSE10⓪
	2 N.O. & 2 N.C.		440T-MRPSE11⓪
	4 N.O.	32A	440T-MRPSE12⓪
		63A	440T-MRPSE13⓪
	3 N.O. & 1 N.O.	3 N.O. 100A and 1 N.O. 20A	440T-MRPSE14⓪
	8 N.O.	20A	440T-MRPSE16⓪
4 N.O.	40A	440T-MRPSE20⓪	

⓪ Substitute the desired primary code for this symbol (key not included). See page 5-6 for code selection.

Accessories

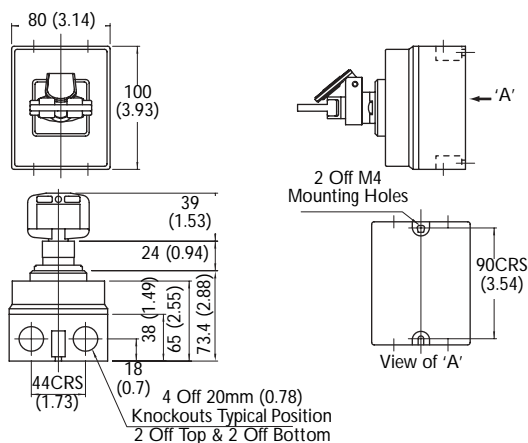
Description	Additional Information	Catalogue Number
Replacement Key	See page 5-33	440T-AKEYE10⊗
Replacement Code Barrel, All Except 100A		440T-ASCBE14⓪
Replacement Code Barrel, 100A		440T-ASCBE11⓪
Replacement Dust Cap		440T-ASFC10⊗
Cable Grip, M20 Conduit	14-2	440A-A09028
Adaptor, M20 to 1/2in NPT Plastic	14-2	440A-A09042
Supplemental Contact Assembly, 20A 1 N.O. Late Make, Early Break 1 N.C. Auxiliary	For use with RPSE12, RPSE13, RPSE20	440T-AACA10
Supplemental Contact Assembly, 20A 2 N.O. Late Make, Early Break	For use with RPSE12, RPSE13, RPSE20	440T-AACA11

⓪ Substitute the desired primary code for this symbol (key not included). See page 5-6 for code selection.

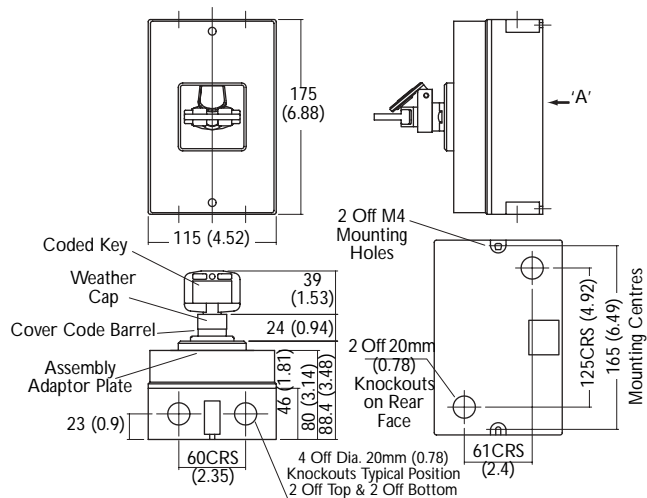
⊗ Substitute the desired code for this symbol. See page 5-6 for code selection.

Approximate Dimensions—mm (inches)

RKSE10 and RKSE11



RKSE12 and RKSE13

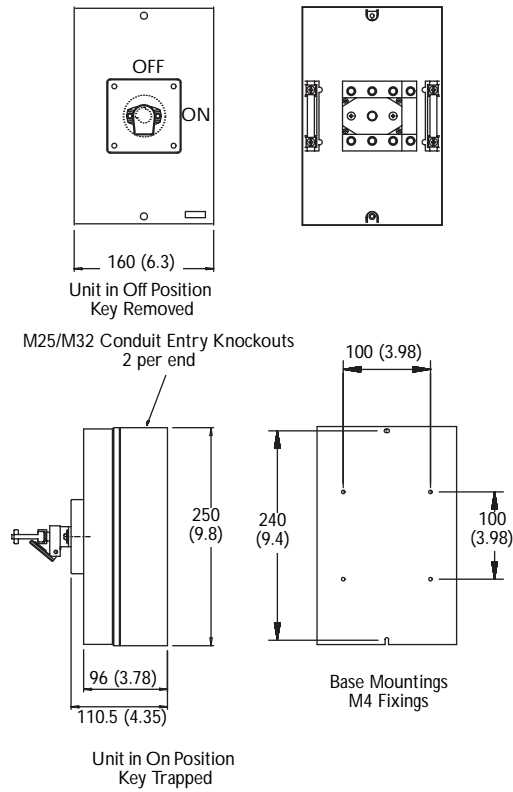


Prosafe Trapped Key Interlock Switches

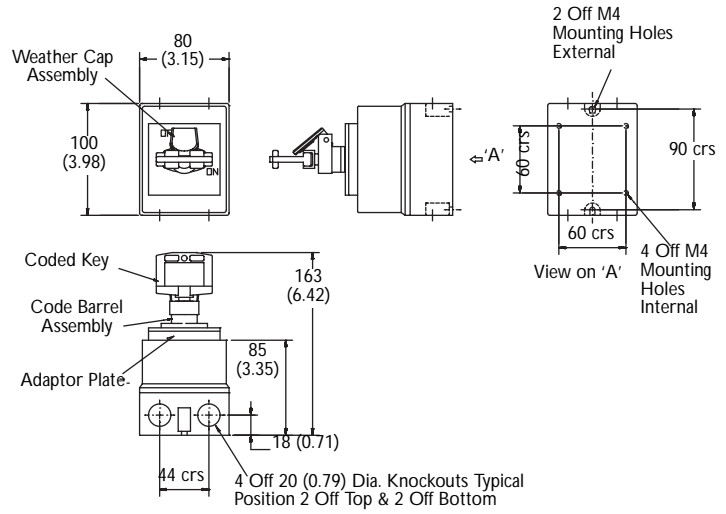
Rotary Switches

Approximate Dimensions—mm (inches) (continued)

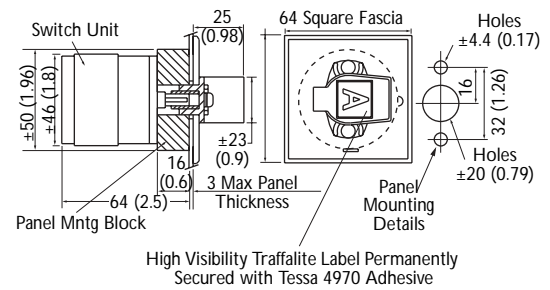
RKSE14



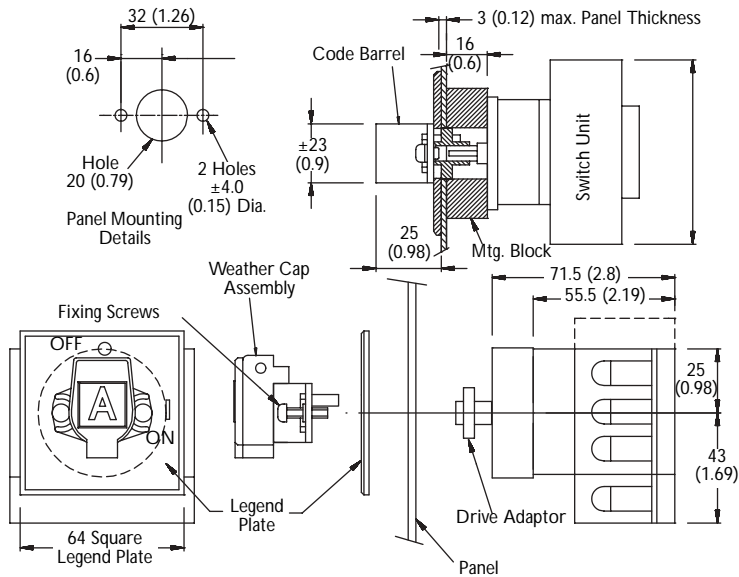
RKSE16



RPSE10 and 11

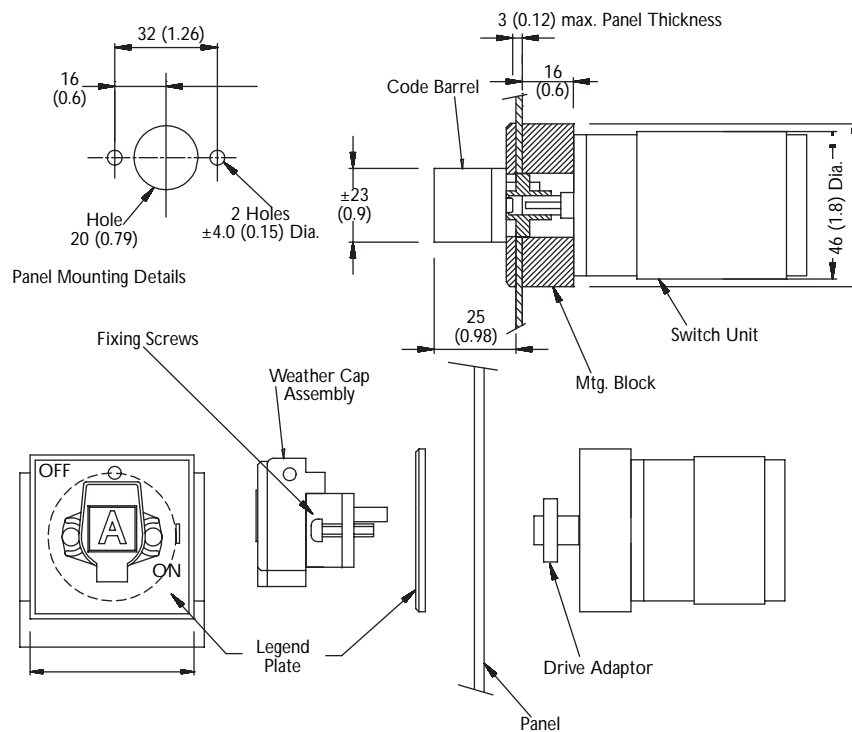


RPSE 12, 13, 14 and 20



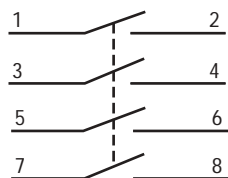
Approximate Dimensions—mm (inches) (continued)

RPSE16

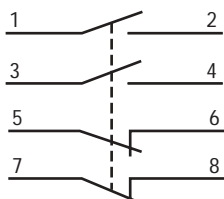


Typical Wiring

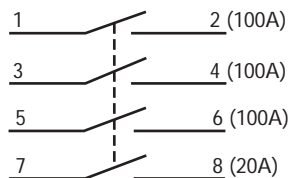
Diagrams Shown with Key Free



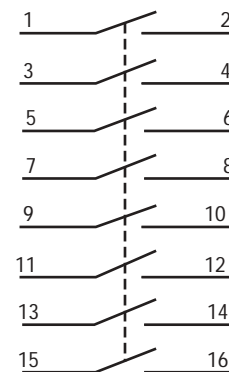
RKSE10 and RPSE10
 RKSE12 and RPSE12
 PKSE13 and RPSE13
 ----- and RPSE20



RKSE11 and RPSE11



RKSE14 and RPSE14



RKSE16 and RPSE16