

## FAN6791 / FAN6793

# Highly Integrated, Dual-PWM Combination Controller

### Features

- High-Voltage Startup
- Low Operating Current
- Interleaved Stand-by PWM / Forward PWM Switching
- Green Mode Stand-by PWM / Forward PWM
- Linearly Decreasing Stand-by PWM Frequency to 20kHz
- Remote On / Off
- AC Brownout Protection
- Forward PWM with Soft-Start
- Frequency Hopping to Reduce EMI Emissions
- Cycle-by-Cycle Current Limiting for Stand-by PWM / Forward PWM
- Leading-Edge Blanking for Stand-by PWM / Forward PWM
- Synchronized Slope Compensation for Stand-by PWM / Forward PWM
- GATE Output Maximum Voltage Clamp
- $V_{DD}$  Over-Voltage Protection (OVP)
- $V_{DD}$  Under-Voltage Lockout (UVLO)
- Internal Open-Loop Protection for Stand-by PWM / Forward PWM
- Constant Power Limit for Stand-by PWM / Forward PWM

### Applications

General-purpose switch-mode power supplies and flyback power converters, including:

- PC-ATX Power Supplies

### Description

The highly integrated FAN6791/3 dual PWM combination controller provides several features to enhance the performance of converters.

To minimize standby power consumption, a proprietary green-mode function provides off-time modulation to linearly decrease the switching frequency at light-load conditions. To avoid acoustic-noise problems, the minimum PWM frequency is set above 20KHz. This green-mode function enables the power supply to meet international power conservation requirements. With the internal high-voltage startup circuitry, the power loss due to bleeding resistors is also eliminated. To further reduce power consumption, FAN6791/3 is manufactured using the CMOS process, which allows an operating current of only 6mA.

FAN6791/3 integrates a frequency-jittering function internally to reduce EMI emissions of a power supply with minimum line filters. The built-in synchronized slope compensation achieves stable peak-current-mode control. The proprietary internal line compensation ensures constant output power limit.

FAN6791/3 provides many protection functions, including brownout protection, cycle-by-cycle current limiting, and an internal open-loop protection circuit to ensure safety should an open-loop or output short-circuit failure occur. PWM output is disabled until  $V_{DD}$  drops below the UVLO lower limit when the controller restarts. As long as  $V_{DD}$  exceeds ~24.5V, the internal OVP circuit is triggered.

### Ordering Information

Part Number	OPWM Maximum Duty	Operating Temperature Range	Eco Status	Package	Packing Method
FAN6791NY	48%	-40°C to +105°C	Green	16-pin Dual In-Line Package (DIP)	Tube
FAN6793NY	65%	-40°C to +105°C	Green	16-pin Dual In-Line Package (DIP))	Tube
FAN6791MY	48%	-40°C to +105°C	Green	16-pin Small Out-Line Package (SOP)	Tape & Reel
FAN6793MY	65%	-40°C to +105°C	Green	16-pin Small Out-Line Package (SOP)	Tape & Reel

For Fairchild's definition of "green" Eco Status, please visit: [http://www.fairchildsemi.com/company/green/rohs\\_green.html](http://www.fairchildsemi.com/company/green/rohs_green.html).

### Application Diagram

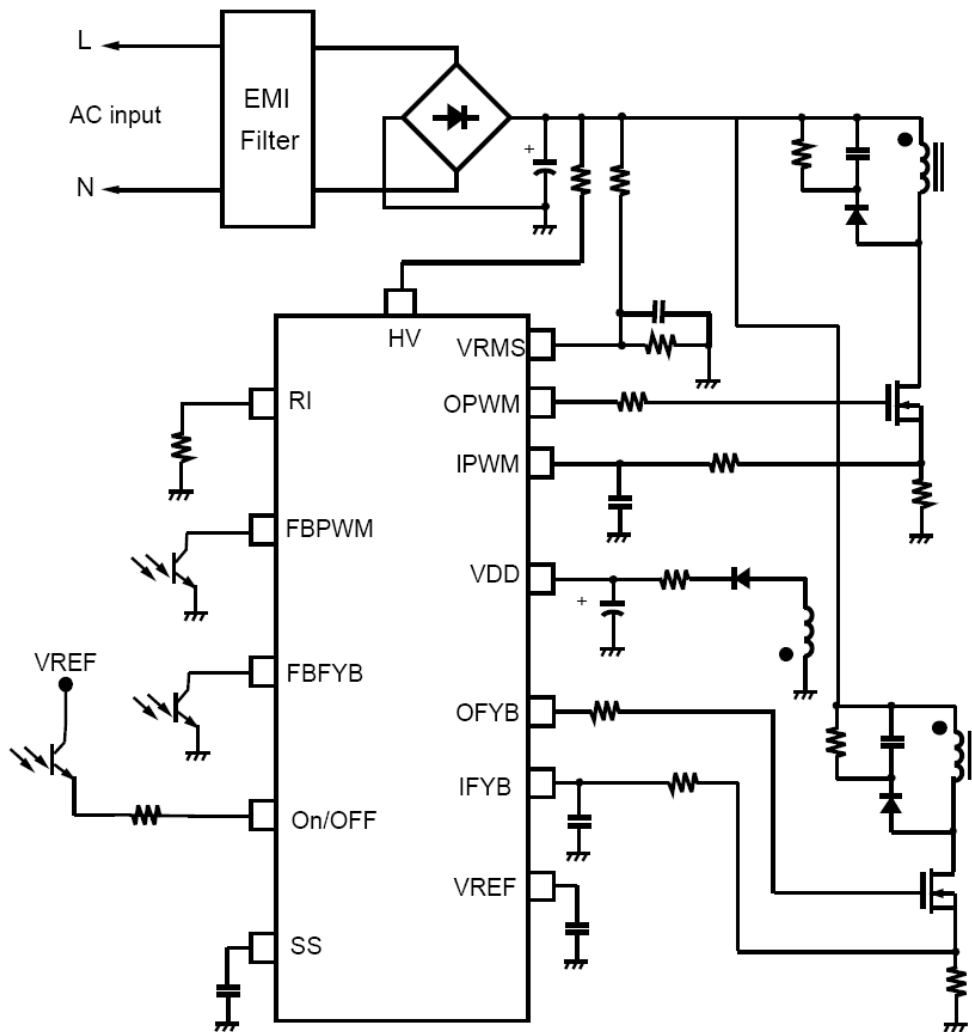


Figure 1. Typical Application

Block Diagram

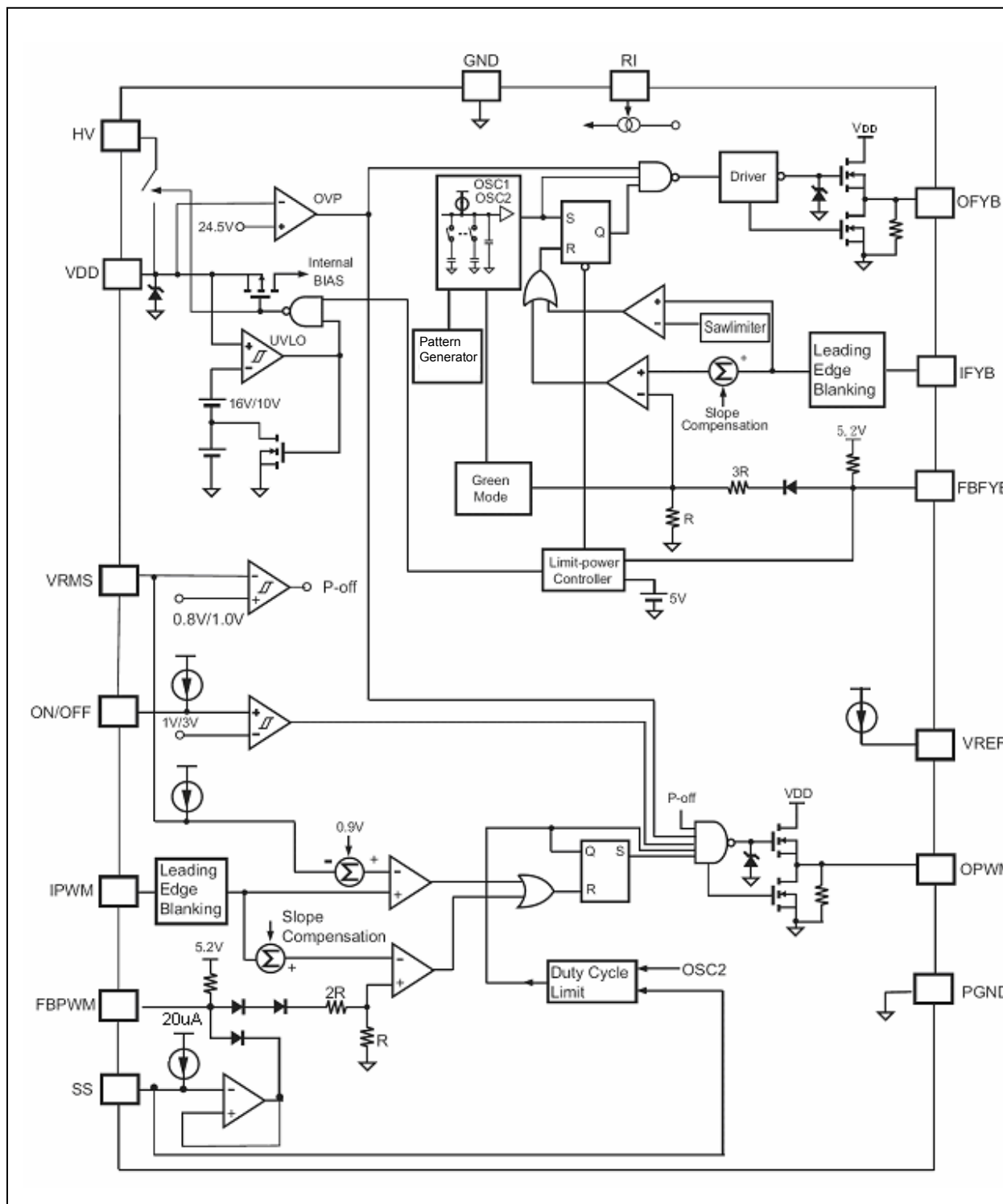
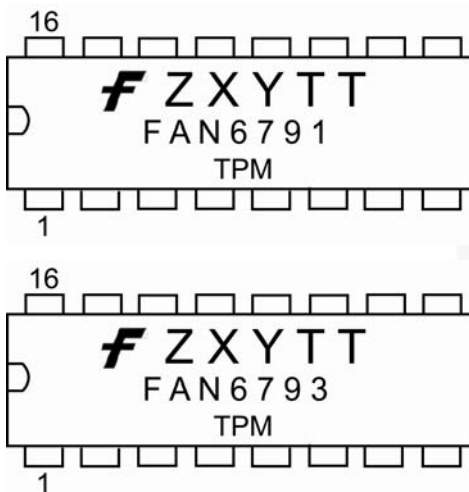


Figure 2. Function Block Diagram

### Marking Information



- F** – Fairchild Logo
- Z** – Plant Code
- X** – 1-Digit Year Code
- Y** – 1-Digit Week Code
- TT** – 2-Digit Die Run Code
- T** – Package Type (N:DIP, M:SOP)
- P** – Y: Green Package
- M** – Manufacture Flow Code

Figure 3. Top Mark

### Pin Configuration

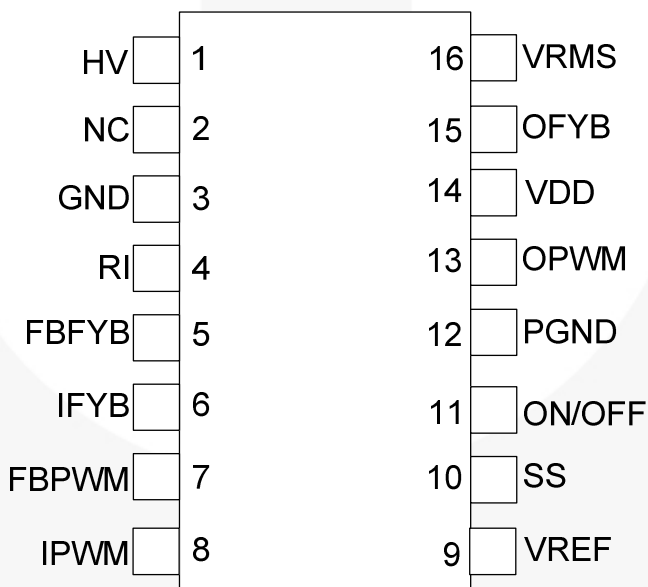


Figure 4. Pin Configuration (Top View)

## Pin Definitions

Pin #	Name	Description
1	HV	<b>For startup</b> , this pin is pulled HIGH to the line input or bulk capacitor via resistors.
2	NC	No connection.
3	GND	<b>Ground.</b>
4	RI	<b>Oscillator Setting.</b> One resistor connected between RI and ground pins determines the switching frequency (resistance between 12 ~ 47k $\Omega$ is recommended). The switching frequency is equal to $[1560 / RI]kHz$ , where RI is in k $\Omega$ . For example, if RI is equal to 24k $\Omega$ , then the switching frequency is 65kHz.
5	FBFYB	<b>Voltage Feedback for Flyback PWM Stage.</b> It is internally pulled HIGH through a 6.5k $\Omega$ resistor. An external opto-coupler from secondary feedback circuit is usually connected to this pin.
6	IFYB	<b>PWM Current Sense for Flyback PWM Stage.</b> The sensed voltage is used for peak-current-mode control and cycle-by-cycle current limiting.
7	FBPWM	<b>Voltage Feedback for Forward PWM Stage.</b> It is internally pulled HIGH through a 6.5k $\Omega$ resistor. An external opto-coupler from secondary feedback circuit is usually connected to this pin.
8	IPWM	<b>PWM Current Sense for Forward PWM Stage.</b> Via a current sense resistor, this pin provides the control input for peak-current-mode control and cycle-by-cycle current limiting.
9	VREF	<b>Reference voltage.</b> This pin can provide a reference voltage 5V.
10	SS	<b>PWM Soft-Start.</b> During startup, the SS pin charges an external capacitor with a 20 $\mu A$ constant current source. The voltage on FBPWM is clamped by SS during startup. In the event of a protection condition occurring and/or forward PWM being disabled, the SS pin quickly discharges.
11	ON/OFF	<b>PWM Remote ON/OFF.</b> Active HIGH. The forward PWM is disabled whenever the voltage at this pin is lower than 0.8V or the pin is open.
12	PGND	<b>Ground.</b> The power ground.
13	OPWM	<b>Forward PWM Gate Drive.</b> The totem-pole output drive for the forward PWM MOSFET. This pin is internally clamped under 16V to protect the MOSFET.
14	VDD	<b>Power Supply.</b> The internal protection circuit disables PWM output as long as $V_{DD}$ exceeds the OVP trigger point.
15	OFYB	<b>Flyback PWM Gate Drive.</b> The totem-pole output drive for the forward PWM MOSFET. This pin is internally clamped under 16V to protect the MOSFET.
16	VRMS	<b>Line-Voltage Detection.</b> The pin is used for line compensation, for forward, and brownout protection.

## Absolute Maximum Ratings

Stresses exceeding the absolute maximum ratings may damage the device. The device may not function or be operable above the recommended operating conditions and stressing the parts to these levels is not recommended. In addition, extended exposure to stresses above the recommended operating conditions may affect device reliability. The absolute maximum ratings are stress ratings only. All voltage values, except differential voltage, are given with respect to GND pin. Stresses beyond those listed under “absolute maximum ratings” may cause permanent damage to the device.

Symbol	Parameter	Min.	Max.	Unit
V <sub>DD</sub>	DC Supply Voltage		27	V
V <sub>HV</sub>	Input Voltage to HV Pin		500	V
V <sub>HIGH</sub>	OPWM, OFYB, ON/OFF	-0.3	27.0	V
V <sub>LOW</sub>	Others	-0.3	7.0	V
P <sub>D</sub>	Power Dissipation (T <sub>A</sub> < 50°C)		800	°C/W
T <sub>J</sub>	Operating Junction Temperature	-40	+125	°C
T <sub>STG</sub>	Storage Temperature Range	-55	+150	°C
R <sub>θj-a</sub>	Thermal Resistance (Junction-to-Case)		82.5	°C/W
T <sub>L</sub>	Lead Temperature (Wave Soldering, 10 Seconds)		+260	°C
ESD	Human Body Model , JEDEC:JESD22-A114 (All Pins Except HV Pin)		3.5	kV
	Charged Device Model , JEDEC:JESD22-C101 (All Pins Except HV Pin)		1.5	

## Recommended Operating Conditions

The Recommended Operating Conditions table defines the conditions for actual device operation. Recommended operating conditions are specified to ensure optimal performance to the datasheet specifications. Fairchild does not recommend exceeding them or designing to Absolute Maximum Ratings.

Symbol	Parameter	Min.	Max.	Unit
T <sub>A</sub>	Operating Ambient Temperature	-40	+105	°C

## Electrical Characteristics

$V_{DD}=18V$ ;  $R_I=24k\Omega$ ;  $T_A=25^\circ C$ , unless noted.

Symbol	Parameter	Conditions	Min.	Typ.	Max.	Units
<b>V<sub>DD</sub> Section</b>						
$V_{DD-OP}$	Continuously Operating Voltage				22	V
$I_{DD-ST}$	Startup Current	$V_{DD} - 0.16V$		10	50	$\mu A$
$I_{DD-OP1}$	Operating Current 1	$V_{DD}=15V$ , GATE Open		6	10	mA
$I_{DD-OP2}$	Operating Current 2	$V_{DD}=15V$ , GATE Open, $I_{REF}=10mA$		16	20	mA
$V_{TH-ON}$	Start Threshold Voltage		15	16	17	V
$V_{TH-OFF}$	Minimum Operating Voltage		9	10	11	V
$V_{TH-OLP}$	$I_{DD-OLP}$ Off Voltage		6.5	7.5	8.0	V
$I_{TH-OLP}$	Internal Sink Current	$V_{TH-OLP} + 0.1V$	70	80	100	$\mu A$
$V_{DD-OVP}$	$V_{DD}$ Over-voltage Protection (Turn Off PWM with Delay)		23.4	24.5	25.5	V
$t_{OVP}$	$V_{DD}$ Over-Voltage Protection Debounce	$V_{DD-OVP}=26V$	80	100	120	$\mu s$
<b>HV</b>						
$I_D$	Maximum Input Current	$V_{AC}=90V(V_{DC}=120V)$ , $V_{DD}=10\mu F$	1.5	2.5	3.5	mA
$I_{HV-CS}$	Internal Current Source	HV=500V, $V_{DD}=15V$		10	50	$\mu A$
<b>Oscillator and Green-Mode Operation</b>						
$V_{RI}$	RI Voltage		1.176	1.200	1.224	V
$f_{OSC}$	Normal PWM Frequency	Center Frequency, $R_I=24k\Omega$	62	65	68	kHz
		Jitter Range	$\pm 3.7$	$\pm 4.2$	$\pm 4.7$	
$f_{OSC-G-MIN}$	Minimum Frequency in Green Mode	$R_I=24k\Omega$	18	20	22	kHz
RI	RI Range		12	24	47	k $\Omega$
$R_{IOPEN}$	RI Pin Open Protection	If $R_I > R_{IOPEN}$ , PWM Turned Off	1			M $\Omega$
$R_{ISHORT}$	RI Pin Short Protection	If $R_I > R_{ISHORT}$ , PWM Turned Off			6	k $\Omega$
<b>V<sub>RMS</sub> for AC Brownout Protection</b>						
$V_{RMS-OFF}$	Off Threshold Voltage for AC Brownout Protection		0.75	0.80	0.85	V
$V_{RMS-ON}$	Start Threshold Voltage for AC Brownout Protection		$V_{RMS-UVP-1}$ +0.17	$V_{RMS-UVP-1}$ +0.19	$V_{RMS-UVP-1}$ +0.21	V
$t_{RMS}$	AC Brownout Protection Debounce Time	$R_I=24k\Omega$	150	195	240	ms
<b>VREF</b>						
$V_{REF}$	Reference Voltage	$I_{REF}=1mA$ , $C_{REF}=0.1\mu F$	4.75	5.00	5.25	V
$\Delta V_{REF1}$	Load Regulation of Reference Voltage	$C_{REF}=0.1\mu F$ , $I_{REF}=1mA$ to 10mA			80	mV
$\Delta V_{REF2}$	Line Regulation of Reference Voltage	$C_{REF}=0.1\mu F$ , $V_{DD}=12V$ to 22V			25	mV
$I_{REF\_MAX}$	Maximum Current		10		15	mA
$I_{OS}$	Output Short Circuit		15	20	25	mA

## Electrical Characteristics

$V_{DD}=18V$ ;  $R_I=24k\Omega$ ;  $T_A=25^\circ C$ , unless noted.

Symbol	Parameter	Conditions	Min.	Typ.	Max.	Units
<b>ON/OFF</b>						
$R_{ON/OFF}$	Impedance ON/OFF Pin		50		100	k $\Omega$
$V_{ON}$	High Threshold Level of Synchronizing Signal		2.4	3.0	3.6	V
$V_{OFF}$	Low Threshold Level of Synchronizing Signal		0.8	1.0	1.2	V
<b>Over Temperature Protection (OTP)</b>						
$T_{Off}$	Protection Junction Temperature <sup>(1)</sup>		130	140	+150	$^\circ C$
$T_{Restart}$	Restart Junction Temperature <sup>(2)</sup>		100	110	+120	$^\circ C$
<b>Flyback PWM Stage</b>						
<b>FBFVB Feedback Input</b>						
$A_{V-FLY}$	FB Input to Current Comparator Attenuation		1/3.75	1/3.20	1/2.75	V/V
$Z_{FB}$	Input Impedance		4	5	7	k $\Omega$
$V_{HGH}$	Output High Voltage	FB Pin Open	5.0	5.2		V
$V_{FB-OLP}$	FB Open-Loop Trigger Level		4.2	4.5	4.8	V
$t_{OLP}$	FB Open-Loop Protection Delay		53	56	59	ms
$V_N$	Green Mode Entry FB Voltage		2.4	2.5	2.6	V
$S_G$	Slope of Green-Mode Modulation		60	75	90	Hz/mV
$V_G$	Green Mode Ending FB Voltage		1.8	1.9	2.0	V
$V_{OZ-OFYB}$	$V_{FBPWM}$ for Zero Duty Cycle (Forward Turn On)		1.2	1.3	1.4	V
<b>IFYB Current Sense</b>						
$Z_{CS}$	Input Impedance			12		k $\Omega$
$V_{LIMIT1}$	Peak Current Limit Threshold Voltage 1	$V_{RMS}=1V$	0.75	0.80	0.85	V
$V_{LIMIT2}$	Peak Current Limit Threshold Voltage 2	$V_{RMS}=1.5V$		$V_{LIMIT1}-0.1$		V
$t_{PD}$	Propagation Delay to GATE Output	$V_{DD}=15V$ , OFYB Drops to 9V	60		120	ns
$t_{BNK}$	Leading-Edge Blanking Time		200	270	350	ns
$\Delta V_{SLOPE}$	Slope Compensation	Duty=DCY <sub>MAX</sub>	0.34	0.37	0.41	V
$V_{S-SCP}$	Threshold Voltage for SENSE Short-Circuit Protection		0.1	0.15	0.2	V
$t_{D-SSCP}$	Delay Time for SENSE Short-Circuit Protection	$V_{SENSE}<0.15V$ , $R_I=24K\Omega$	100	180	240	$\mu s$
<b>OFYB-GATE Driver</b>						
$V_{OFYB-CLAMP}$	Flyback PWM Gate Output Clamping Voltage	$V_{DD}=22V$		16	18	V
$V_{OL-OFYB}$	Output Voltage Low	$V_{DD}=15V$ ; $I_O=20mA$			1.5	V
$V_{OH-OFYB}$	Output Voltage High	$V_{DD}=12V$ ; $I_O=20mA$	8			V
$t_{R-OFYB}$	Rising Time	$V_{DD}=15V$ ; Gate=1nF; Gate=2~9V	30	60	120	ns
$t_{F-OFYB}$	Falling Time	$V_{DD}=15V$ ; Gate=1nF; Gate=9~2V	30	50	90	ns
DCY <sub>MAX-OFYB</sub>	Maximum Duty Cycle		60	65	70	%



## Electrical Characteristics

V<sub>DD</sub>=18V; R<sub>I</sub>=24kΩ; T<sub>A</sub> =25°C, unless noted.

Symbol	Parameter	Conditions	Min.	Typ.	Max.	Units
<b>Forward PWM Stage</b>						
<b>FBPWM-Feedback Input</b>						
A <sub>V</sub>	FB to Current Comparator Attenuation		1/3.2	1/2.7	1/2.2	V/V
Z <sub>FB</sub>	Input Impedance		4	5	7	kΩ
V <sub>HGH</sub>	Output High Voltage	FB Pin Open	5.0	5.2		V
V <sub>OPEN-PWM</sub>	PWM Open-Loop Protection Voltage		4.2	4.5	4.8	V
t <sub>OPEN-PWM-HICCUP</sub>	Interval of PWM Open-Loop Protection Reset	R <sub>I</sub> =24kΩ	500	600	700	ms
t <sub>OPEN-PWM</sub>	PWM Open-Loop Protection Delay Time	R <sub>I</sub> =24kΩ	80	95	120	ms
V <sub>OZ-OPWM</sub>	V <sub>FBPWM</sub> for Zero Duty Cycle		1.2	1.3	1.4	V
<b>IPWM-Current Sense</b>						
t <sub>PD</sub>	Propagation Delay to Output – V <sub>LIMIT</sub> Loop	V <sub>DD</sub> =15V, OPWM Drops to 9V	60		120	ns
V <sub>LIMIT1</sub>	Peak Current Limit Threshold Voltage 1	V <sub>RMS</sub> =1V	0.75	0.80	0.85	V
V <sub>LIMIT2</sub>	Peak Current Limit Threshold Voltage 2	V <sub>RMS</sub> =1.5V		V <sub>LIMIT1</sub> -0.1		V
t <sub>BNK</sub>	Leading-Edge Blanking Time		270	350	450	ns
ΔV <sub>SLOPE</sub>	Slope Compensation ΔV <sub>s</sub> =ΔV <sub>SLOPE</sub> × (t <sub>on</sub> /t) ΔV <sub>s</sub> : Compensation Voltage Added to Current Sense		0.40	0.45	0.55	V
<b>OPWM-GATE Driver</b>						
V <sub>OPWM-CLAMP</sub>	Output Voltage Maximum (Clamp)	V <sub>DD</sub> =22V		16	18	V
V <sub>OL</sub>	Output Voltage Low	V <sub>DD</sub> =15V; I <sub>O</sub> =100mA			1.5	V
V <sub>OH</sub>	Output Voltage High	V <sub>DD</sub> =13V; I <sub>O</sub> =100mA	8			V
t <sub>R</sub>	Rising Time	V <sub>DD</sub> =15V; C <sub>L</sub> =5nF; O/P=2V to 9V	30	60	120	ns
t <sub>F</sub>	Falling Time	V <sub>DD</sub> =15V; C <sub>L</sub> =5nF; O/P=9V to 2V	30	50	110	ns
DCY <sub>MAX-OPWM</sub>	FAN6791 Maximum Duty Cycle	R <sub>I</sub> =24kΩ	47	48	49	%
	FAN6793 Maximum Duty Cycle		60	65	70	
<b>Soft Start</b>						
I <sub>SS</sub>	Constant Current Output for Soft-Start	R <sub>I</sub> =24kΩ	17	20	23	μA
R <sub>D</sub>	Discharge Resistance			470	564	Ω

### Notes:

- When activated, the output is disabled and the latch is turned off.
- This is the threshold temperature for enabling the output again and resetting the latch after over-temperature protection has been activated.

## Typical Characteristics

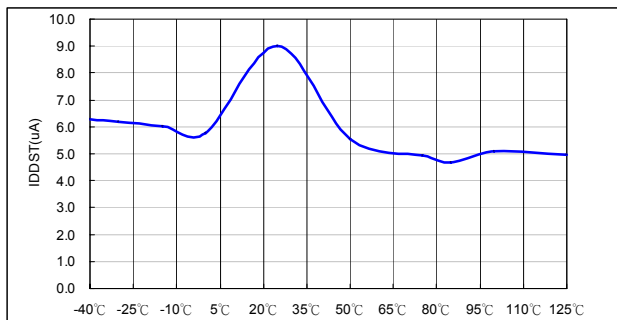


Figure 5. Startup Current  $I_{DD-ST}$  vs. Temperature

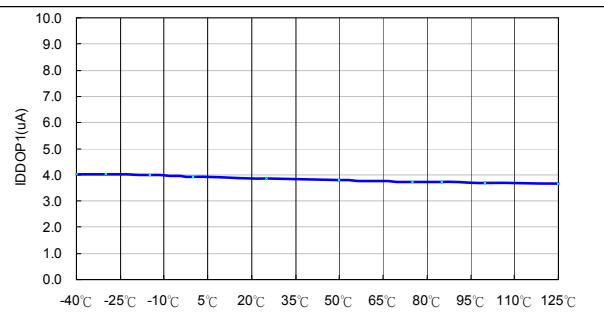


Figure 6.  $I_{DD-OP1}$  vs. Temperature

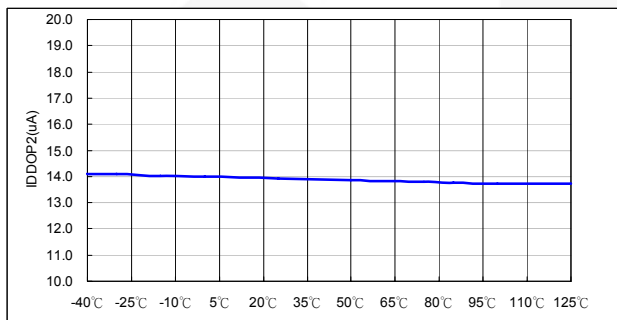


Figure 7.  $I_{DD-OP2}$  vs. Temperature

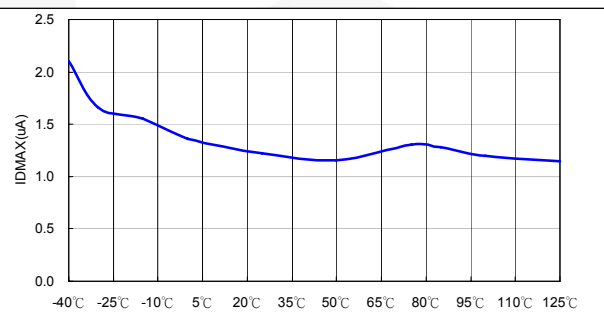


Figure 8.  $I_{D-MAX}$  vs. Temperature

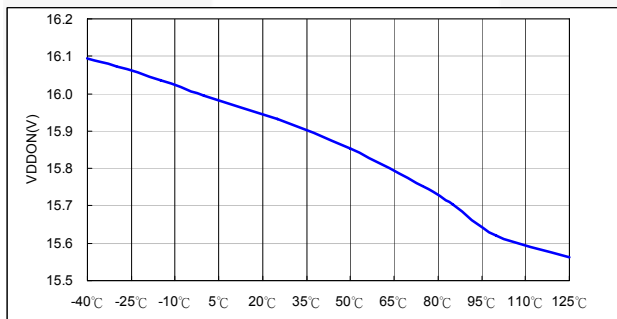


Figure 9.  $V_{DD-ON}$  vs. Temperature

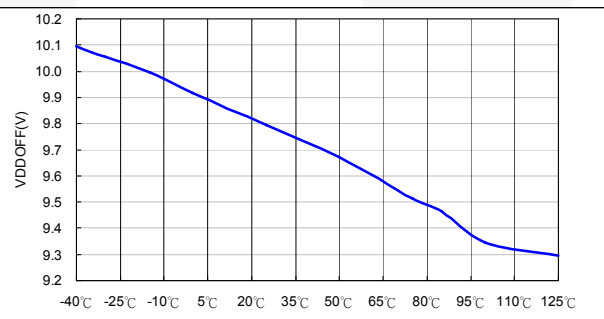


Figure 10.  $V_{DD-OFF}$  vs. Temperature

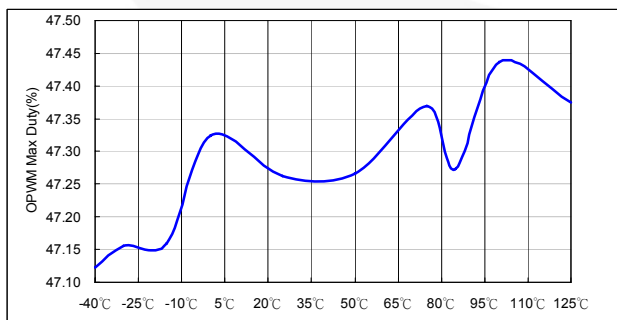


Figure 11. OPWM Maximum Duty Cycle vs. Temperature

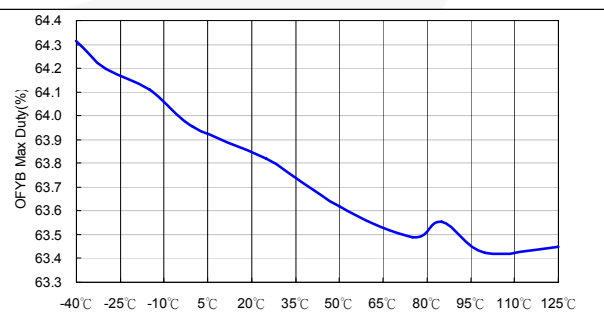


Figure 12. OFYB Maximum Duty Cycle vs. Temperature

## Typical Characteristics

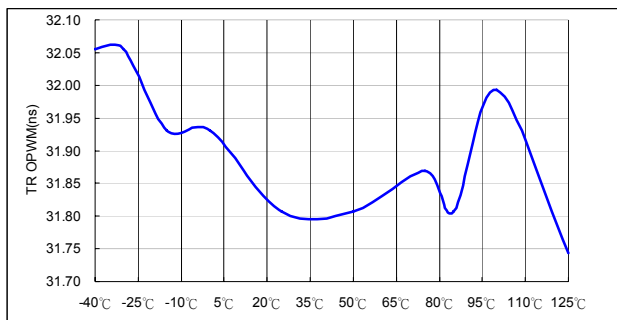


Figure 13. Rising Time  $t_{R-OPWM}$  vs. Temperature

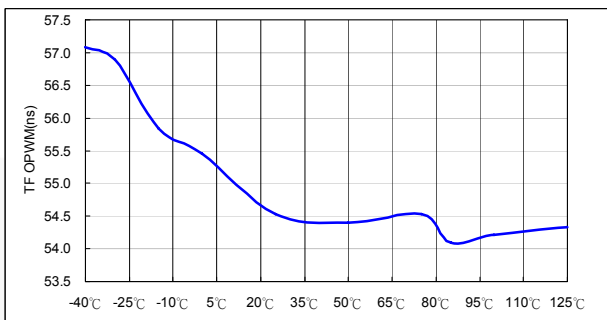


Figure 14. Falling Time  $t_{F-OPWM}$  vs. Temperature

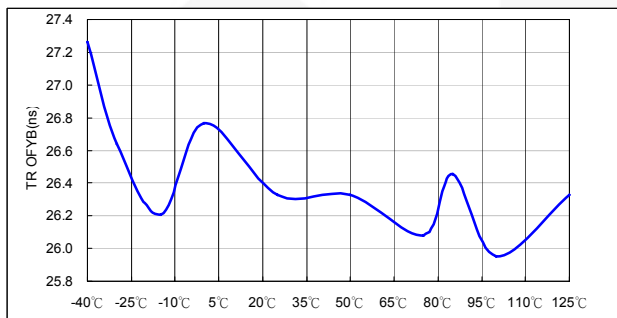


Figure 15. Rising Time  $t_{R-OFYB}$  vs. Temperature

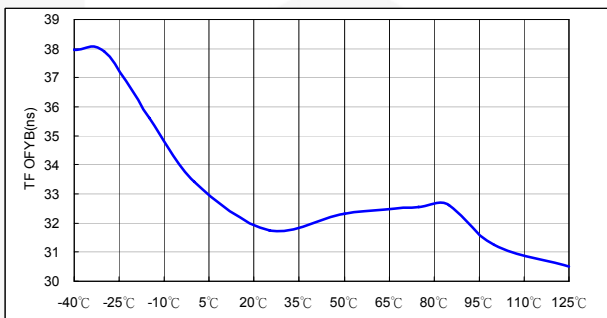


Figure 16. Falling Time  $t_{F-OFYB}$  vs. Temperature

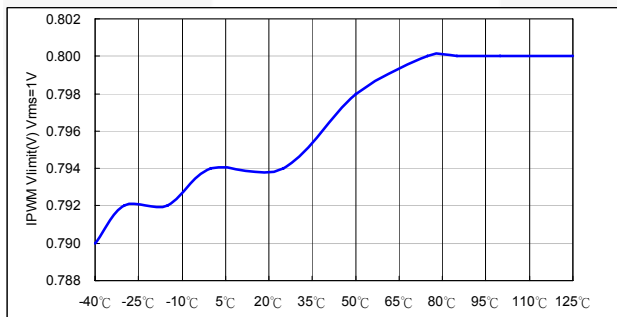


Figure 17.  $I_{PWM-VLIMIT}$  ( $V_{RMS}=1V$ ) vs. Temperature

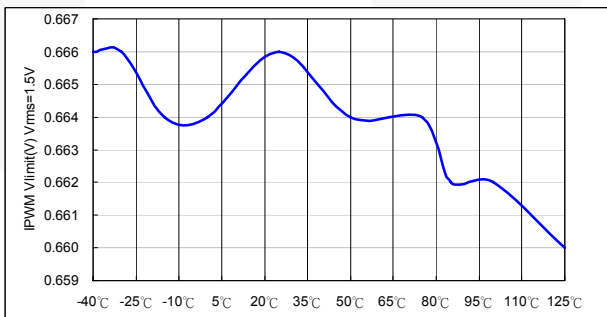


Figure 18.  $I_{PWM-VLIMIT}$  ( $V_{RMS}=1.5V$ ) vs. Temperature

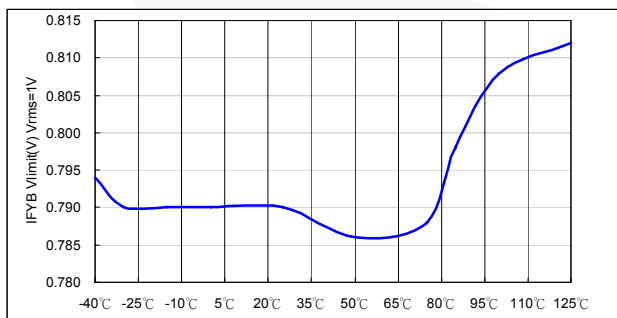


Figure 19.  $I_{FYB-VLIMIT}$  ( $V_{RMS}=1V$ ) vs. Temperature

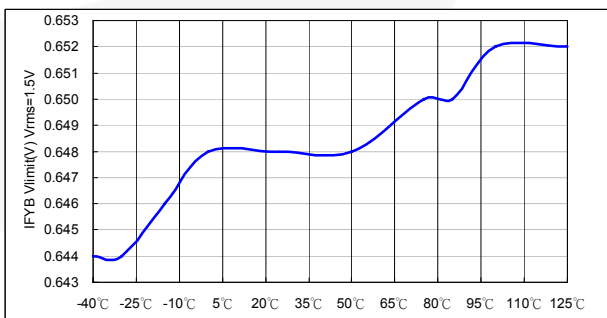


Figure 20.  $I_{FYB-VLIMIT}$  ( $V_{RMS}=1.5V$ ) vs. Temperature

## Typical Characteristics

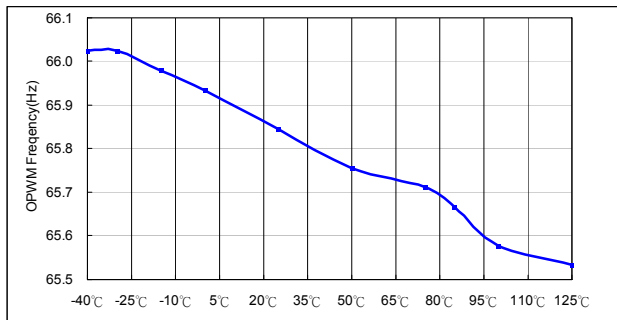


Figure 21. OPWM Frequency vs. Temperature

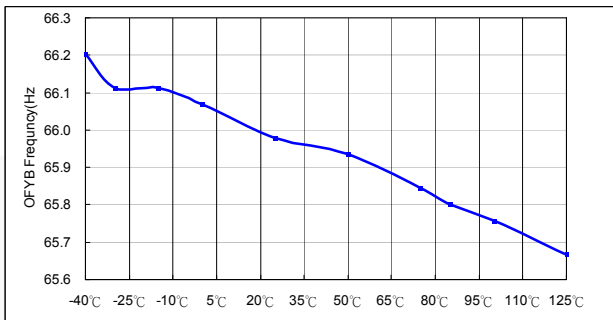


Figure 22. OFYB Frequency vs. Temperature

## Functional Description

The highly integrated FAN6791 / FAN6793 dual-PWM combination controller provides several features to enhance the performance of converters.

Proprietary interleave switching synchronizes the flyback and forward PWM stages. This reduces switching noise.

The proprietary frequency jittering function for the flyback and forward PWM stages helps reduce switching EMI emissions.

For the flyback and forward PWM, the synchronized slope compensation ensures the stability of the current loop under continuous-mode operation. In addition, FAN6791/3 provides complete protection functions, such as brownout protection and RI open/short.

### Startup Current

For startup, the HV pin is connected to the line input or bulk capacitor through external resistor RHV, recommended as 100KΩ. Typical startup current drawn from pin HV is 2mA and it charges the hold-up capacitor through the resistor RHV. When the V<sub>DD</sub> capacitor level reaches V<sub>DD-ON</sub>, the startup current switches off. At this moment, the V<sub>DD</sub> capacitor only supplies the FAN6791/3 to maintain the V<sub>DD</sub> before the auxiliary winding of the main transformer provides the operating current.

### Oscillator Operation

A resistor connected from the RI pin to the GND pin generates a constant current source for the FAN6791/3 controller. This current is used to determine the center PWM frequency. Increasing the resistance reduces PWM frequency. Using a 24KΩ resistor results in a corresponding 65kHz PWM frequency. The switching frequency is programmed by the resistor R<sub>i</sub> connected between RI pin and GND. The relationship is:

$$f_{\text{PWM}} = \frac{1560}{R_i(\text{k}\Omega)} \text{ (kHz)} \quad (1)$$

The range of the PWM oscillation frequency is designed as 33KHz ~ 130KHz. FAN6791/3 integrates frequency hopping function internally. The frequency variation ranges from around 61KHz to 69KHz for a center frequency 65KHz. The frequency hopping function helps reduce EMI emission of a power supply with minimum line filters.

For power saving, flyback PWM stage has a green mode function. Frequency linearly decreases when V<sub>FB</sub> is within V<sub>G</sub> and V<sub>N</sub>. Once V<sub>FB</sub> is lower than V<sub>G</sub>, switching frequency disables, and it enters burst mode.

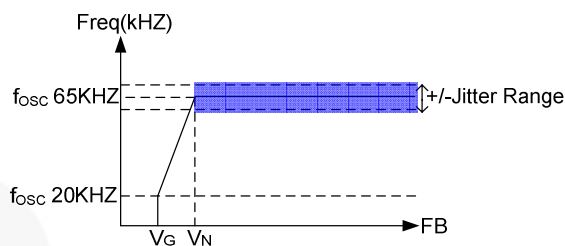


Figure 23. Oscillation Frequency in Green Mode

### Line Voltage Detection (V<sub>RMS</sub>)

Figure 24 shows a resistive divider with low-pass filtering for line-voltage detection on VRMS pin. The V<sub>RMS</sub> voltage is used for the PFC multiplier and brownout protection. For brownout protection, when the V<sub>RMS</sub> voltage drops below 0.8V, OPFC turns off.

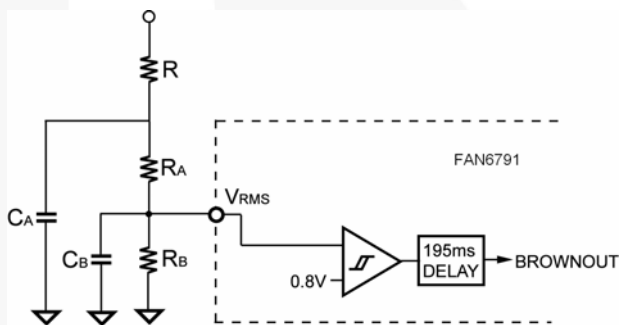


Figure 24. Line-Voltage Detection on VRMS Pin

### Remote On/Off

Figure 25 shows the remote on / off function. When the supervisor FPO pin pulls down and enables the system by connecting an opto-coupler, V<sub>REF</sub> applies to the ON/OFF pin to enable forward PWM stage.

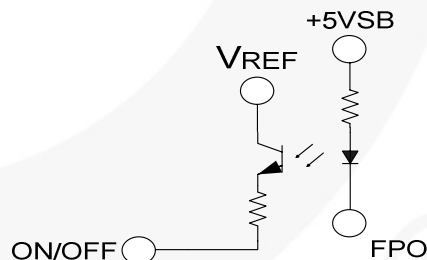


Figure 25. Remote On/Off

### Interleave Switching

The FAN6791/3 uses interleaved switching to synchronize the stand-by PWM / forward PWM stages. This reduces switching noise and spreads the EMI emissions. Figure 26 shows that an off-time  $t_{OFF}$  is inserted in between the turn-off of the stand-by gate drives and the turn-on of the forward PWM.

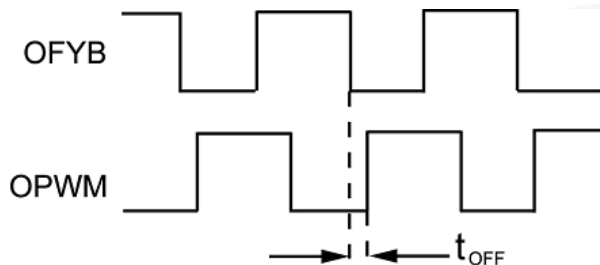


Figure 26. Interleaved Switching

### Slope Compensation

The stand-by PWM and forward PWM stage are designed for flyback and forward power converters. Peak-current-mode control is used to optimize system performance. Slope compensation is added to stabilize the current loop. The FAN6791/3 inserts a synchronized, positively sloped ramp at each switching cycle. The positively sloped ramp is represented by the voltage signal  $V_{s-comp}$  in Figure 27.

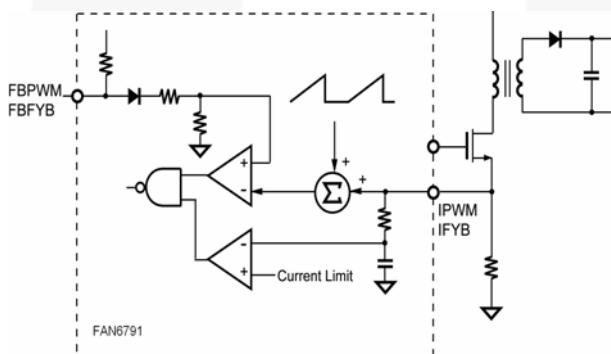


Figure 27. Slope Compensation

### Gate Drivers

FAN6791/3 output stages are fast totem-pole gate drivers. The output driver is clamped by an internal 18V Zener diode to protect the power MOSFET.

### Constant Power Control

To limit the output power of the converter constantly, a power-limit function is included. Sensing the converter input voltage through the VRMS pin, the power limit function generates a relative peak-current-limit threshold voltage for constant power control, as shown in Figure 28.

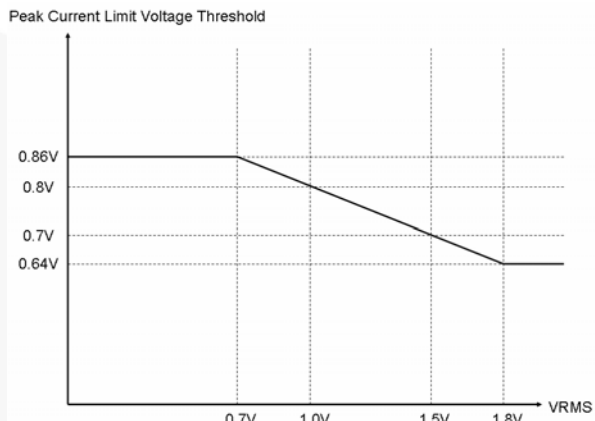


Figure 28. Constant Power Control

### Protections

The FAN6791/3 provides full protection functions to prevent the power supply and the load from being damaged. The protection features include:

***V<sub>DD</sub> Over-Voltage Protection.*** The stand-by PWM and forward PWM stages will be disabled whenever the VDD voltage exceeds the over-voltage threshold.

***AC Under-Voltage Protection.*** The VRMS pin is used to detect the AC input voltage. When voltage is lower than the brownout threshold, voltage disables both forward and stand-by PWM.

***RI Pin Open / Short Protection.*** The RI pin is used to set the switching frequency and internal current reference. The stand-by PWM and forward PWM stages are disabled whenever the RI pin is short or open.

***Open-Loop Protection.*** The stand-by PWM and forward PWM stages of FAN6791/3 is disabled whenever the FBFYB / FBPWM pin is open.



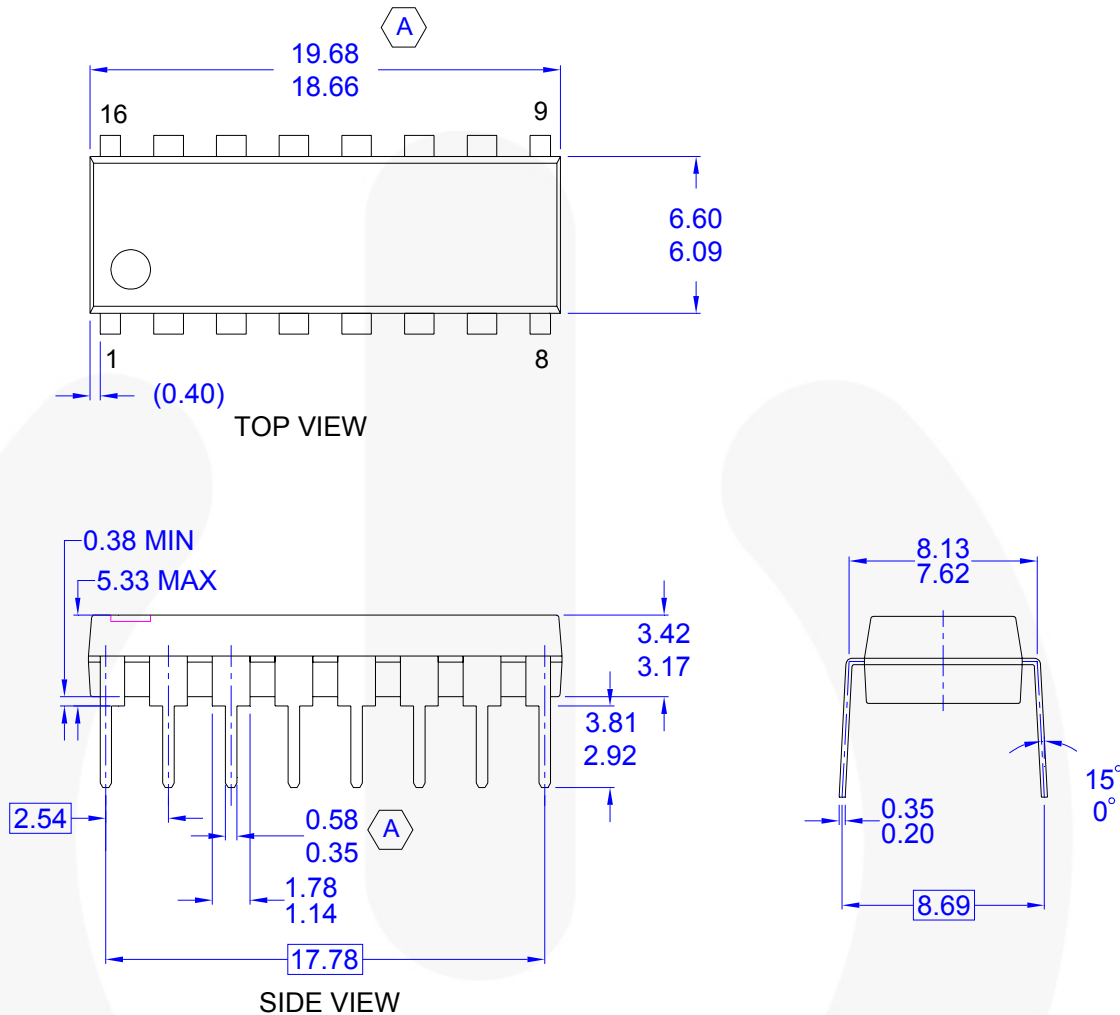


## BOM List

Reference	Component	Reference	Component
C1	C/0.47 $\mu$ F/X2	R18	R/100 1/8W
C2	C/0.47 $\mu$ F/X2	R20	R/1/1W
C3	C/471P/50V	R21	R/1 1/8W
C4	C/471P/50V	R22	R/402 1/8W
C5	C/102P/50V	R23	R/47K 3W
C6	C/102P/50V	R24	R/10K 1/8W
C7	C/102P/50V	R26	R/2K 1/8W
C8	C/472/400V	R29	R/470 1/8W
C9	C/472/400V	R31	R/0.1/2W
C10	C/102P/50V	R35	R/N.A 1/4W
C11	C/10 $\mu$ F/50V	R37	R/20K 1% 1/8W
C12	C/104P/50V	R38	R/20K 1% 1/8W
C20	C/102P/1KV	Q1	2N/60
C21	C/470 $\mu$ F/200V	Q2	9N90
C22	C/470 $\mu$ F/200V	Z3	7D271
C23	C/103P/1KV	Z2	7D271
C24	C/1000 $\mu$ F/10V	Z1	7D561
C25	C/330 $\mu$ F/10V	D1	D/1N4007
C28	C/103P/50V	D2	D/UF107
R1	R/680K 1/4W NC	D3	D/SB540
R2	R/680K 1/4W	D4	D/UF1007
R3	R/51.1K 1/4W	BD1	D/6A/600V
R4	R/51.1K 1/4W	U1	SG6791/3
R5	R/2.4M 1/4W	U2	PC-817
R6	R/2.4M 1/4W	U3	TL431
R7	R/24K 1/8W	U6	PC-817
R8	R/1K 1/8W		
R9	R/19.1K 1/8W		
R10	R/1K 1/8W		
R13	R/100K 1/2W		
R14	R/10 1/8W		
R15	R/10 1/8W		
R17	R/100 1/8W		



## Physical Dimension



NOTES: UNLESS OTHERWISE SPECIFIED

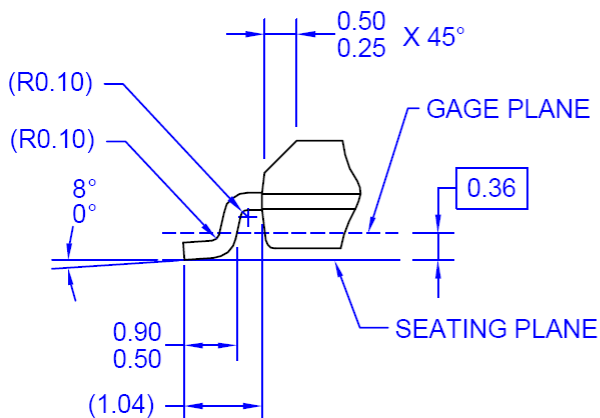
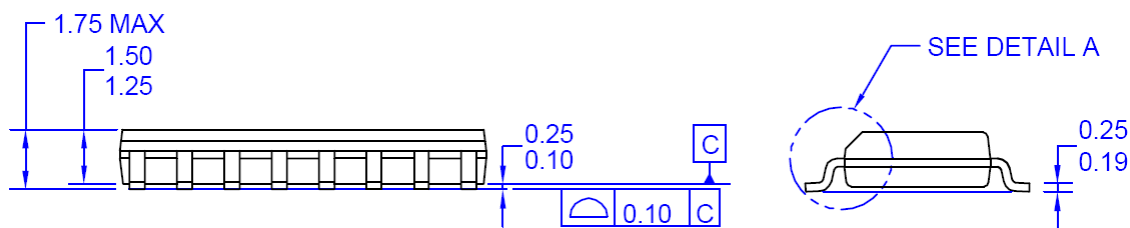
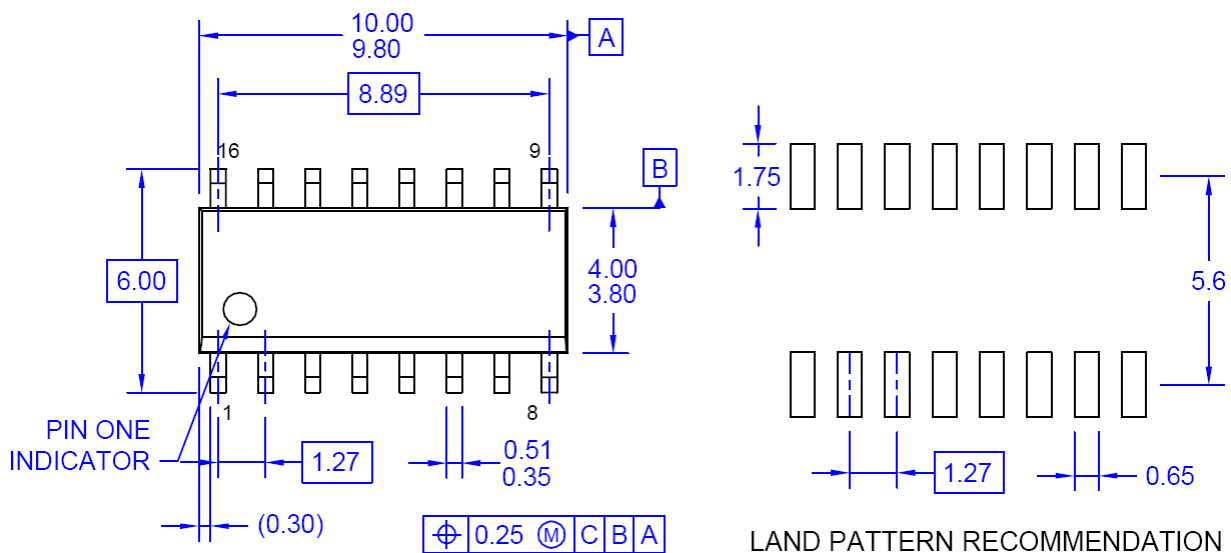
- A) THIS PACKAGE CONFORMS TO JEDEC MS-001 VARIATION BB
- B) ALL DIMENSIONS ARE IN MILLIMETERS.
- C) DIMENSIONS ARE EXCLUSIVE OF BURRS, MOLD FLASH, AND TIE BAR PROTRUSIONS
- D) CONFORMS TO ASME Y14.5M-1994
- E) DRAWING FILE NAME: N16EREV1

**Figure 30. 16-pin Dual In-Line Package (DIP)**

Package drawings are provided as a service to customers considering Fairchild components. Drawings may change in any manner without notice. Please note the revision and/or date on the drawing and contact a Fairchild Semiconductor representative to verify or obtain the most recent revision. Package specifications do not expand the terms of Fairchild's worldwide terms and conditions, specifically the warranty therein, which covers Fairchild products.

Always visit Fairchild Semiconductor's online packaging area for the most recent package drawings:  
<http://www.fairchildsemi.com/packaging/>

### Physical Dimensions (Continued)



NOTES: UNLESS OTHERWISE SPECIFIED

- A) THIS PACKAGE CONFORMS TO JEDEC MS-012, VARIATION AC, ISSUE C.
- B) ALL DIMENSIONS ARE IN MILLIMETERS.
- C) DIMENSIONS ARE EXCLUSIVE OF BURRS, MOLD FLASH AND TIE BAR PROTRUSIONS
- D) CONFORMS TO ASME Y14.5M-1994
- E) LANDPATTERN STANDARD: SOIC127P600X175-16AM
- F) DRAWING FILE NAME: M16AREV12.

#### DETAIL A

SCALE: 2:1

**Figure 31. 16-Pin Small Outline Package (SOIC)**






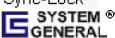
Package drawings are provided as a service to customers considering Fairchild components. Drawings may change in any manner without notice. Please note the revision and/or date on the drawing and contact a Fairchild Semiconductor representative to verify or obtain the most recent revision. Package specifications do not expand the terms of Fairchild's worldwide terms and conditions, specifically the warranty therein, which covers Fairchild products.

Always visit Fairchild Semiconductor's online packaging area for the most recent package drawings:  
<http://www.fairchildsemi.com/packaging/>



**TRADEMARKS**

The following includes registered and unregistered trademarks and service marks, owned by Fairchild Semiconductor and/or its global subsidiaries, and is not intended to be an exhaustive list of all such trademarks.

- |   |   |   |   |
|---|---|---|---|
| Auto-SPM™   | F-PFST™   | PowerTrench®  | The Power Franchise®  |
| Build it Now™   | FRFET®  | PowerXS™  | <b>the power franchise</b>  |
| CorePLUS™   | Global Power Resource™  | Programmable Active Droop™  | TinyBoost™  |
| CorePOWER™  | Green FPST™   | QFET®   | TinyBuck™   |
| CROSSVOLT™  | Green FPST™ e-Series™   | QS™   | TinyLogic®  |
| CTL™  | Gmax™   | Quiet Series™   | TINYOPTO™   |
| Current Transfer Logic™   | GTO™  | RapidConfigure™   | TinyPower™  |
| EcoSPARK®   | IntelliMAX™   |  ™ | TinyPWM™  |
| EfficientMax™   | ISOPLANAR™  | Saving our world, 1mW/W/kW at a time™   | TinyWire™   |
| EZSWITCH™   | MegaBuck™   | SmartMax™   | TriFault Detect™  |
|  ™ | MICROCOUPLER™   | SMART START™  | TRUECURRENT™  |
|  ™ | MicroFET™   | SPM®  | µSerDes™  |
| Fairchild®  | MicroPak™   | STEALTH™  |  ™ |
| Fairchild Semiconductor®  | MillerDrive™  | SuperFET™   | UHC®  |
| FACT Quiet Series™  | MotionMax™  | SuperSOT™.3   | Ultra FRFET™  |
| FACT®   | Motion-SPM™   | SuperSOT™.6   | UniFET™   |
| FAST®   | OPTOLOGIC®  | SuperSOT™.8   | VCC™  |
| FastvCore™  | OPTOPLANAR®   | SupreMOS™   | VisualMax™  |
| FETBench™   |  ™ | SyncFET™  | XST™  |
| FlashWriter®  | PDP SPM™  | Sync-Lock™  |   |
| FPST™   | Power-SPM™  |  ™ |   |

\* Trademarks of System General Corporation, used under license by Fairchild Semiconductor.

**DISCLAIMER**

FAIRCHILD SEMICONDUCTOR RESERVES THE RIGHT TO MAKE CHANGES WITHOUT FURTHER NOTICE TO ANY PRODUCTS HEREIN TO IMPROVE RELIABILITY, FUNCTION, OR DESIGN. FAIRCHILD DOES NOT ASSUME ANY LIABILITY ARISING OUT OF THE APPLICATION OR USE OF ANY PRODUCT OR CIRCUIT DESCRIBED HEREIN; NEITHER DOES IT CONVEY ANY LICENSE UNDER ITS PATENT RIGHTS, NOR THE RIGHTS OF OTHERS. THESE SPECIFICATIONS DO NOT EXPAND THE TERMS OF FAIRCHILD'S WORLDWIDE TERMS AND CONDITIONS, SPECIFICALLY THE WARRANTY THEREIN, WHICH COVERS THESE PRODUCTS.

**LIFE SUPPORT POLICY**

FAIRCHILD'S PRODUCTS ARE NOT AUTHORIZED FOR USE AS CRITICAL COMPONENTS IN LIFE SUPPORT DEVICES OR SYSTEMS WITHOUT THE EXPRESS WRITTEN APPROVAL OF FAIRCHILD SEMICONDUCTOR CORPORATION.

As used herein:

1. Life support devices or systems are devices or systems which, (a) are intended for surgical implant into the body or (b) support or sustain life, and (c) whose failure to perform when properly used in accordance with instructions for use provided in the labeling, can be reasonably expected to result in a significant injury of the user.
2. A critical component in any component of a life support, device, or system whose failure to perform can be reasonably expected to cause the failure of the life support device or system, or to affect its safety or effectiveness.

**ANTI-COUNTERFEITING POLICY**

Fairchild Semiconductor Corporation's Anti-Counterfeiting Policy. Fairchild's Anti-Counterfeiting Policy is also stated on our external website, [www.fairchildsemi.com](http://www.fairchildsemi.com), under Sales Support.

Counterfeiting of semiconductor parts is a growing problem in the industry. All manufacturers of semiconductor products are experiencing counterfeiting of their parts. Customers who inadvertently purchase counterfeit parts experience many problems such as loss of brand reputation, substandard performance, failed applications, and increased cost of production and manufacturing delays. Fairchild is taking strong measures to protect ourselves and our customers from the proliferation of counterfeit parts. Fairchild strongly encourages customers to purchase Fairchild parts either directly from Fairchild or from Authorized Fairchild Distributors who are listed by country on our web page cited above. Products customers buy either from Fairchild directly or from Authorized Fairchild Distributors are genuine parts, have full traceability, meet Fairchild's quality standards for handling and storage and provide access to Fairchild's full range of up-to-date technical and product information. Fairchild and our Authorized Distributors will stand behind all warranties and will appropriately address any warranty issues that may arise. Fairchild will not provide any warranty coverage or other assistance for parts bought from Unauthorized Sources. Fairchild is committed to combat this global problem and encourage our customers to do their part in stopping this practice by buying direct or from authorized distributors.

**PRODUCT STATUS DEFINITIONS**

**Definition of Terms**

Datasheet Identification	Product Status	Definition
Advance Information	Formative / In Design	Datasheet contains the design specifications for product development. Specifications may change in any manner without notice.
Preliminary	First Production	Datasheet contains preliminary data; supplementary data will be published at a later date. Fairchild Semiconductor reserves the right to make changes at any time without notice to improve design.
No Identification Needed	Full Production	Datasheet contains final specifications. Fairchild Semiconductor reserves the right to make changes at any time without notice to improve the design.
Obsolete	Not In Production	Datasheet contains specifications on a product that is discontinued by Fairchild Semiconductor. The datasheet is for reference information only.

Rev. I40