

DC-AC INVERTER UNIT

PS-DA0602-057-B(S) (28.5 W SEXTUPLE OUTPUTS)

(PRELIMINARY INFORMATION)

DESCRIPTION :

This low profile DC to AC Inverter is developed for sextuple lamps.

Optimized for Sharp: LQ190E1LW41

APPLICABLE LCD:

- 6.4 to 15 inches sextuple lamp type
- Lamp Voltage 750 Vrms
- Lamp Current 6 x 7.5 mArms
- Lamp Start Up Voltage 1.700 Vrms (Vin : 12 Vdc)



Cable lengths 50 mm

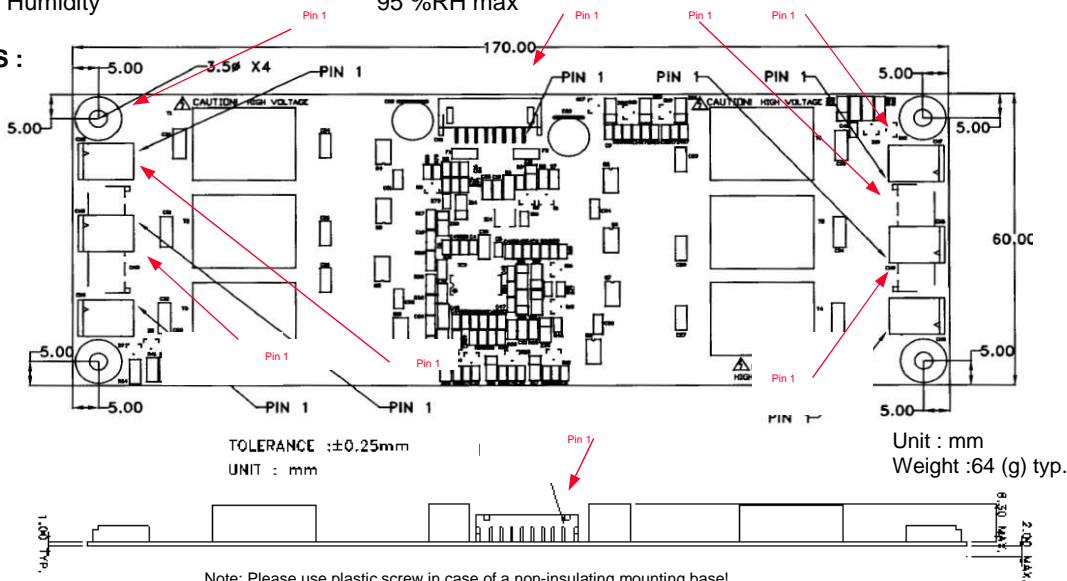
FEATURES :

- Remote ON/OFF
- Open Lamp Detection
- RoHS compliant (S)
- Optimized for max. brightness

TEMPERATURE & HUMIDITY :

- Operating Temperature Range 0°C ~ +50°C
- Storage Temperature Range -20°C ~ +85°C
- Humidity 95 %RH max

DIMENSIONS :



Components

No.	Part Description	Qty.	Material	Note
1	PCB	1	UL94V-0 (FR-4 or CEM-3)	t=1mm
2	Connector CN1	1	S8B-PH-SM3-TB	JST or equal
3	Connector CN2 ~ CN7	6	Ausgangskabel Nr.14 50mm	Power Systems

Input side CN1:

Pin No.	Symbols	Rated
CN 1-1+2+3	Vin	12 Vdc
CN 1-4+5+6	GND	
CN 1-7	Vbr	0 ~ 5 Vdc
CN 1-8	Vrmt	0 ~ 1.5 = OFF / 2.5 ~ Vin = ON

Output side CN2 ~ CN7

Pin No.	Symbols	Rated
CN 2-1	VHIGH2	750 Vrms (7.5 mArms)
CN 2-2	N.C.	-
CN 2-3	VLOW	(GND)

Power Systems – The Power Solution

Web: www.Power-Systems.de
Email: Info@Power-Systems.de

Address: Hauptstr. 48 ; 74360 Ilsfeld-Auenstein / Germany
Tel. : + 49 / 70 62 / 67 59 - 6
Fax: + 49 / 70 62 / 67 59 - 800

DC-AC INVERTER UNIT

PS-DA0602-057-B(S) (28.5 W SEXTUPLE OUTPUTS)

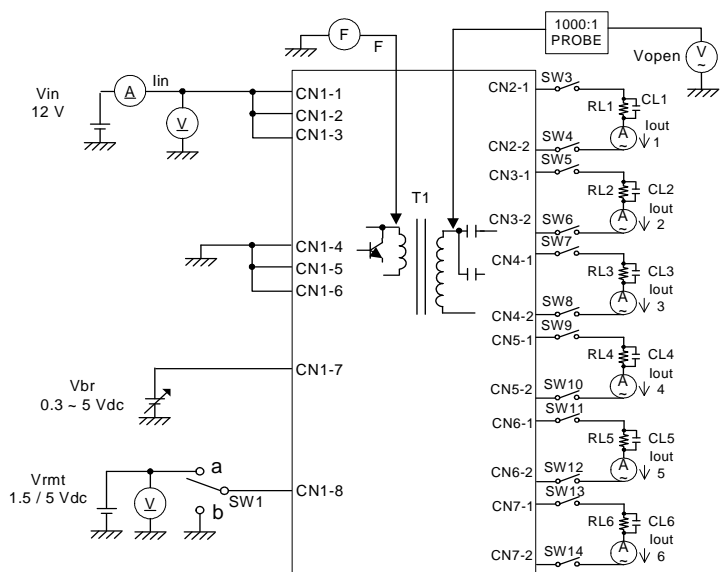
(PRELIMINARY INFORMATION)

ELECTRICAL CHARACTERISTICS :

Parameters	Symbols	Conditions			Specification			Unit	Note
		V _{in} (V)	V _{rmt} (V)	T _u (°C)	Min.	Typ.	Max.		
Output Current	I _{out}	12±1.2	5±0.25	0 ~ +50	7.0	7.5	8.0	mArms	V _{in} = 12 Vdc V _{dim} = 0 V Duty = 100%
Output Current	I _{out}	12±0.6	5±0.25	0 ~ +50	-	30	-	%	V _{dim} = 5.0 V
Input Current	I _{in}	12±1.2	5±0.25	0 ~ +50	-	2.35	3.05	Adc	
Frequency	F	12±1.2	5±0.25	0 ~ +50	50	53	57	kHz	
Open Circuit Voltage	V _{open}	11.4	5±0.25	0 ~ +50	1.650	1.700	2.000	Vrms	
No load Shutdown	T _{sd}	12±1.2	5±0.25	0 ~ +50	1.0	-	-	sec	without load

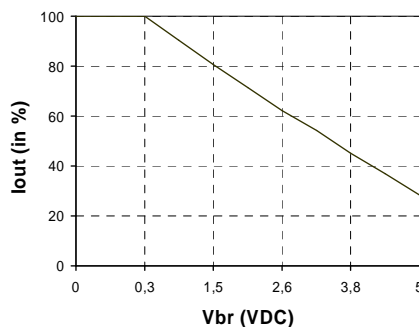
- Note 1 : Please keep minimum of 2mm clearance (all directions) between inverter high voltage area as marked on mechanical drawing and any conductors.
- Note 2.: This inverter could be assembled for the LG: LM190E05 as well. The PCB is designed for both connector sets. The model no. will be set up after the tests.

TEST CIRCUIT :



SW1	Operation of unit
a	Operation
b	Non operation

Dimming Characteristic:



Power Systems – The Power Solution

Web: www.Power-Systems.de
 Email: Info@Power-Systems.de

Address: Hauptstr. 48 ; 74360 Ilsfeld-Auenstein / Germany
 Tel. : + 49 / 70 62 / 67 59 - 6
 Fax: + 49 / 70 62 / 67 59 - 800