



## SW6120(6V12AH)



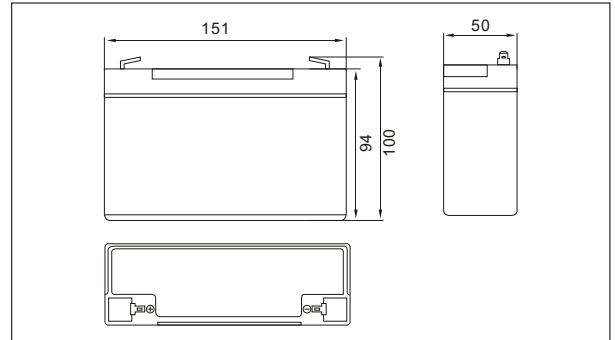
### Specifications

Nominal Voltage		6 V
Rated capacity (20hour rate)		12 Ah
Dimensions	Total Height	100 mm(3.94 inches)
	Height	94 mm(3.70 inches)
	Length	151 mm(5.94 inches)
	Width	50 mm(1.97 inches)
Weight Approx		1.85 Kg(4.07 lbs)

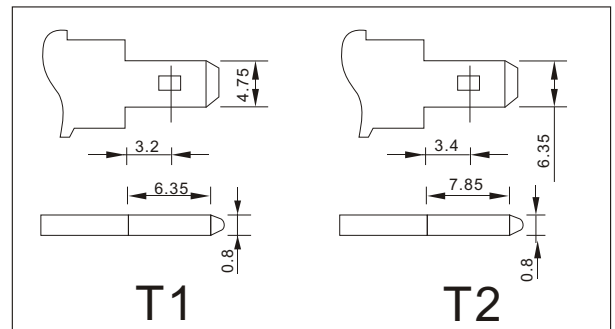
### Characteristics

Capacity 25°C(77°F)	20 hour rate(0.60A)	12.0 AH
	10 hour rate(1.10A)	11.0 AH
	5 hour rate(2.04A)	10.2 AH
	1 hour rate(7.20A)	7.20 AH
	1.5 hour discharge to 5.25 V	4.8 A
Internal Resistance	Full charged Battery at 25°C(77°F)	10 mΩ
Capacity affected by Temperature (20hour rate)	40°C(104°F)	102%
	25°C(77°F)	100%
	0°C(32°F)	85%
	-15°C(5°F)	65%
Self-Discharge at 25°C(77°F)	Capacity after 3 month storage	91%
	Capacity after 6 month storage	82%
	Capacity after 12 month storage	64%
Terminal	T1 or T2	
Charge (constant Voltage)	Cycle	Initial Charging Current less than 4.8A Voltage 7.20-7.35V
	Float	Voltage 6.75-6.90V

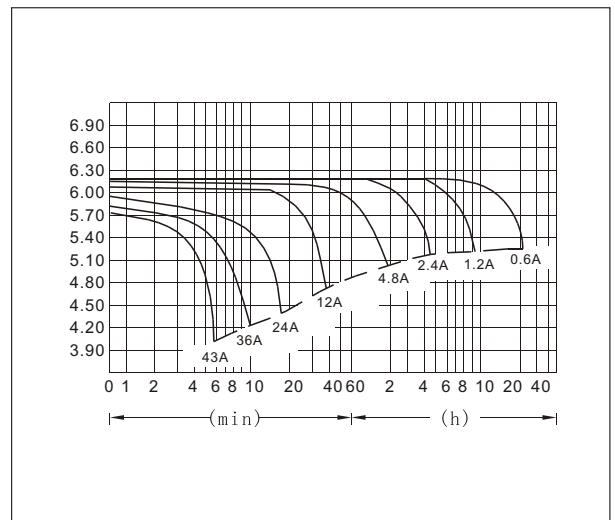
### Outer dimensions (mm)



### Terminal Type (mm)



### Discharge Curves 25°C(77°F)



Constant Current(Amp) and Constant Power(Watt) Discharge Table at 25°C(77°F)

Time		5min	10min	15min	30min	1h	2h	3h	4h	5h	8h	10h	20h
4.80V	A	43.2	28.3	21.0	13.8	7.2	4.20	3.09	2.48	2.11	1.39	1.13	0.62
	W	224	152	113	74.3	39.0	23.1	17.20	13.95	11.98	7.98	6.55	3.60
5.10V	A	39.6	27.1	19.3	13.1	6.8	4.03	3.00	2.40	2.06	1.37	1.12	0.61
	W	213	152	108	73.5	38.3	23.2	17.38	13.95	12.03	7.98	6.55	3.55
5.25V	A	36.1	25.3	18.0	12.7	6.5	3.95	2.95	2.28	2.06	1.35	1.10	0.60
	W	198	144	103	73.0	37.8	22.9	17.18	13.35	11.95	7.95	6.53	3.55
5.40V	A	34.6	24.2	16.8	12.4	6.3	3.85	2.90	2.24	1.95	1.31	1.07	0.59
	W	194	140	97	71.5	36.8	22.6	17.10	13.23	11.53	7.80	6.40	3.48
5.55V	A	32.0	22.8	15.6	12.0	6.1	3.75	2.75	2.20	1.87	1.28	1.05	0.57
	W	182	132	91	70.3	35.8	22.2	16.33	13.10	11.13	7.68	6.35	3.45