

Series USB-A

Universal Serial Bus, Type A - 90° Receptacle (SMT)

Specifications

Insulation Resistance:	1000MΩ min.
Current Rating:	1A
Voltage Rating:	30V AC (rms)
Withstanding Voltage:	500V AC
Contact Resistance:	30mΩ max.
Operating Temperature Range:	-55°C to +85°C

Part Numbers

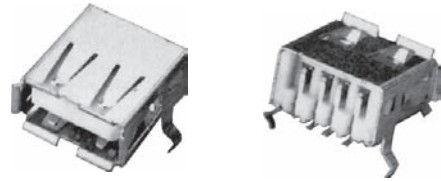
USB-A-003

*USB-A-003-30

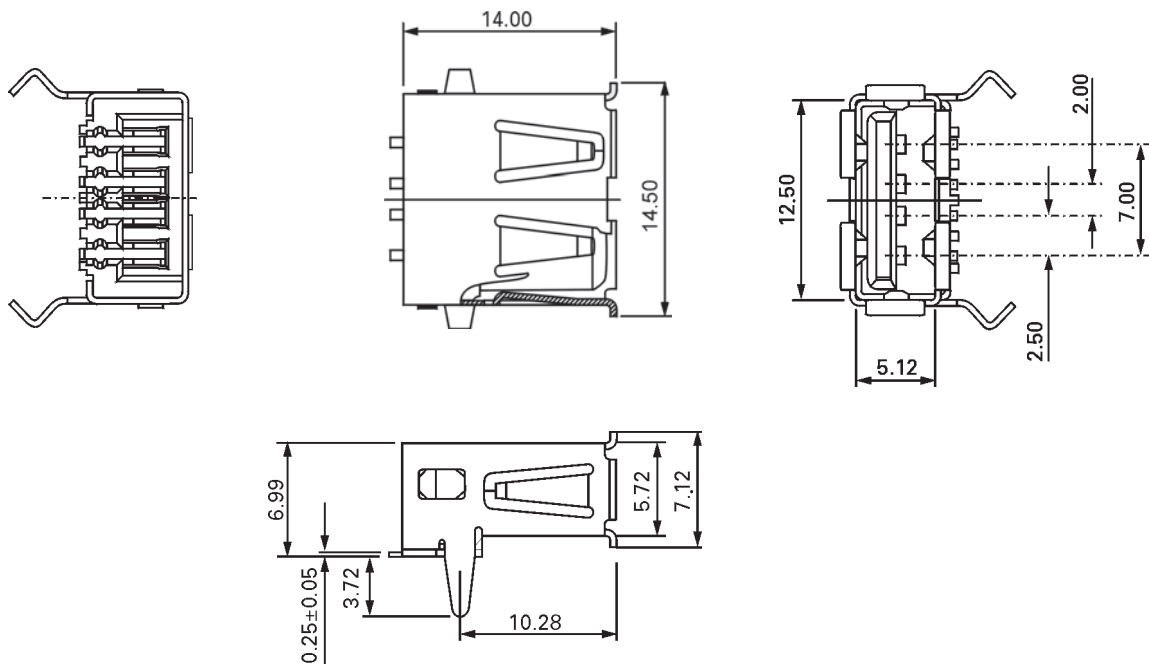
* see Materials and Finish

Materials and Finish

Housing:	PA-6T, glass filled (UL94V-0)
Shell:	Tin over Ni
Contacts:	Copper Alloy
Contact Plating:	Solder Terminal - Sn over Ni
Mating Area	- USB-A-003 = Au Flash over Ni
	- USB-A-003-30 = 30μ" Au over Ni



SMT Type



USB (Universal Serial Bus and IEEE1394)

Recommended PCB Layout

