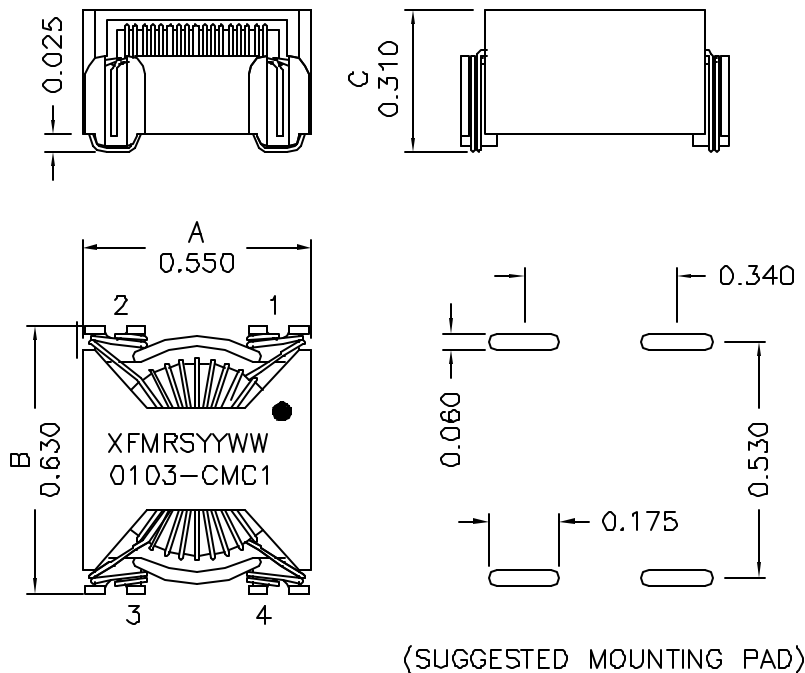


1. Mechanical Dimensions:



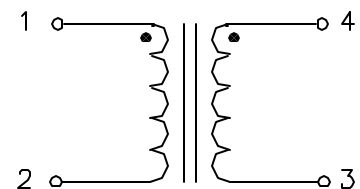
(SUGGESTED MOUNTING PAD)

Notes:

1. Solderability: Leads shall meet MIL-STD-202G, Method 208H for solderability.
2. Flammability: UL94V-0
3. ASTM oxygen index: > 28%
4. Insulation System: Class F 155°C. UL file E151556
5. Operating Temperature Range: All listed parameters are to be within tolerance from -40°C to +85°C
6. Storage Temperature Range: -55°C to +125°C
7. Aqueous wash compatible
8. SMD Lead Coplanarity: ±0.004*(0.102mm)
9. Electrical and mechanical specifications 100% tested
10. RoHS Compliant Component

DOC. REV: C/11

2. Schematic



3. Electrical Specification:

OCL: Pins 1-2 10mH±30% @10KHz 0.01V
 DCR: 0.450 Ohms Max, Each Wdg
 LL: Pins 1-2 30uH Min @100KHz 0.02V,
 Short Pins 3-4
 Rated Current: 1.0Arms
 Rated Voltage: 250Vac
 HIPOT: 3000Vac, Wdg to Wdg

PROPRIETARY Document is the property of XFMRS Group & is not allowed to be duplicated without authorization.

XFMRS Inc. www.XFMRS.com	Title: Common Mode Choke		
	UNLESS OTHERWISE SPECIFIED TOLERANCES:	P/N: XF0103-CMC1	REV. C
.xxx ±0.010 INCH	DWN.	Juan Mao	Apr-03-08
Dimensions in INCH	CHK.	YK Liao	Apr-03-08
SHEET 1 OF 1	APP.	BW	Apr-03-08