

**PLEASE CHECK WWW.MOLEX.COM FOR LATEST PART INFORMATION**

**Part Number:** [0358170270](#)  
**Status:** **Active**  
**Description:** 14.50mm (.570") Pitch MP-Lock™ Housing, 2 Circuits, for 4.75mm (.817") Tab, PBT Polyester, White

**Documents:**

[Drawing \(PDF\)](#) [RoHS Certificate of Compliance \(PDF\)](#)  
[Product Specification PS-35817-001 \(PDF\)](#)

**General**

Product Family Crimp Housings  
 Series [35817](#)  
 Product Name MP-Lock™

**Physical**

Circuits (maximum) 2  
 Gender Female  
 Glow-Wire Compliant No  
 Lock to Mating Part None  
 Number of Rows 1  
 Packaging Type Bag  
 Panel Mount No  
 Pitch - Mating Interface (in) 0.571 In  
 Pitch - Mating Interface (mm) 14.50 mm  
 Stackable Yes  
 Temperature Range - Operating -40°C to +120°C

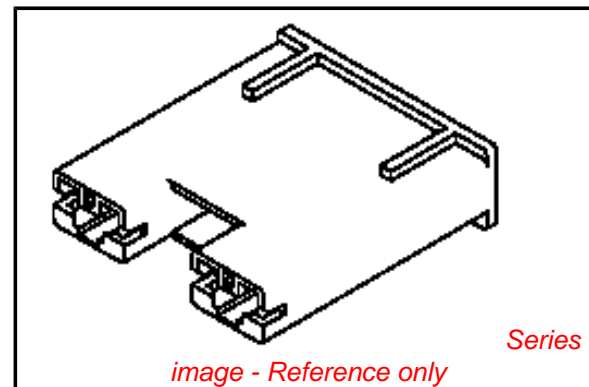
**Electrical**

Current - Maximum per Contact 12A

**Material Info**

**Reference - Drawing Numbers**

Product Specification PS-35817-001  
 Sales Drawing SD-35817-002



*image - Reference only*

**EU RoHS**

**ELV and RoHS Compliant**  
**REACH SVHC**  
 Not Reviewed  
**Halogen-Free Status**  
 Not Reviewed

**China RoHS**



**Need more information on product environmental compliance?**

Email [productcompliance@molex.com](mailto:productcompliance@molex.com)  
 For a multiple part number RoHS Certificate of Compliance, [click here](#)

Please visit the [Contact Us](#) section for any non-product compliance questions.

**Search Parts in this Series**  
[35817Series](#)

**Mates With**  
 Appliance Timer|Temperature Switch|  
 Appliance Capacitor|Appliance Heater

**Use With**  
[35068](#) Female Terminal

DO NOT SCALE DRAWING  
DIMENSION IN METRIC

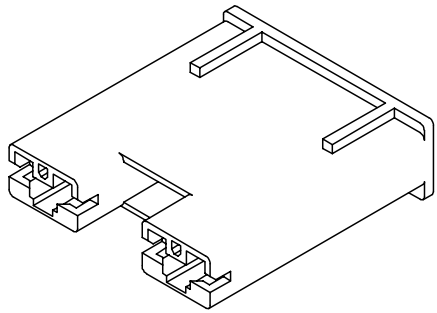
B

C

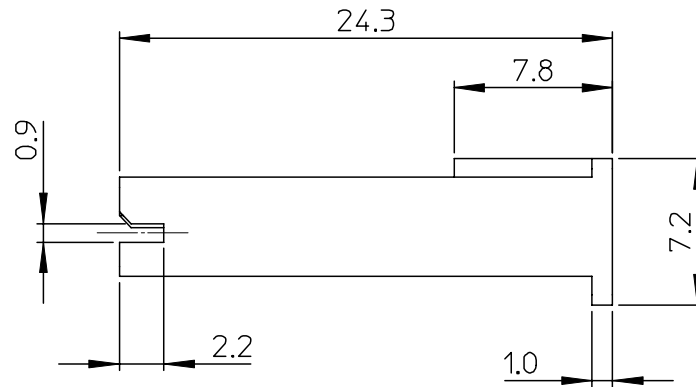
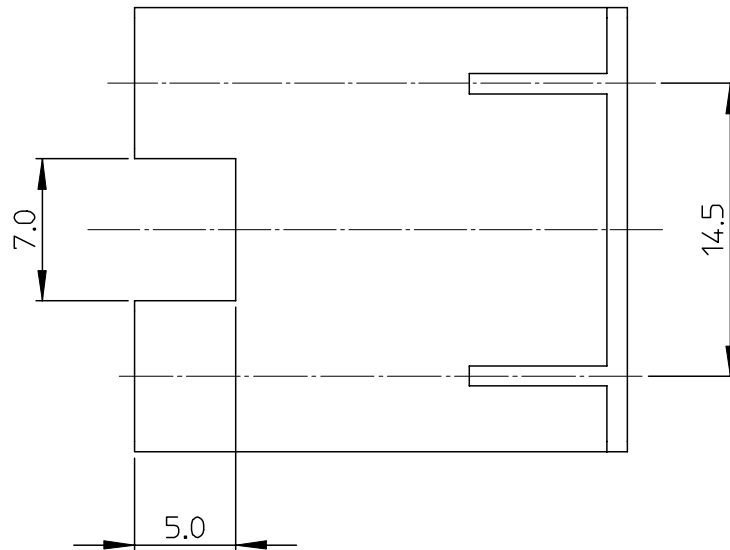
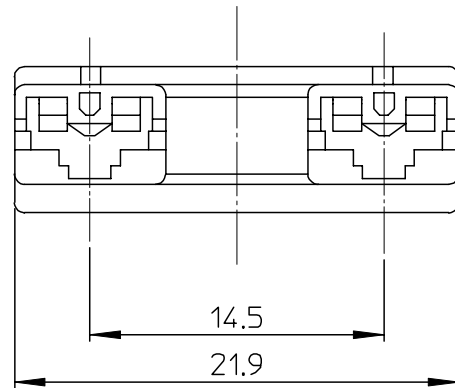
PROJECT NO.

SIMILAR ITEM

DWG. NO.  
SD-35817-002



ISOMETRIC VIEW

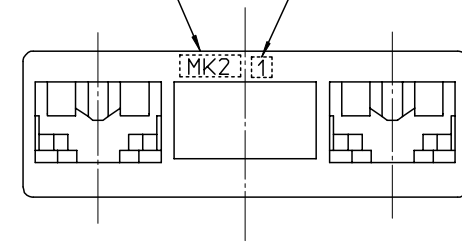


NOTES

- MATERIAL : POLYESTER(PBT)  
NATURAL COLOR : 35817-0270  
BLUE COLOR : 35817-0274
- APPLICABLE TERMINAL : 35068-9702/9802/9902

TRADE MARK  
(MK2)

CAVITY NO.



NEW RELEASED ECN NO.KOR2003-0060 DRWN: C.B.CHIN 03/06/03 CHK: W.Y.YANG APPR: C.W.LEE	DESCRIPTION REV	QUALITY SYMBOLS	GENERAL TOLERANCES: (UNLESS SPECIFIED)		SCALE 4:1	DESIGN UNITS <input checked="" type="checkbox"/> mm <input type="checkbox"/> INCH	<input checked="" type="checkbox"/> THIRD ANGLE <input type="checkbox"/> FIRST ANGLE PROJECTION	DIMENSIONS: <input type="checkbox"/> mm <input type="checkbox"/> INCH <input checked="" type="checkbox"/> mm ONLY	SHT REV	
		MAJOR = 0 CRITICAL = 0	mm	INCH	DRAWN BY & DATE C.B.CHIN 03/03/31	TITLE: .187 MP-LOCK HOUSING-2P(14.5mm PITCH) ( FOR CAPACITOR)			REVISE ON CAD ONLY	
			4 PLACES ±0.	±-	CHECKED BY & DATE W.Y.YANG 03/03/31		MOLEX INCORPORATED		A	
			3 PLACES ±0.	±-	APPROVED BY & DATE C.W.LEE 03/03/31					
			2 PLACES ±0.30	±-	CAD FILENAME S358170270.MI		MATERIAL NO. SEE NOTES	DRAWING NO. SD-35817-002	SHEET NO. 1 OF 1	
			1 PLACE ±0.30	±-	ANGULAR: ± °				SIZE B	
A		DRAFT WHERE APPLICABLE MUST REMAIN WITHIN DIMENSIONS		THIS DRAWING CONTAINS INFORMATION THAT IS PROPRIETARY TO MOLEX INCORPORATED AND SHOULD NOT BE USED WITHOUT WRITTEN PERMISSION.					KOREA	MX-A3